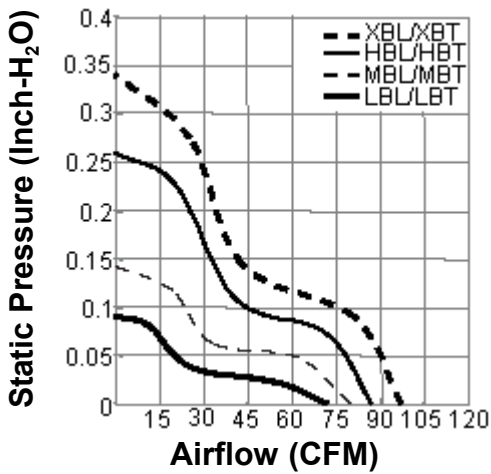


Axial Flow Fans

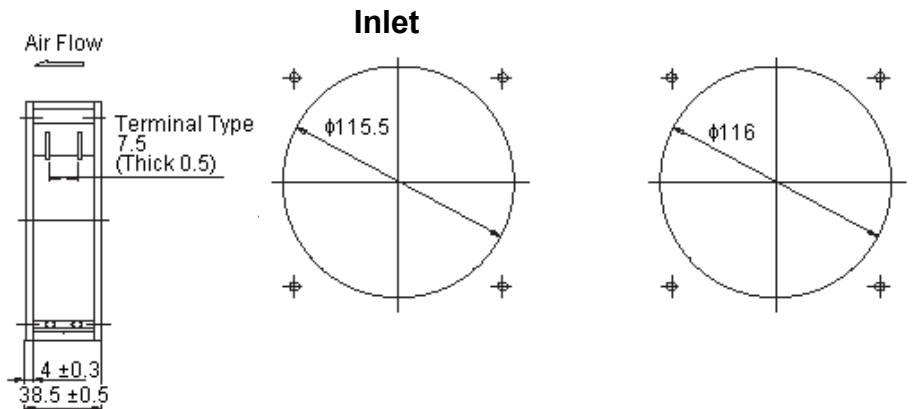
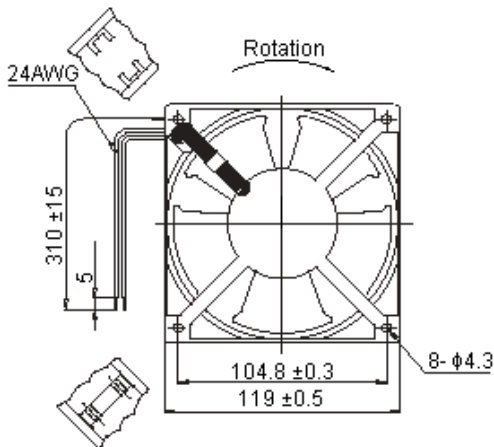
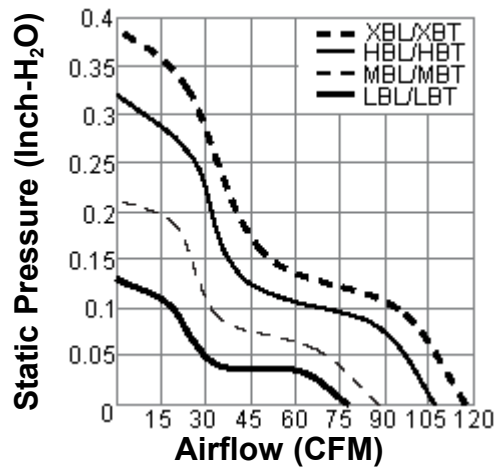
AC



Ball (50 Hz)



Ball (60 Hz)



Dimensions : Millimetres

Axial Flow Fans

AC



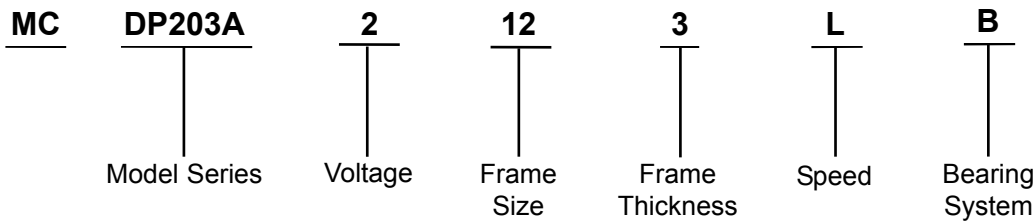
Specifications

Frame : Aluminum alloy
Bearing : Ball
Size : 120 × 120 × 38 mm

Specification Table

Rating Voltage (V ac)	Frequency (Hz)	Power Current (A)	Power Consumption (W)	Speed (RPM)	Air Flow (CFM)	Static Pressure (Inch-H ₂ O)	Noise (dBA)	Weight (g)	Part Number
230	50 / 60	0.06 / 0.05	10 / 10	2,150 / 2,300	72 / 78	0.09 / 0.13	37 / 39	550	MCDP203A 2123LBL.GN
		0.125 / 0.11	20 / 19	2,750 / 3,050	87 / 107	0.26 / 0.32	45 / 50	550	MCDP201A 2123HBL.GN

Part Number Explanation:



Model Series : MCDP203A and MCDP201A
Voltage : 2 = 220 to 240 V ac
Frame Size : 12 = 120 mm
Frame Thickness : 3 = 38 mm
Speed : L = Low and H = High
Bearing System : B = Ball
Terminals : L = Lead Wire

Important Notice : This data sheet and its contents (the "Information") belong to the members of the Premier Farnell group of companies (the "Group") or are licensed to it. No licence is granted for the use of it other than for information purposes in connection with the products to which it relates. No licence of any intellectual property rights is granted. The Information is subject to change without notice and replaces all data sheets previously supplied. The Information supplied is believed to be accurate but the Group assumes no responsibility for its accuracy or completeness, any error in or omission from it or for any use made of it. Users of this data sheet should check for themselves the Information and the suitability of the products for their purpose and not make any assumptions based on information included or omitted. Liability for loss or damage resulting from any reliance on the Information or use of it (including liability resulting from negligence or where the Group was aware of the possibility of such loss or damage arising) is excluded. This will not operate to limit or restrict the Group's liability for death or personal injury resulting from its negligence. Multicomp is the registered trademark of the Group. © Premier Farnell plc 2012.