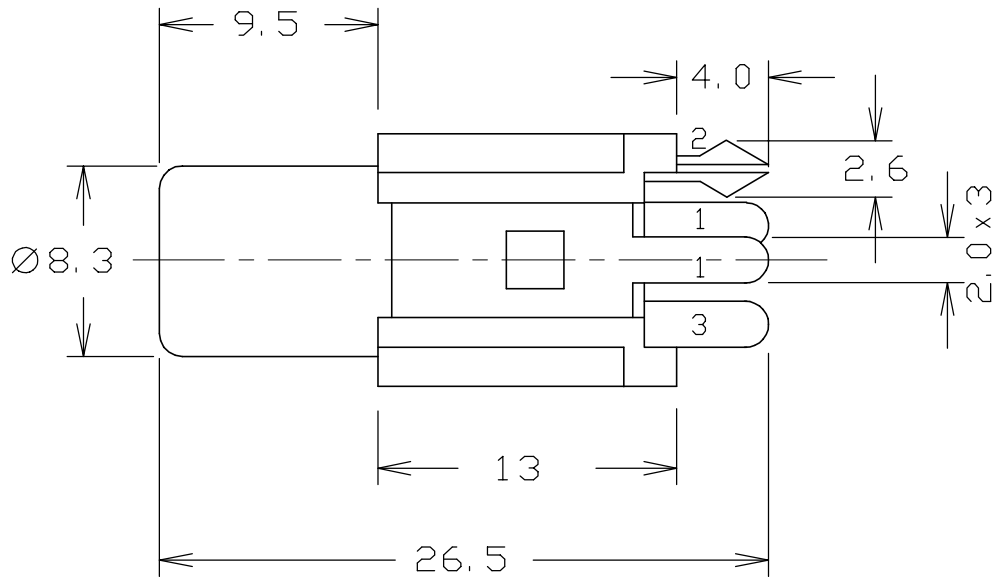
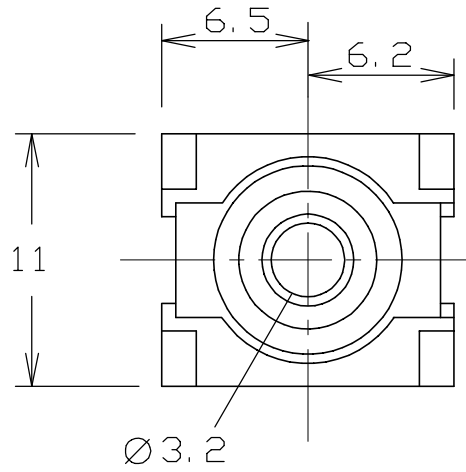
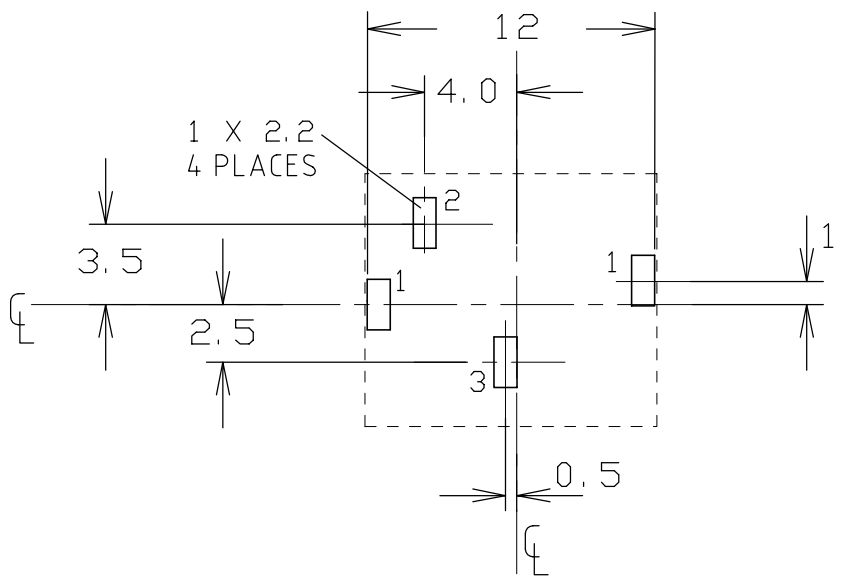


ISS.	AMEND	DATE
1	1st DRAWN	7/5/92
2	GOLD VAR ADD	25/4/03

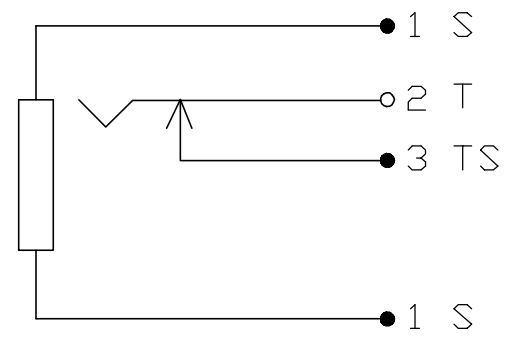


VARIANTS

COLOUR	P/No.	FINISH
BLACK	FC 68375	Ni
BLACK	FC 68375G	GOLD
WHITE	FC 68376	Ni
RED	FC 68377	Ni



SCHEMATIC



PC LAYOUT  
(CIRCUIT SIDE)

RoHS COMPLIANT	
TOLERANCE	
NO DEC. PLACE ± 0.50	
1 DEC. PLACE ± 0.20	
2 DEC. PLACE ± 0.10	
HOLE DIA. ± 0.10	
ANGLES ± 1/2°	
UNLESS OTHERWISE STATED	

DIMENSIONS IN MILLIMETERS UNLESS OTHER WISE STATED. WORK TO DIMENSIONS. DO NOT SCALE DRAWING. 3rd ANGLE PROJECTION. REMOVE ALL BURRS. IF IN DOUBT ASK.

WHERE USED F.R. SCALE N.T.S.

<b>Cliff Electronic Components Ltd.</b> 76 Holmethorpe Ave., Holmethorpe Ind. Estate, Redhill, Surrey, RH1 2PF, England Tel: 01737-771375 Fax: 01737-766012	MATERIAL	ABS / BRASS	LS-LP0839/3/C	TITLE	PC VERTICAL SWITCHED PHONO PHS 4B	
	FINISH	AS MOULDED / NI PLATEDB (OR GOLD)		DRWG. No.	FC68375	
	DRAWN	CAMJ	APPD.	RWT	FORM: A4DRWGH	