



Relays, Contactors & Switches > Switches > Tactile Switches



Actuator Style: **Round**

Operating Function: **NO**

Contact Base Material: **Stainless Steel**

Switch Contact Plating Material: **Silver**

Dust Proof: **No**

Features

Product Type Features

Product Type	Switch
Leg Style	Gull Wing
Illuminated	With
Actuator Style	Round
Dust Proof	No

Configuration Features

Tactile Feel	With
ESD Grounding Terminal	Without
Ganged	With
Tactile	Yes
Snap Action	Without
Operating Function	NO
Support Bracket	Without
Configuration (Pole-Throw)	Single Pole - Single Throw
Number of Actuators	1

Body Features

Cover Material	Stainless Steel
Case Color	Black
Actuator Force	260 g[9.178 oz]
Case Material	Nylon

Bushing Style	Unthreaded
Actuator Profile	Extended
Actuator Material	Silicone Rubber
Actuator Color	Red

Contact Features

Contact Base Material	Stainless Steel
Switch Contact Plating Material	Silver
Contact Current Rating	50 mA

Termination Features

Termination Type	Printed Circuit Board
------------------	-----------------------

Mechanical Attachment

Mounting Type	Surface Mount
Mounting Angle	Vertical

Housing Features

Low Profile	With
Process Sealed	No

Dimensions

Actuator Length	.8 mm[.031 in]
Button Width	1.87 mm[.074 in]
Switch Height	2.5 mm[.098 in]

Usage Conditions

Temperature Rating	Standard °C
--------------------	-------------

Packaging Features

Packaging Method	Tape & Reel
------------------	-------------

Other

Comment	(On) indicates momentary position.
---------	------------------------------------

Product Compliance

[For compliance documentation, visit the product page on TE.com>](#)

EU RoHS Directive 2011/65/EU	Compliant
EU ELV Directive 2000/53/EC	Compliant



China RoHS 2 Directive MIIT Order No 32, 2016	No Restricted Materials Above Threshold
EU REACH Regulation (EC) No. 1907/2006	Current ECHA Candidate List: JUL 2019 (201) Candidate List Declared Against: JAN 2019 (197) Does not contain REACH SVHC
EU REACH Regulation (EC) No. 1907/2006	Current ECHA Candidate List: JUL 2019 (201) Candidate List Declared Against: JAN 2019 (197)
Halogen Content	Low Halogen - Br, Cl, F, I < 900 ppm per homogenous material. Also BFR/CFR/PVC Free
Solder Process Capability	Reflow solder capable to 260°C

Product Compliance Disclaimer

This information is provided based on reasonable inquiry of our suppliers and represents our current actual knowledge based on the information they provided. This information is subject to change. The part numbers that TE has identified as EU RoHS compliant have a maximum concentration of 0.1% by weight in homogenous materials for lead, hexavalent chromium, mercury, PBB, PBDE, DBP, BBP, DEHP, DIBP, and 0.01% for cadmium, or qualify for an exemption to these limits as defined in the Annexes of Directive 2011/65/EU (RoHS2). Finished electrical and electronic equipment products will be CE marked as required by Directive 2011/65/EU. Components may not be CE marked. Additionally, the part numbers that TE has identified as EU ELV compliant have a maximum concentration of 0.1% by weight in homogenous materials for lead, hexavalent chromium, and mercury, and 0.01% for cadmium, or qualify for an exemption to these limits as defined in the Annexes of Directive 2000/53/EC (ELV). Regarding the REACH Regulations, TE's information on SVHC in articles for this part number is still based on the European Chemical Agency (ECHA) 'Guidance on requirements for substances in articles' (Version: 2, April 2011), applying the 0.1% weight on weight concentration threshold at the finished product level. TE is aware of the European Court of Justice ruling of September 10th, 2015 also known as O5A (Once An Article Always An Article) stating that, in case of 'complex object', the threshold for a SVHC must be applied to both the product as a whole and simultaneously to each of the articles forming part of its composition. TE has evaluated this ruling based on the new ECHA "Guidance on requirements for substances in articles" (June 2017, version 4.0) and will be updating its statements accordingly.

Compatible Parts



TE Model / Part # 1825910-6
FSM4JH=6MM TACT SWITCH, HIGH TEMP



TE Model / Part # 2-1825910-7
FSM14JH=6MM TACT SWITCH, HIGH TEMP

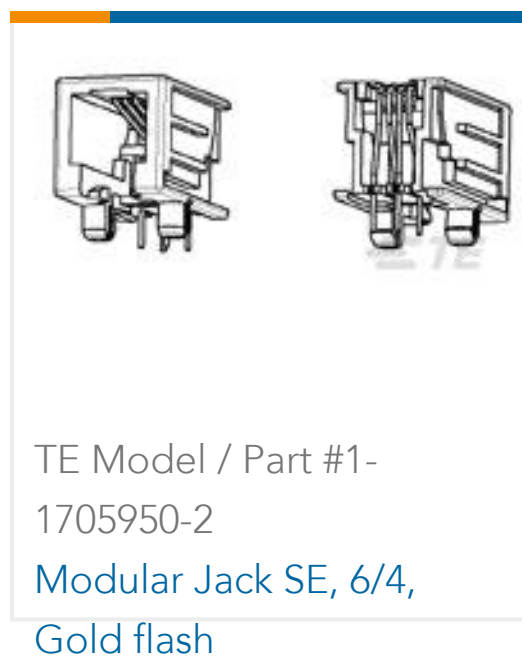


TE Model / Part # 4-1437565-2
FSM4JSMATR=TACT SWITCH 6X6MIL

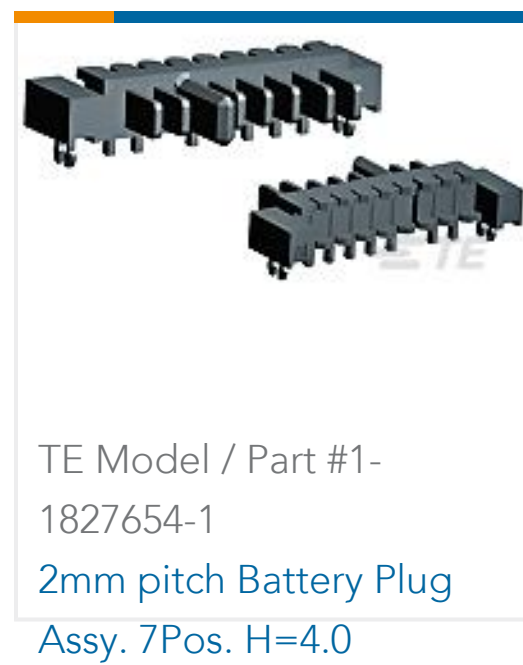


TE Model / Part # 3-1437565-0
FSM2JSMATR=ON T/R

Customers Also Bought



TE Model / Part #1-1705950-2
Modular Jack SE, 6/4,
Gold flash



TE Model / Part #1-1827654-1
2mm pitch Battery Plug
Assy. 7Pos. H=4.0



TE Model / Part #2176326-2
CRGP 0603 12R 1%



TE Model / Part #2199170-1
6 pins 1.6P 1.4H BtoB
connector



TE Model / Part #1977263-3
FSM1LPAS=ESD GND
SMD TACT SWITCH



TE Model / Part #2267072-1
PMS9P1B10M2RE



TE Model / Part #1622707-1
LR2 1% 1M0



TE Model / Part #9-1419125-2
SDT-S-109LMR,000



TE Model / Part #6-1437658-6
8PCV-16-006=#8 TRI-
BARRIER TER

Documents

Product Drawings

TACT,SMT,GULL WING,4X6MM,AG/PL

English

CAD Files

3D PDF

3D

Customer View Model

[ENG_CVM_CVM_1825086-2_A.2d_dxf.zip](#)

English

Customer View Model

[ENG_CVM_CVM_1825086-2_A.3d_igs.zip](#)

English

Customer View Model

[ENG_CVM_CVM_1825086-2_A.3d_stp.zip](#)

English

Datasheets & Catalog Pages

[SWITCHES_CORE_PROGRAM_CATALOG](#)



English