



Connectors > Rectangular Connectors > Rectangular Connector Hoods & Bases



Hood & Base Connector Product Type: **Base Housing**

Cable Entry Location: **Bottom**

Hood & Base Locking Device Type: **Locking**

Sealable: **Yes**

Circuit Application: **Power & Signal**

Features

Product Type Features

Product Size	1
Hood & Base Connector Product Type	Base Housing
Sealable	Yes

Body Features

Material	Die Cast Aluminum
Cable Entry Location	Bottom

Mechanical Attachment

Locking Device Location	Housing
Hood & Base Locking Device Type	Locking

Dimensions

Length	40 mm
--------	-------

Usage Conditions

Corrosion Protected	Yes
---------------------	-----

Operation/Application

Circuit Application	Power & Signal
---------------------	----------------

Packaging Features

Packaging Method	Box
------------------	-----



Product Compliance

[For compliance documentation, visit the product page on TE.com>](#)

EU RoHS Directive 2011/65/EU	Compliant
EU ELV Directive 2000/53/EC	Compliant
China RoHS 2 Directive MIIT Order No 32, 2016	No Restricted Materials Above Threshold
EU REACH Regulation (EC) No. 1907/2006	Current ECHA Candidate List: JAN 2021 (211) Candidate List Declared Against: JAN 2021 (211) Does not contain REACH SVHC
Halogen Content	Low Halogen - Br, Cl, F, I < 900 ppm per homogenous material. Also BFR/CFR/PVC Free
Solder Process Capability	Not reviewed for solder process capability

Product Compliance Disclaimer

This information is provided based on reasonable inquiry of our suppliers and represents our current actual knowledge based on the information they provided. This information is subject to change. The part numbers that TE has identified as EU RoHS compliant have a maximum concentration of 0.1% by weight in homogenous materials for lead, hexavalent chromium, mercury, PBB, PBDE, DBP, BBP, DEHP, DIBP, and 0.01% for cadmium, or qualify for an exemption to these limits as defined in the Annexes of Directive 2011/65/EU (RoHS2). Finished electrical and electronic equipment products will be CE marked as required by Directive 2011/65/EU. Components may not be CE marked. Additionally, the part numbers that TE has identified as EU ELV compliant have a maximum concentration of 0.1% by weight in homogenous materials for lead, hexavalent chromium, and mercury, and 0.01% for cadmium, or qualify for an exemption to these limits as defined in the Annexes of Directive 2000/53/EC (ELV). Regarding the REACH Regulation, the information TE provides on SVHC in articles for this part number is based on the latest European Chemicals Agency (ECHA) 'Guidance on requirements for substances in articles' posted at this URL: <https://echa.europa.eu/guidance-documents/guidance-on-reach>

Compatible Parts

 <p>TE Part # T1329030120-000 H3A-MTG-M20</p>	 <p>TE Part # T2010032201-000 HA-003-F</p>	 <p>TE Part # T1010032100-000 H3A-KDBP-NY150</p>
--	---	---

Also in the Series | [HDC IP65](#)



Rectangular Connector Hoods & Bases (1258)

Customers Also Bought



TE Part #2318136-6
TWO-PIECE POKE-IN HEADERS



TE Part #2318582-6
TWO-PIECE POKE-IN CONNECTORS



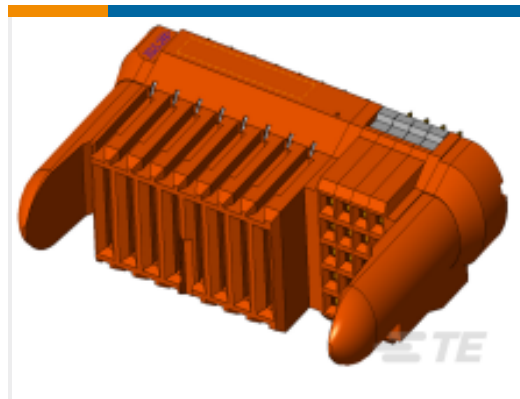
TE Part #YDTS26W25-37SD0000
D38999: Straight Plug, 25-37 Insert



TE Part #5-1634506-2
BNC Str PCB Skt 75Ohm Nickel Pltd 19.8



TE Part #1-1879127-7
RN 0402 280R 0.1% 10PPM 1K RL



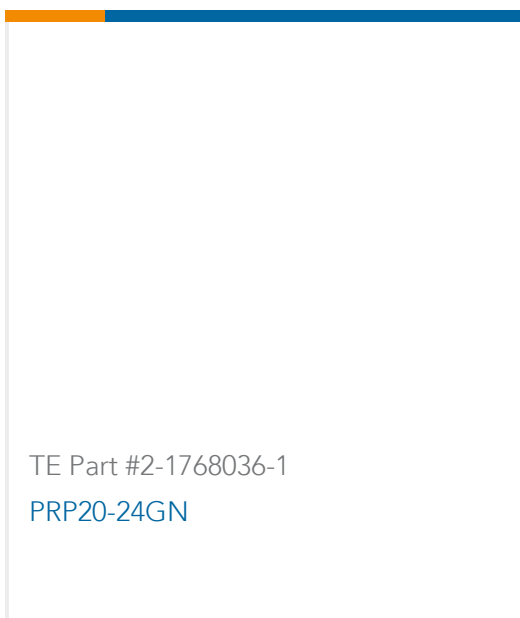
TE Part #1892787-9
Assy Vert MINIPAK HDL Rcpt 20s



TE Part #2334100-3
D-SUB CRIMP MALE 25 POS



TE Part #2-2176386-1
RQ 1206 20K 0.1% 10PPM 1K RL



TE Part #2-1768036-1
PRP20-24GN



TE Part #1106405-3
HA.3.STO.1.M20.G

Documents

Product Drawings

H3A-MAG

English

CAD Files

3D PDF

3D

Customer View Model

ENG_CVM_CVM_T1509030500-000_A.2d_dxf.zip



English

Customer View Model

[ENG_CVM_CVM_T1509030500-000_A.3d_igs.zip](#)

English

Customer View Model

[ENG_CVM_CVM_T1509030500-000_A.3d_stp.zip](#)

English

By downloading the CAD file I accept and agree to the [Terms and Conditions](#) of use.

Datasheets & Catalog Pages

[HEAVY DUTY CONNECTORS](#)

English

Product Specifications

[Application Specification](#)

English