

**DISPLAY Elektronik GmbH**

# DATA SHEET

**EPD MODULE**

**DEE 122250A-W**

**2,13"**

**E-Paper Display**

Product Specification

Ver.: 2

**18.12.2021**

<b>Version</b>	<b>Content</b>	<b>Date</b>	<b>Producer</b>
0	New Release	22.04.2021	JQ
1	Update Item 11 Typical Application Circuit with SPI Interface	08.11.2021	JQ
2	Update Item 14 Inspection Standard	18.12.2021	JQ

## CONTENTS

1	General Description .....	4
2	Features .....	4
3	Application.....	4
4	Mechanical Specification.....	4
4.1	Dimension.....	4
4.2	Mechanical Drawing of EPD Module .....	5
5	Input/output Pin Assignment .....	6
6	Electrical Characteristics .....	7
6.1	Absolute Maximum Rating .....	7
6.2	Panel DC Characteristics .....	8
6.3	Panel DC Characteristics(Driver IC Internal Regulators).....	9
6.4	Panel AC Characteristics .....	10
6.4.1	MCU Interface Selection .....	10
6.4.2	MCU Serial Interface (4-wire SPI).....	10
6.4.3	MCU Serial Interface (3-wire SPI).....	10
6.4.4	Interface Timing .....	12
7	Optical Specification.....	13
8	Handling, Safety, and Environment Requirements .....	14
9	Reliability Test.....	15
10	Block Diagram.....	16
11	Typical Application Circuit with SPI Interface .....	17
12	Inspection Standard .....	18

## 1 General Description

DEE 122250A-W is an Active Matrix Electrophoretic Display (AM EPD), with interface and a reference system design. The 2.13" active area contains 122x250 pixels. The module is a TFT-array driving electrophoretic display, with integrated circuits including gate buffer, source buffer, MCU interface, timing control logic, oscillator, DC-DC, SRAM, LUT, VCOM. Module can be used in portable electronic devices, such as Electronic Shelf Label (ESL) System.

## 2 Features

- ◆ 122×250pixels display
- ◆ White reflectance above 30%
- ◆ Contrast ratio above 8:1
- ◆ Ultra wide viewing angle
- ◆ Ultra low power consumption
- ◆ Pure reflective mode
- ◆ Bi-stable display
- ◆ Landscape, portrait modes
- ◆ Ultra Low current deep sleep mode
- ◆ On chip display RAM
- ◆ Waveform stored in On-chip OTP
- ◆ Serial peripheral interface available
- ◆ On-chip oscillator
- ◆ On-chip booster and regulator control for generating VCOM, Gate and Source driving voltage
- ◆ I<sup>2</sup>C signal master interface to read external temperature sensor

## 3 Application

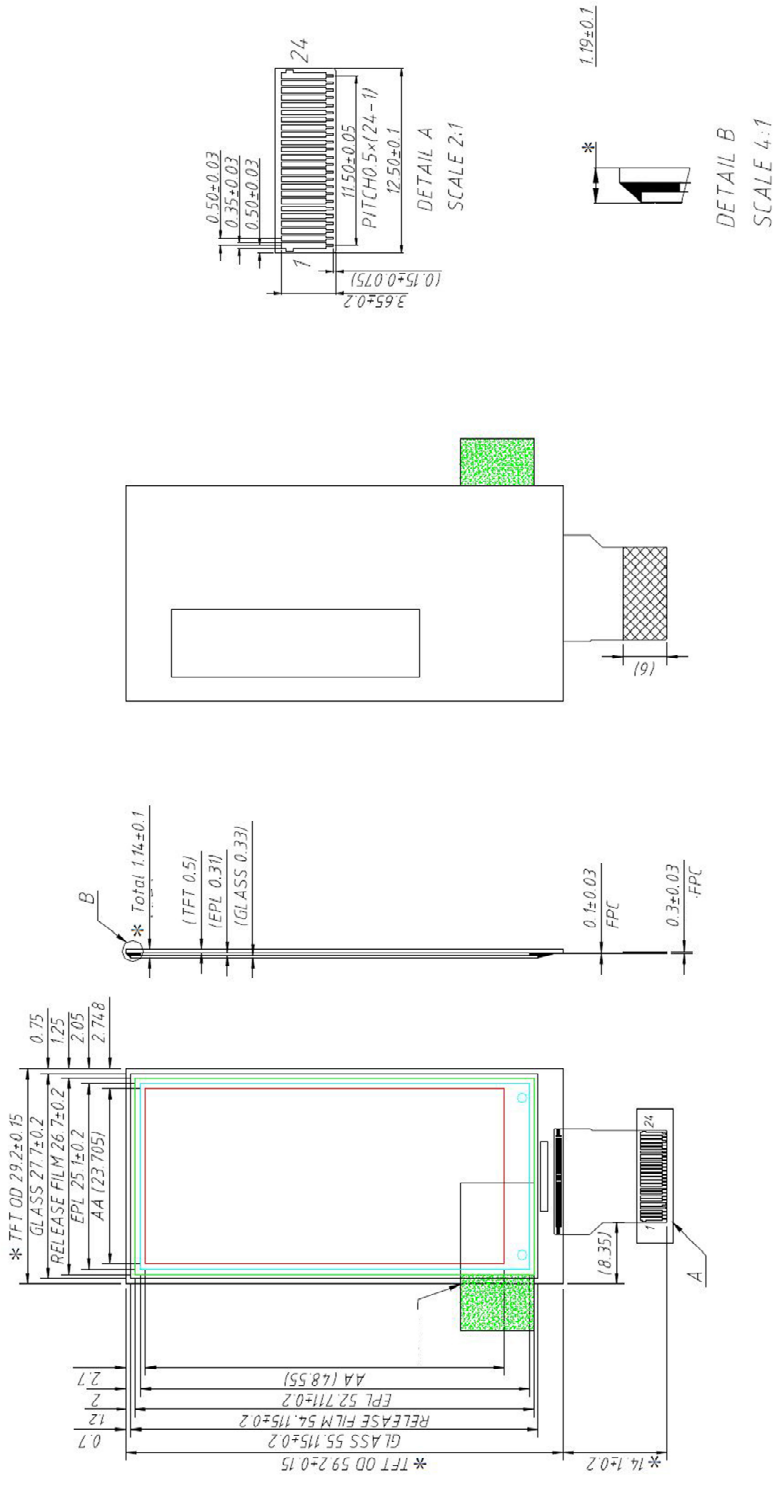
Electronic Shelf Label System

## 4 Mechanical Specification

### 4.1 Dimension

Parameter	Specifications	Unit
Screen Size	2.13	Inch
Display Resolution	122 x 250	Pixel
Active Area	23.7046 x 48.55	mm
Pixel Pitch	0.1943 x 0.1942	mm
Pixel Configuration	Rectangle	
Outline Dimension	29.20 x 59.20 x 1.14	mm
Weight	4.2	g

### 4.2 Mechanical Drawing of EPD Module



- NOTES:
1. Display mode 2.13" array for EPD; 2.13" RoHS
  2. Unspecified Tolerance  $\pm 0.20$ ;  $\pm 0.20$ ;
  3. Material conform to the RoHS standard;
  4. "Mark" \* "for control DIM, " ( ) "DIM does not need to be measured.

## 5 Input/output Pin Assignment

No.	Name	I/O	Description	Remark
1	NC	/	Do not connect with other NC pins	
2	GDR	O	N-Channel MOSFET Gate Drive Control	
3	RESE	I	Current Sense Input for the Control Loop	
4	NC	/	Do not connect with other NC pins	
5	VDHR	C	Positive Source driving voltage 1	
6	TSCL	O	I <sup>2</sup> C Interface to digital temperature sensor Clock pin	
7	TSDA	I/O	I <sup>2</sup> C Interface to digital temperature sensor Data pin	
8	BS	I	Bus Interface selection pin	Note 5-4
9	BUSYN	O	Busy state output pin	Note 5-3
10	RSTN	I	Reset signal input. Active Low.	
11	D/C	I	Data /Command control pin	Note 5-2
12	CSB	I	Chip select input pin	Note 5-1
13	SCL	I	Serial Clock pin (SPI)	
14	SDA	I	Serial Data pin (SPI)	
15	VDD	P	Power Supply for interface logic pins	
16	VDD	P	Power Supply for the chip	
17	VSS	P	Ground	
18	VDDD	C	Core logic power pin VDDD can be regulated internally from VDD. A capacitor should be connected between VDDD and VSS under all circumstances	
19	VPP	P	Power Supply for OTP Programming	
20	VSH	C	Positive Source driving voltage 2	
21	VGH	C	Positive Gate driving voltage	
22	VSL	C	Negative Source driving voltage	
23	VGL	C	Negative Gate driving voltage	
24	VCOM	C	VCOM driving voltage	

I = Input Pin, O =Output Pin, I/O = Bi-directional Pin (Input/Output), P = Power Pin, C = Capacitor Pin  
 Note 5-1: This pin is the chip select input connecting to the MCU. The chip is enabled for MCU communication only when CSB is pulled LOW.

Note 5-2: This pin is Data/Command control pin connecting to the MCU in 4-wire SPI mode. When the pin is pulled HIGH, the data at D1 will be interpreted as data. When the pin is pulled LOW, the data at D1 will be interpreted as command.

Note 5-3: This pin is Busy state output pin. When Busy is Low, the operation of chip should not be interrupted, command should not be sent, e.g., The chip would put Busy pin Low when

- Outputting display waveform
- Programming with OTP
- Communicating with digital temperature sensor

Note 5-4: Bus interface selection pin

BS State	MCU Interface
L	4-lines serial peripheral interface(SPI)
H	3- lines serial peripheral interface(SPI) - 9 bits SPI

## 6 Electrical Characteristics

### 6.1 Absolute Maximum Rating

Parameter	Symbol	Rating	Unit
Logic supply voltage	$V_{dd}$	-0.5 to +4.0	V
Logic Input voltage	$V_{IN}$	-0.5 to $V_{dd} + 0.5$	V
Logic Output voltage	$V_{OUT}$	-0.5 to $V_{dd} + 0.5$	V

Note: Maximum ratings are those values beyond which damages to the device may occur. Functional operation should be restricted to the limits in the Panel DC Characteristics tables.

## 6.2 Panel DC Characteristics

The following specifications apply for: VSS=0V, VDD=3.0V, T<sub>OPR</sub> =25°C.

Parameter	Symbol	Condition	Applicable pin	Min.	Typ.	Max.	Unit
Logic supply voltage	V <sub>dd</sub>	-	VDD	2.4	3.0	3.6	V
High level input voltage	V <sub>IH</sub>	-	-	0.8 V <sub>dd</sub>	-	-	V
Low level input voltage	V <sub>IL</sub>	-	-	-	-	0.2 V <sub>dd</sub>	V
High level output voltage	V <sub>OH</sub>	IOH = -100uA	-	0.9 V <sub>dd</sub>	-	-	V
Low level output voltage	V <sub>OL</sub>	IOL = 100uA	-	-	-	0.1 V <sub>dd</sub>	V
OTP Program voltage	V <sub>PP</sub>	-	VPP	-	7.5	-	V
Typical power panel	P <sub>TYP</sub>	-	-	-	12	30	mW
Deep sleep mode	P <sub>STPY</sub>	-	-	-	3	-	uW
Typical operating current	Iopr_VDD	V <sub>dd</sub> =3.0V-	-	-	4.0	10	mA



Sleep mode current	Islp_VDD	VDD=3.0V DC/DC OFF No clock No output load Ram data retain	VDD	-	20	--	uA
Deep sleep mode current	IdslpVDD	VDD=3.0V DC/DC OFF No clock No output load Ram data not retain	VDD	-	1	--	uA
Operation temperature range	T <sub>OPR</sub>	-	-	0	-	50	°C
Operation illuminance intensity	E	indoor only	-	-	-	2000	lux
Storage temperature range	T <sub>STG</sub>	-	-	-25	-	60	°C
Storage relative humidity	RHst	-	-	30	-	60	%RH

Notes: 1. The typical power is measured with following transition: from horizontal 2 gray scale pattern to vertical 2 gray scale pattern. (Figure 10-2)

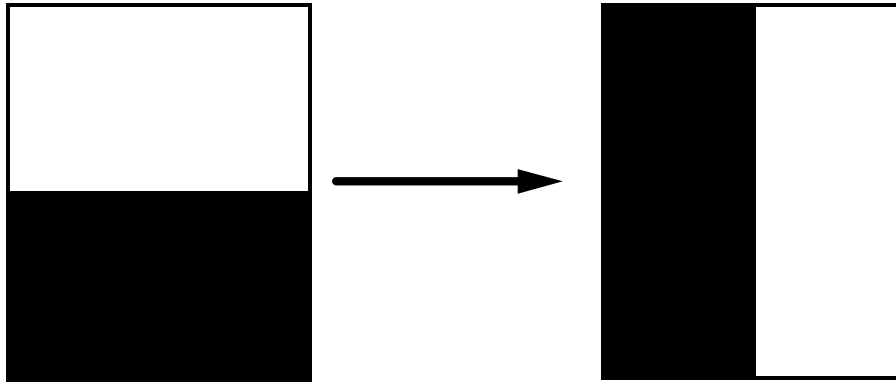


Figure 10-2 The typical power consumption measure pattern

2. The deep sleep power is the consumed power when the panel controller is in deep sleep mode.
3. The listed electrical/optical characteristics are only guaranteed under the controller & waveform provided by OED.

### 6.3 Panel DC Characteristics(Driver IC Internal Regulators)

The following specifications apply for: VSS=0V, VDD =3.0V, T<sub>OPR</sub> =25°C.

Parameter	Symbol	Condition	Applicable pin	Min.	Typ.	Max.	Unit
VCOM output voltage	VCOM	-	VCOM	-3.0	-	-0.2	V
Positive Source output voltage	V <sub>SH</sub>	-		+14.5	+15	+15.5	V
Negative Source output voltage	V <sub>SL</sub>	-		-15.5	-15	-14.5	V
Positive gate output voltage	V <sub>gh</sub>	-		+21	+22	+23	V
Negative gate output voltage	V <sub>gl</sub>	-		-21	-20	-19	V

## 6.4 Panel AC Characteristics

### 6.4.1 MCU Interface Selection

MCU interface consist of 2 data/command pins and 3 control pins. The pin assignment at different interface mode is summarized in Table 10-4-1. Different MCU mode can be set by hardware selection on BS pins. The display panel only supports 4-wire SPI or 3-wire SPI interface mode.

Pin Name	Data/Command Interface		Control Signal		
	SDA	SCL	CSB	D/C	RSTN
4-wire SPI	SDIN	SCLK	CSB	D/C	RSTN
3-wire SPI	SDIN	SCLK	CSB	L	RSTN

Table 10-4-1: MCU interface assignment under different bus interface mode

### 6.4.2 MCU Serial Interface (4-wire SPI)

The serial interface consists of serial clock SCLK, serial data SDIN, D/C, CSB. In 4-wire SPI mode, SCL acts as SCLK, SDA acts as SDIN.

Function	CSB	D/C	SCLK
Write command	L	L	↑
Write data	L	H	↑

Note: ↑ stands for rising edge of signal

Table10-4-2: Control pins of 4-wire Serial interface

SDIN is shifted into an 8-bit shift register on every rising edge of SCLK in the order of D7, D6, ... D0. D/C is sampled on every eighth clock and the data byte in the shift register is written to the Graphic Display Data RAM (RAM) or command register in the same clock.

Under serial mode, only write operations are allowed.

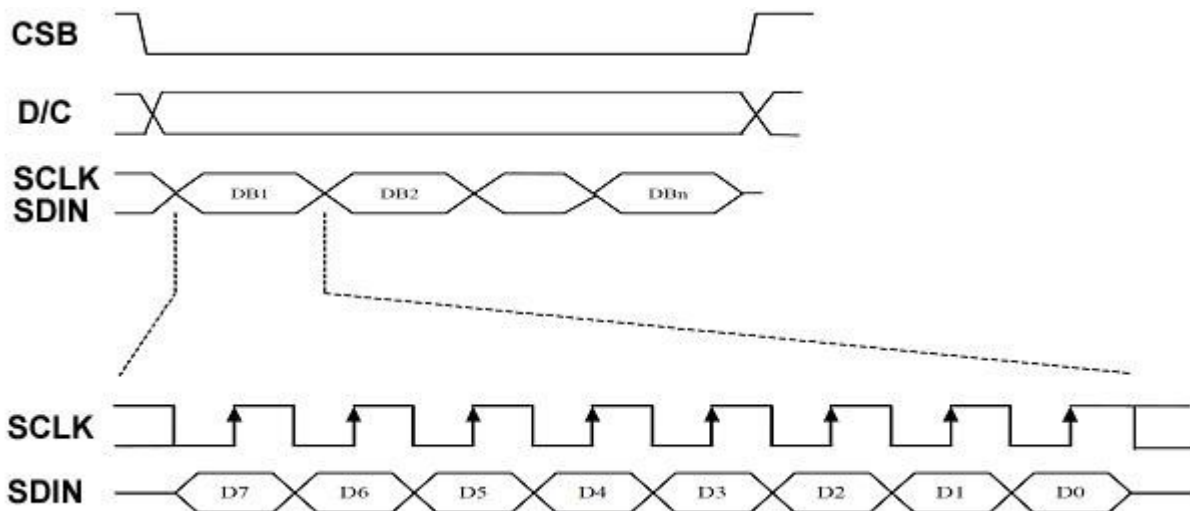


Figure 10-4-2: Write procedure in 4-wire SPI mode

### 6.4.3 MCU Serial Interface (3-wire SPI)

The 3-wire serial interface consists of serial clock SCLK, serial data SDIN and CSB. In 3-wire SPI mode, SCL acts as SCLK, SDA acts as SDIN.

The operation is similar to 4-wire serial interface while D/C pin is not used. There are altogether 9-bits will be shifted into the shift register on every ninth clock in sequence: D/C bit, D7 to D0 bit. The D/C bit (first bit of the sequential data) will determine the following data byte in the shift register is written to the Display Data RAM (D/C bit = 1) or the command register (D/C bit = 0).

Under serial mode, only write operations are allowed.

Function	CSB	D/C	SCLK
Write command	L	Tie	↑
Write data	L	LOW/Tie	↑

Note: ↑ stands for rising edge of signal <sup>LOW</sup>

Table 10-4-3: Control pins of 3-wire Serial interface

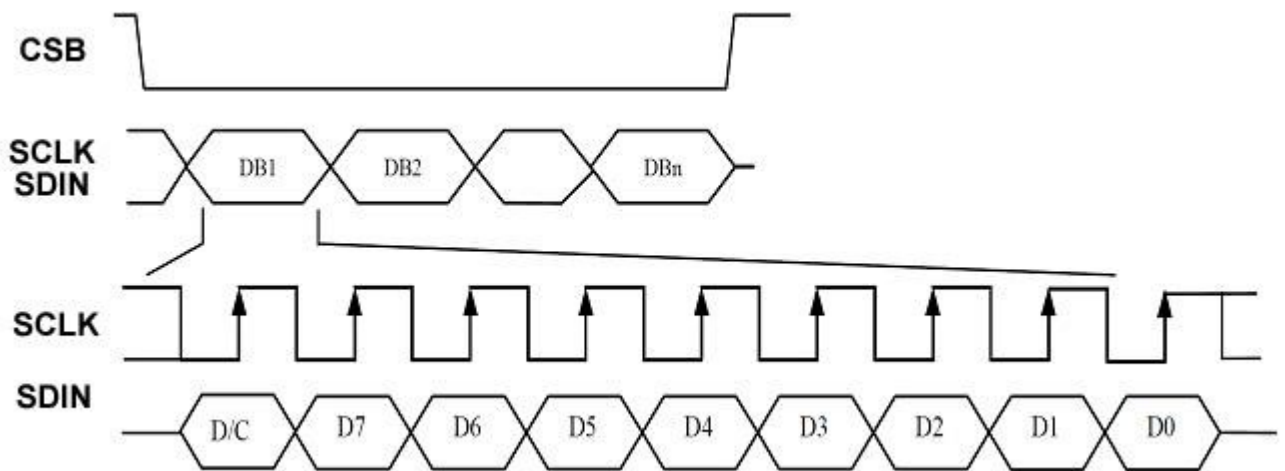


Figure 10-4-3: Write procedure in 3-wire SPI mode

6.4.4 Interface Timing

The following specifications apply for: VSS=0V, VDD =3.0V, T<sub>OPR</sub> =25°C.

Symbol	Parameter	Test Condition	Applicable pin	Min.	Typ.	Max.	Unit
Fosc	Internal Oscillator frequency	VDD =2.4 to 3.3V	CL	0.95	1	1.05	MHz

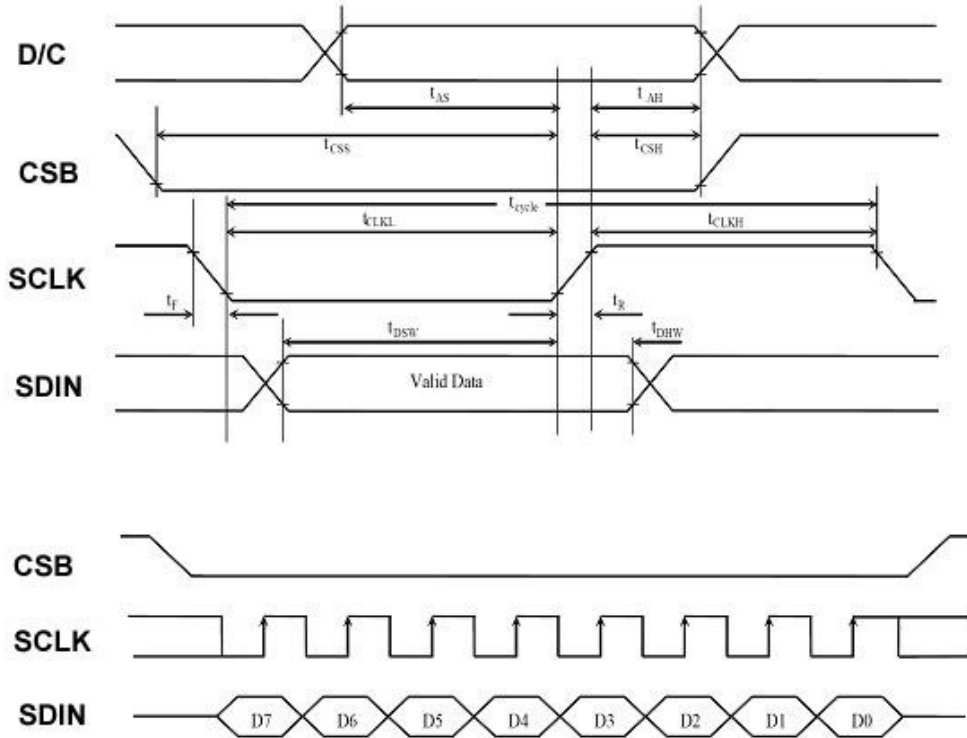


Figure 10-4-4: Serial interface characteristics

(V<sub>dd</sub> - V<sub>SS</sub> = 2.4V to 3.3V, T<sub>OPR</sub> = 25°C, CL=20pF)

Symbol	Parameter	Min.	Typ.	Max.	Unit
t <sub>cycle</sub>	Clock Cycle Time	250	-	-	ns
t <sub>AS</sub>	Address Setup Time	150	-	-	ns
t <sub>AH</sub>	Address Hold Time	150	-	-	ns
t <sub>CSS</sub>	Chip Select Setup Time	120	-	-	ns
t <sub>CSH</sub>	Chip Select Hold Time	60	-	-	ns
t <sub>DSW</sub>	Write Data Setup Time	50	-	-	ns
t <sub>DHW</sub>	Write Data Hold Time	15	-	-	ns
t <sub>CLKL</sub>	Clock Low Time	100	-	-	ns
t <sub>CLKH</sub>	Clock High Time	100	-	-	ns
t <sub>R</sub>	Rise Time [20% ~ 80%]	-	-	15	ns
t <sub>F</sub>	Fall Time [20% ~80%]	-	-	15	ns

Table 10-4-4: Serial Interface Timing Characteristics

## 7 Optical Specification

Measurements are made with that the illumination is under an angle of 45 degrees, the detection is perpendicular unless otherwise specified.

Symbol	Parameter	Conditions	Values			Units	Notes
			Min.	Typ.	Max		
R	White Reflectivity	White	30	35	-	%	11-1
CR	Contrast Ratio		8:1	10:1	-	-	11-2
White $\Delta$ L 24h	Reduce		-	$\leq 4$	-	-	-
T <sub>update</sub>	Image update time	at 25 °C	-	3300	-	ms	-

Notes: 11-1. Luminance meter: Eye-One Pro Spectrophotometer.

11-2. CR=Surface Reflectance with all white pixel/Surface Reflectance with all black pixels.

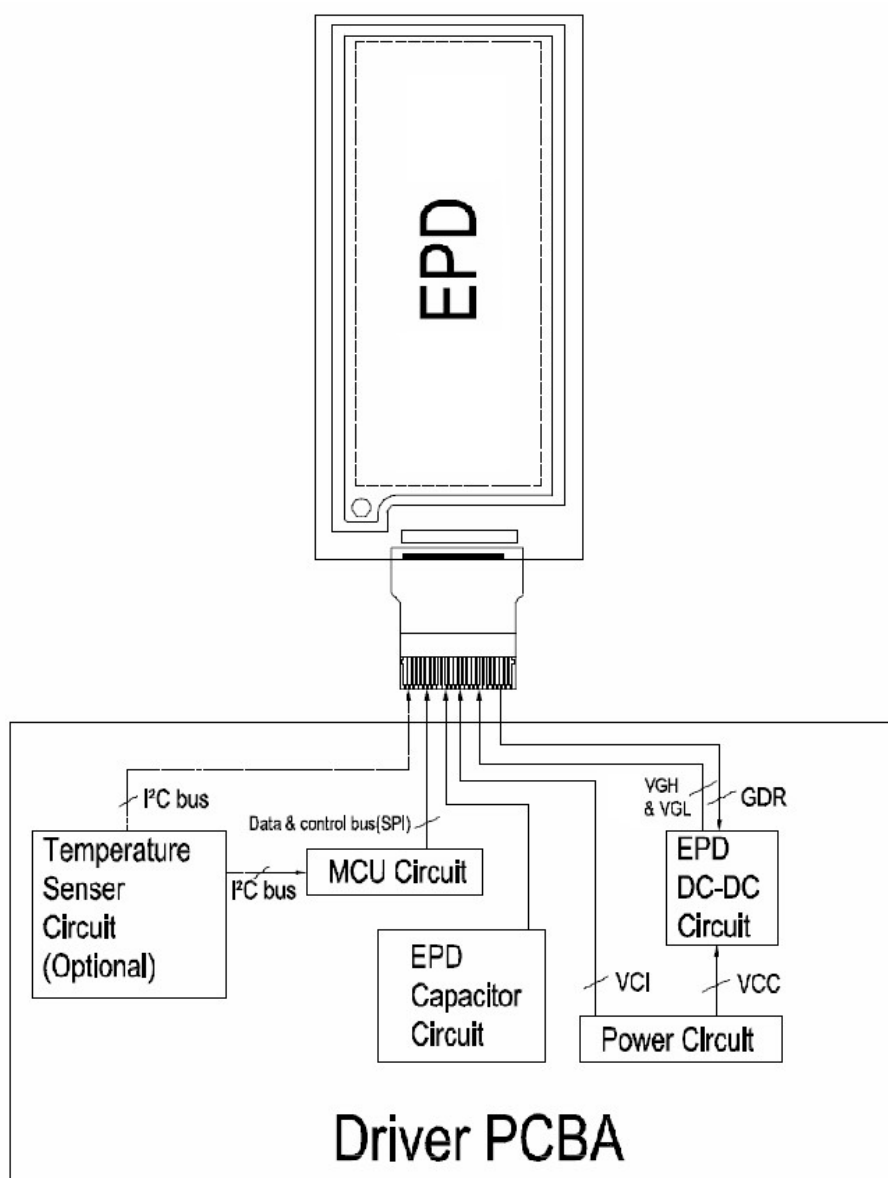
## 8 Handling, Safety, and Environment Requirements

1. The EPD Panel / Module is manufactured from fragile materials such as glass and plastic, and may be broken or cracked if dropped. Please handle with care. Do not apply force such as bending or twisting to the EPD panel
2. The display module should not be exposed to harmful gases, such as acid and alkali gases, which corrode electronic components.
3. Do not apply pressure to the EPD panel in order to prevent damaging it
4. Do not connect or disconnect the interface connector while the EPD panel is in operation
5. Do not stack the EPD panels / Modules.
6. Keep the EPD Panel / Module in the specified environment and original packing boxes when storage in order to avoid scratching and keep original performance.
7. Do not disassemble or reassemble the EPD panel
8. Use a soft dry cloth without chemicals for cleaning. Please don't press hard for cleaning because the surface of the protection sheet film is very soft and without hard coating. This behavior would make dent or scratch on protection sheet
9. Please be mindful of moisture to avoid its penetration into the EPD panel, which may cause damage during operation
10. It's low temperature operation product. Please be mindful the temperature different to make frost or dew on the surface of EPD panel. Moisture may penetrate into the EPD panel because of frost or dew on surface of EPD panel, and makes EPD panel damage.
11. High temperature, high humidity, sunlight or fluorescent light may degrade the EPD panel's performance. Please do not expose the unprotected EPD panel to high temperature, high humidity, sunlight, or fluorescent for long periods of time. Please store the EPD panel in controllable environment of warehouse and original package. Without sunlight, without condensation a temperature range of 15°C to 35°C, and humidity from 30%RH to 60%RH.

## 9 Reliability Test

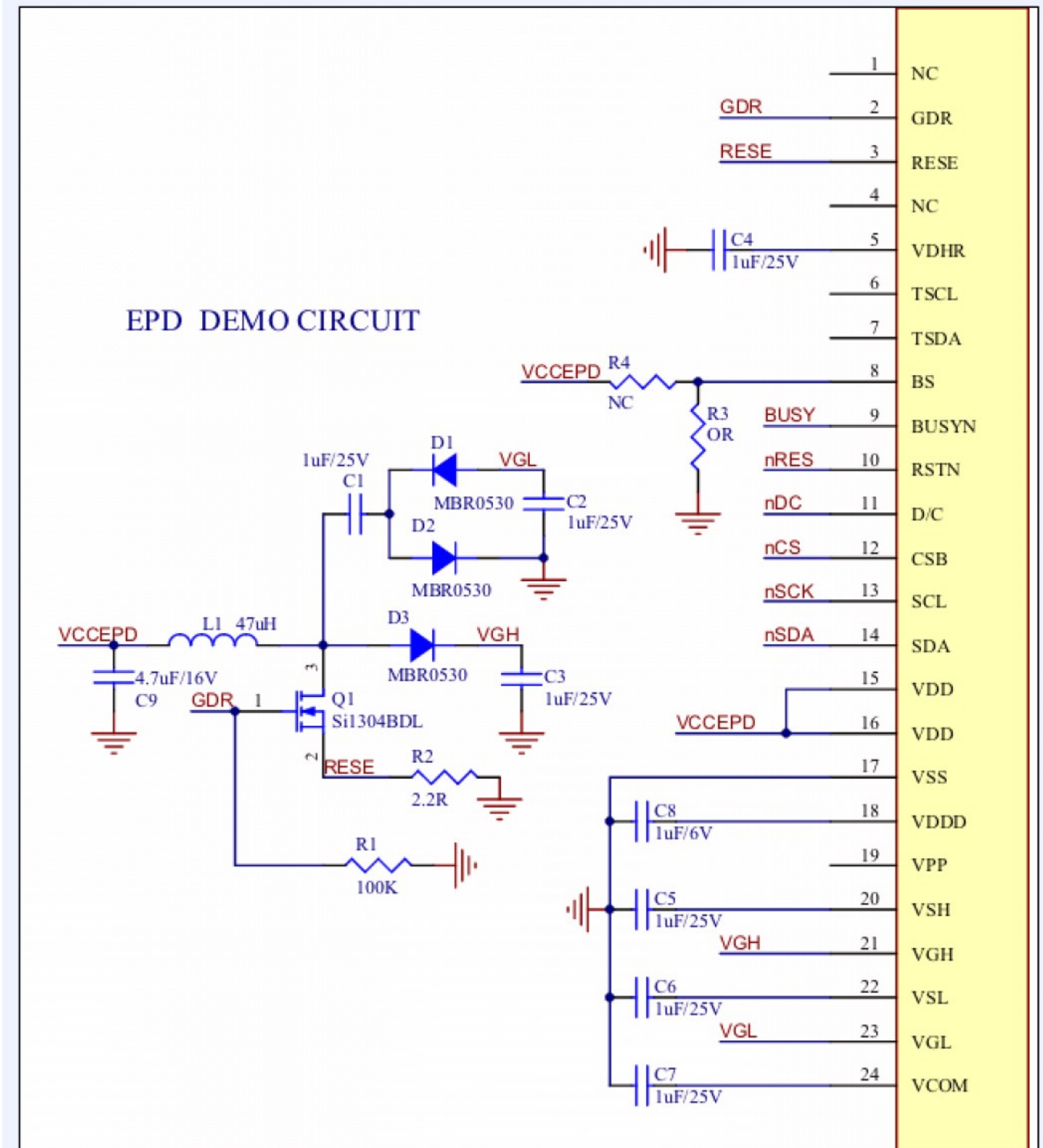
No.	Test	Condition	Method	Remark
1	HighTemperature Operation	T = +50°C, RH = 30% for 240 hrs	IEC 60 068-2-2Bp	At the end of the test, electrical, mechanical, and optical specifications shall be satisfied.
2	Low-Temperature Operation	T = 0°C for 240 hrs	IEC 60 068-2-2Ab	At the end of the test, electrical, mechanical, and optical specifications shall be satisfied.
3	High-Temperature Storage	T = +70°C, RH=23% for 240 hrs	IEC 60 068-2-2Bp	At the end of the test, electrical, mechanical, and optical specifications shall be satisfied.
4	Low-Temperature Storage	T = -25°C for 240 hrs	IEC 60 068-2-1Ab	At the end of the test, electrical, mechanical, and optical specifications shall be satisfied.
5	High-Temperature, HighHumidity Operation	T = +40°C, RH = 90% for 168 hrs	IEC 60 068-2-3CA	At the end of the test, electrical, mechanical, and optical specifications shall be satisfied.
6	High Temperature, High- Humidity Storage	T = +60°C, RH=80% for 240hrs	IEC 60 068-2-3CA	At the end of the test, electrical, mechanical, and optical specifications shall be satisfied.
7	Thermal Shock	1 cycle:[-25°C 30min]→[+70 °C 30 min] : 100 cycles	IEC 60 068-2-14	At the end of the test, electrical, mechanical, and optical specifications shall be satisfied.
8	Package Vibration	1.04G, Frequency: 10~500Hz Direction: X,Y,Z Duration: 1 hours in each direction	Full packed for shipment	At the end of the test, electrical, mechanical, and optical specifications shall be satisfied.
9	Package Drop Impact	Drop from height of 122 cm on concrete surface. Drop sequence: 1 corner, 3edges, 6 faces One drop for each	Full packed for shipment	At the end of the test, electrical, mechanical, and optical specifications shall be satisfied.
10	Electrostatic Effect (nonoperating)	Machine model +/- 250V, 0Ω, 200pF	IEC 62179, IEC 62180	At the end of the test, electrical, mechanical, and optical specifications shall be satisfied.

### 10 Block Diagram





### 11 Typical Application Circuit with SPI Interface



## 14 Inspection Standard

### 14.1 Appearances Inspection Standard

#### 14.1.1 Appearances Specification

This appearance inspection shall be applied to segment EPD modules.

#### 14.1.2 Inspection Conditions

Viewing Angle:  $\alpha = \pm 45^\circ$

Viewing Distance: 30cm $\pm$ 10cm

Ambient Luminance: 700~1000 Lux.

Supply Voltage: Typical value described on the Electrical Characteristics

Environment Ambient Temperature: 20°C~25°C

Environment Ambient Humidity: 40~70%RH

ESD should be controlled within  $\pm 200V$

#### 14.1.3 Inspection Level: Level II

Sampling table: GB/T 2828.1-2012 II, unless otherwise agreed in writing.

#### 14.1.4 Acceptance Quality Level (AQL)

Major Defect: 0.65 , Minor Defect: 1.5

#### 14.1.5 Classification of Defects

Defects are classified as either a major or a minor defect defined as below.

Major Defect :It is a defect that is likely to result in failure or to reduce materially the usability of the product for the intended function.

Minor Defect :It is a defect that will not result in functioning problem with deviation classified.

## 14.2 Quality Criteria

## 14.2.1 Zone Definitions

A Zone: EPD Active Area (not including border)

B Zone: Out of Active Area

## 14.2.2 Appearances Criteria

As shown in the tables below. If any other items, standard values or applicable zones are required to be defined, a written agreement shall be signed, and otherwise a limited sample shall be made for reference.

**Major Defects:**

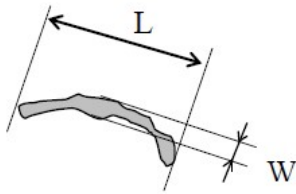
Item	Description	Classification
No Display	No display shown on screen due to malfunction	Major
Line Missing	Line missing	Major
Abnormal Display	Unusual pattern or function displayed	Major
TFT Broken	TFT broken by external force	Major

**Minor Defects:**

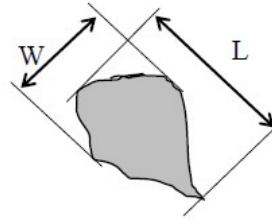
Item		Criteria	Specific Zone	
Name	Description		A Zone	B Zone
Dot defect	Spot/ Air bubble/ Foreign material in dot shape	$D \leq 0.30\text{mm}$	Ignore	Ignore
		$0.30\text{mm} < D \leq 0.50\text{mm}$	$\leq 5$	
		$D > 0.50\text{mm}$	0	
Line defect	Scratch on top surface/ Foreign material in line or spiral shape	$L \leq 1.0 \text{ mm} , W \leq 0.15\text{mm}$	Ignore	Ignore
		$1.0\text{mm} < L \leq 5.0\text{mm} \&$ $0.15\text{mm} < W \leq 0.5\text{mm}$	$\leq 4$	
		$L > 5.0\text{mm}$ or $W > 0.5\text{mm}$	0	
Chipping	Corner chip	Not affect the display, not have diffuse or comminuted cracks		
	Edge chip			
Curl	Curl for Panel	$\leq 1.0 \text{ mm}$		

**Remarks:**

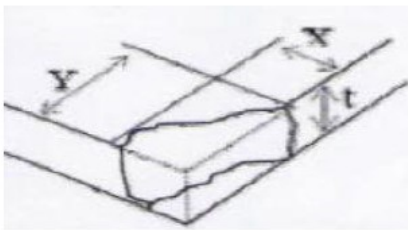
Definitions of “line” and “dot”:



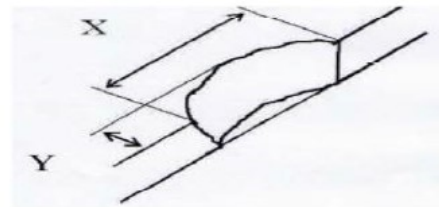
a. Line



b. Dot

When  $L \leq 0.5\text{mm}$  or  $L < 4W$ , defined as a dot. Definitions of “Chipping”:

c. Corner chip



d. Edge chip