



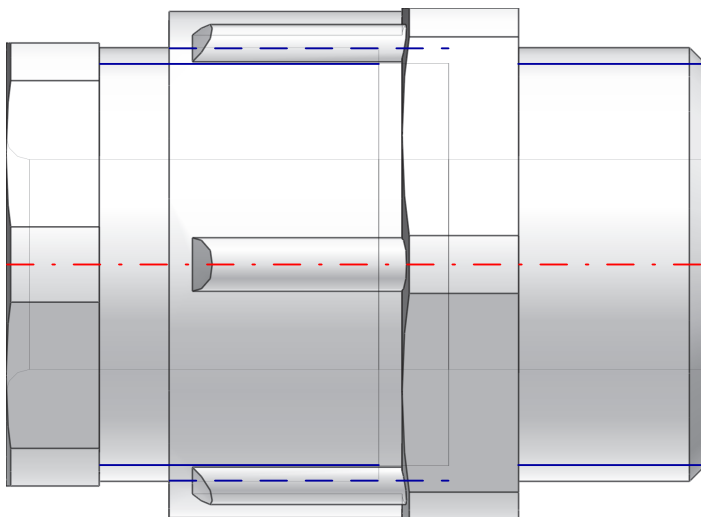
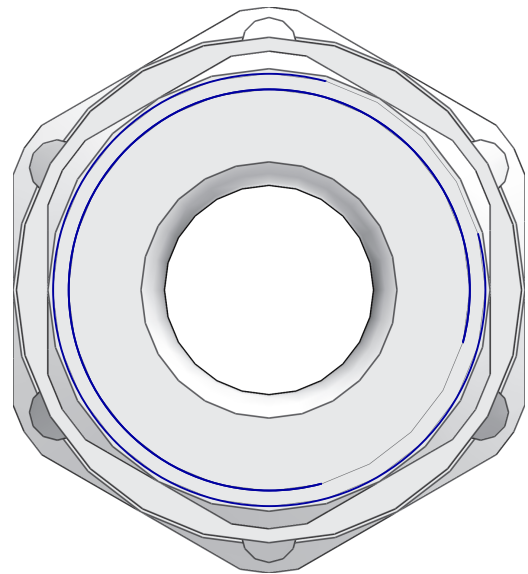
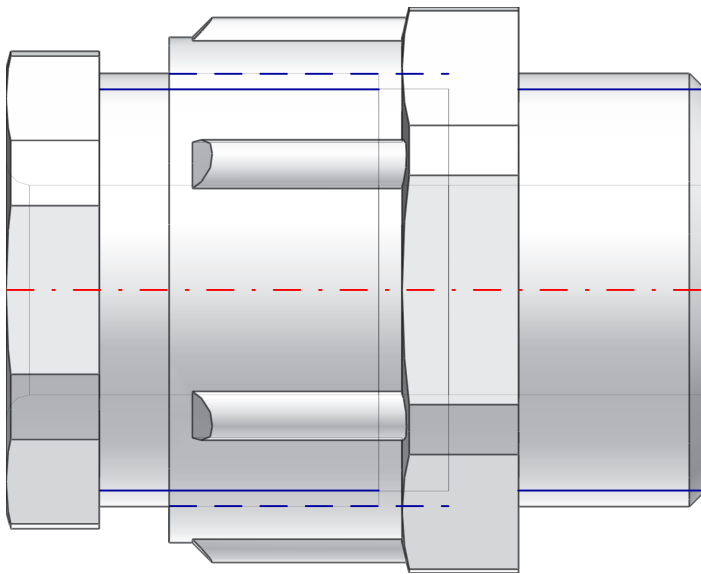
**Miscellaneous cable glands**  
DIN 46320-A-FS with Seal ring No. 6 PG

**PDF DATASHEET**

© 1992-2013 CADENAS GmbH

Last Modification (geometry): 25 Jul 2012 10:11:21

Datasheet creation date: 23 Dez 2013 09:58:06





<b>AG (Thread)</b>	PG 11
<b>D1 ( / mm)</b>	6-9
<b>GL ( / mm)</b>	8
<b>H ( / mm)</b>	22
<b>SW ( / mm)</b>	22/19
<b>DT (Operating Temperature)</b>	-20 °C - 60 °C
<b>BN (Order No.)</b>	1.201.1100.10



## Stückliste

N°	Description	Amount
1	DIN 46320-A-FS mit Dichtring Nr. 6 1.201.1100.10	1