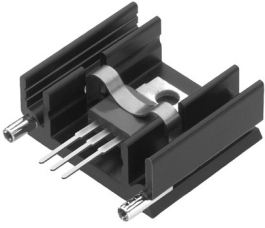


Data sheet Product SK 145 50 STC

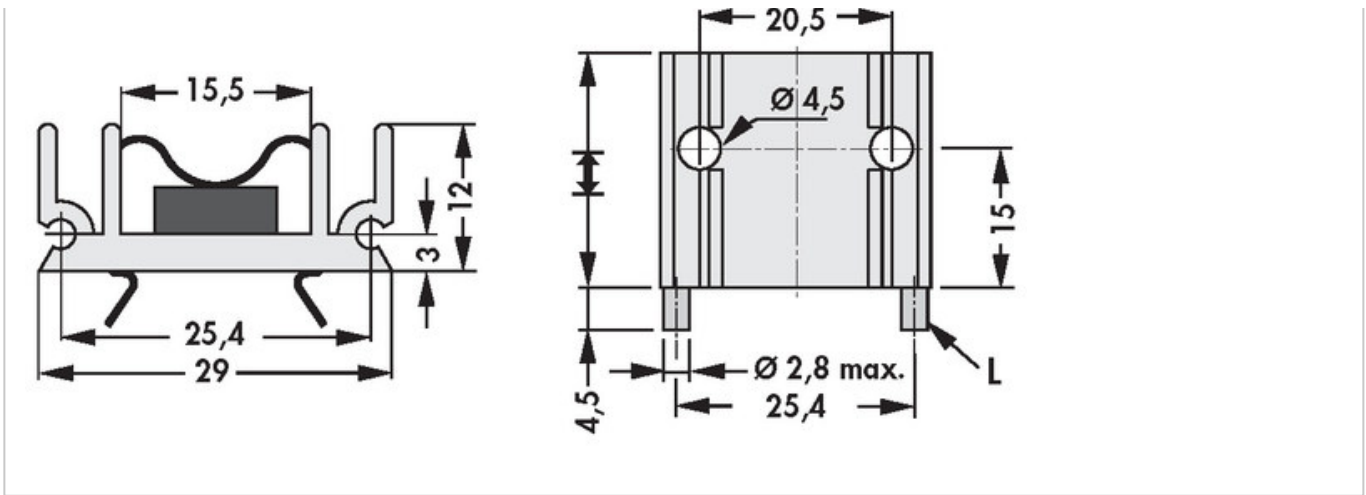


Profile heatsinks and liquid coolers>Extruded heatsinks for PCB mounting
29 x 12 mm, for semiconductor clip-mounting

Features

way of fixation:	transistor clip mounting
width:	29 mm
height:	12 mm
plate thickness:	3 mm
length:	50 mm
thermal resistance:	10 K/W
drilling pattern:	<ul style="list-style-type: none"> • TO 218 • TO 220 • TO 247 • TO 248
version:	with solder pins
surface:	black anodised

Technical Drawing



Fischer Elektronik GmbH & Co. KG
DEUTSCHLAND • GERMANY • ALLEMAGNE

Nottebohmstraße 28
58511 Lüdenscheid

Telefon +49 2351 435-0
Telefax +49 2351 45754

info@fischerelektronik.de
www.fischerelektronik.de