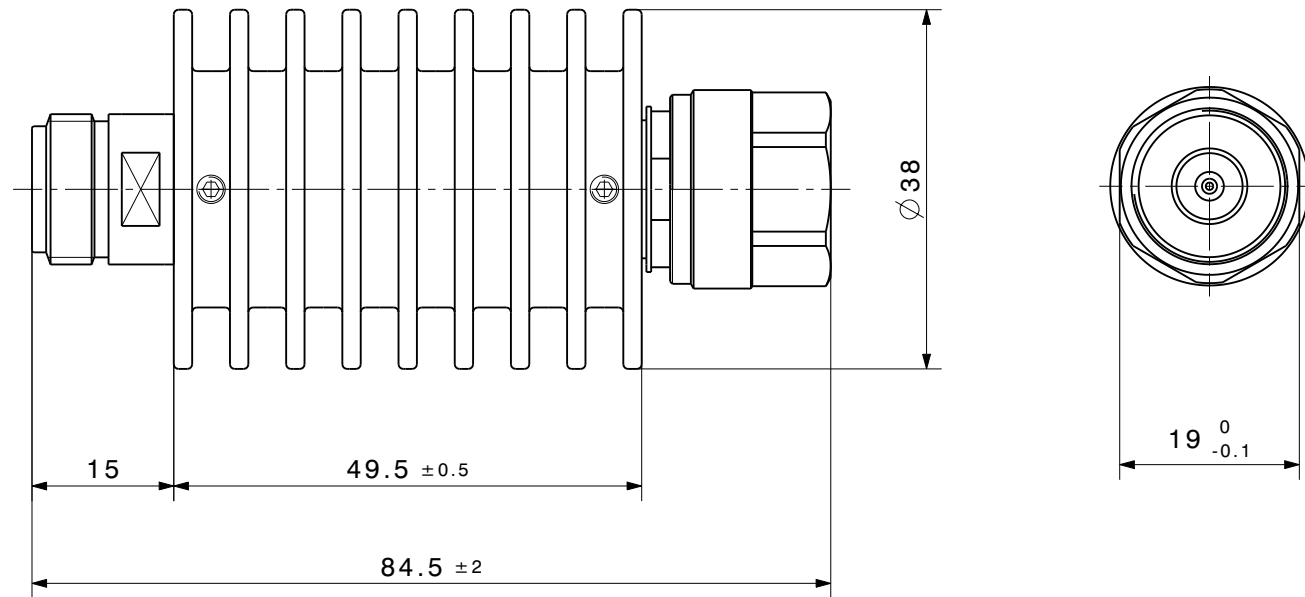


Types:

5930\_N-50-025

5920\_N-50-025

5910\_N-50-025



Type:

All dimensions after treatment in millimeter (mm)

Assembly drawing

Released date: 27.10.2022

alternative ID

3D-ID PRO-01168089 A Sheet: 1 / 1

**HUBER+SUHNER**

description

Attenuator

ID

DOU-01168090

Release

A

# Mouser Electronics

Authorized Distributor

Click to View Pricing, Inventory, Delivery & Lifecycle Information:

[HUBER+SUHNER:](#)

[5903\\_N-50-1/199\\_NE](#) [5906\\_N-50-1/199\\_NE](#) [5910\\_N-50-025/19-\\_NE](#)