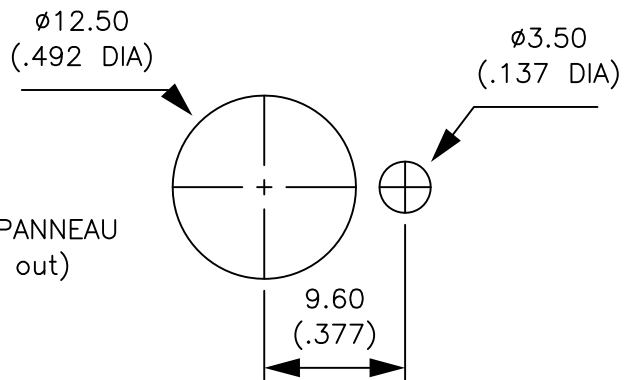
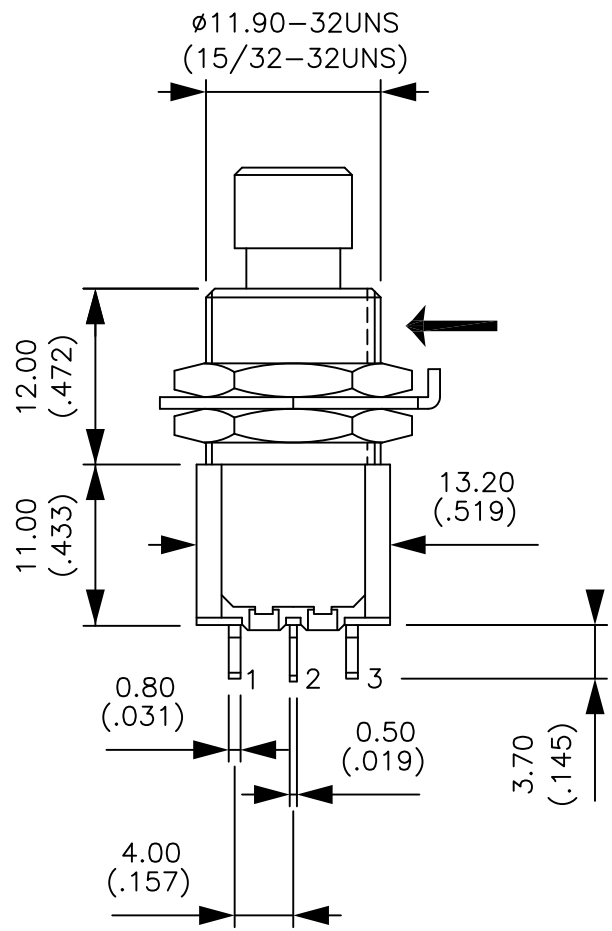
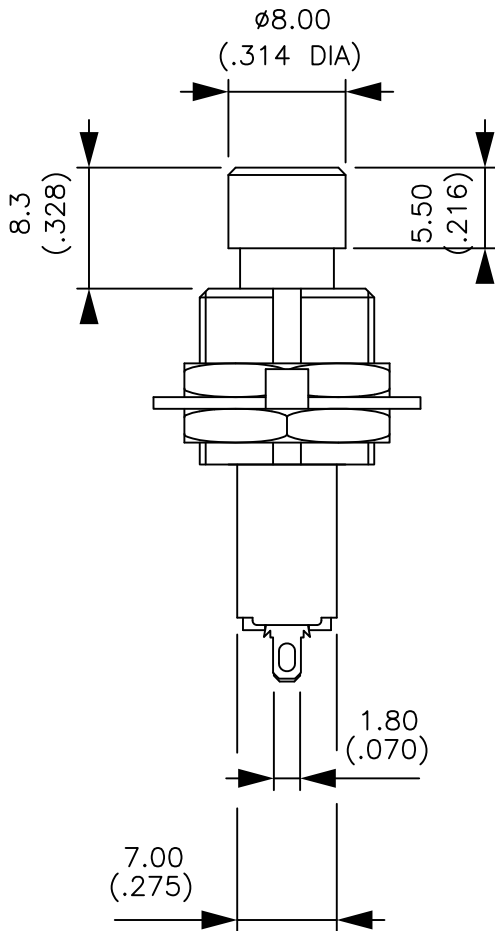
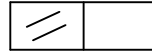
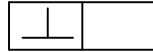
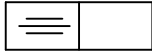
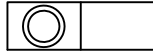

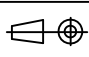


GENERAL TOLERANCE :  $\pm 0.3$   
(.011)



DECOUPE DU PANNEAU  
(Panel cut out)

RAINURE  
(KEYWAY)

|       |                                  |               |       |  |   |                   |
|-------|----------------------------------|---------------|-------|--|---|-------------------|
|       |                                  |               |       | MATERIAL:  |  <b>APEM</b><br>55,av E.HERRIOT BP 1 82303 CAUSSADE CEDEX<br>Tél.05.63.93.14.98 - Télécopie.05.63.93.19.03 | DRAWN: F. RICARD  |
|       |                                  |               |       | TREATMENT:   |   | DATE : 09/06/2003 |
|       |                                  |               |       | FINISH:  |   | CHECKED: C. MORA  |
|       |                                  |               |       | Scale: 2  |   | Reference ID08076 |
| B     | Cote de 8.25<br>passe à 8.30     | 28/07<br>2017 | MAURI | <b>PUSHBUTTON SWITCH</b><br><b>8632A-5 X933</b>  |   | Series   8000     |
| A     | nouveau cartouche<br>+ code base | 15/05<br>2014 | MD    |  |   |                   |
| Issue | Modifications                    | Date          | Name  |  |   |                   |