

60mm sq.

San Ace 60



General Specifications

- Material Frame: Plastics (Flammability: UL94V-0),
Impeller: Plastics (Flammability: UL94V-1)
- Expected Life Refer to specifications (L10:Survival rate:90% at 60°C ,
rated voltage, and continuously run in a free air state)
- Lead Wire ⊕red ⊖black (Sensor) yellow
- Storage Temperature -30°C to +70°C (Non-condensing)

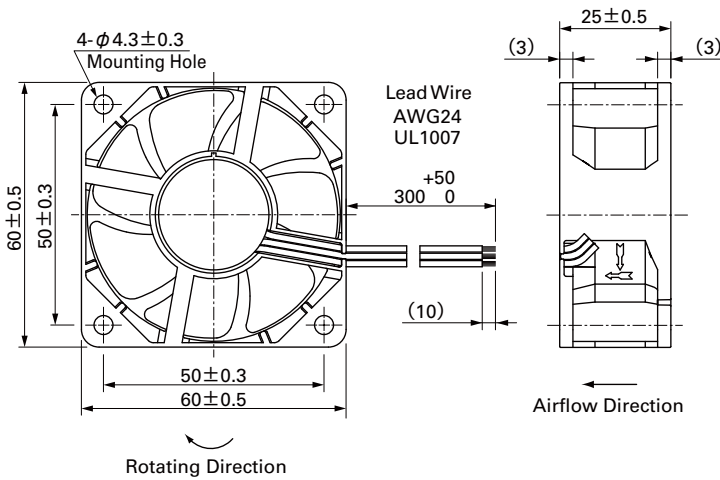
60×60×25mm (Mass : 55g) **9S**type **Silent Fan**

Specifications The following nos. **have pulse sensors and ribs.** For ribless, append "1" to the model no.

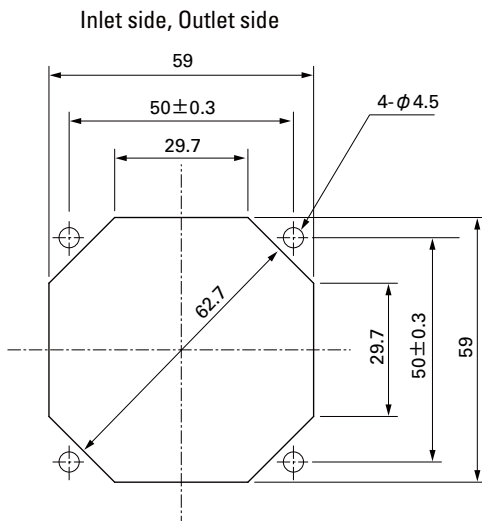
Model No.	Rated Voltage [V]	Operating Voltage Range [V]	Rated Current [A]	Rated Input [W]	Rated Speed [min ⁻¹]	Max. Airflow [m ³ /min] [CFM]	Max. Static Pressure [Pa] [inchH ₂ O]	SPL [dB(A)]	Operating Temperature [°C]	Expected Life [h]
9S0612S401	12	5.0 to 13.8	0.20	2.40	5,000	0.74 26.1	65.7 0.26	31	-10 to +70	40,000/60°C
9S0612H401			0.11	1.32	3,900	0.58 20.5	40.0 0.16	24		
9S0612F401		6.0 to 13.8	0.08	0.96	3,300	0.49 17.3	29.3 0.12	20		
9S0612M401			0.07	0.84	2,700	0.40 14.1	19.7 0.08	16		

Models without sensors, or with lock sensors, or PWM control function are available as options. Please refer to the index (p. 479).

Dimensions (unit: mm) (With ribs)



Reference Dimensions of Mounting Holes and Vent Opening (unit: mm)

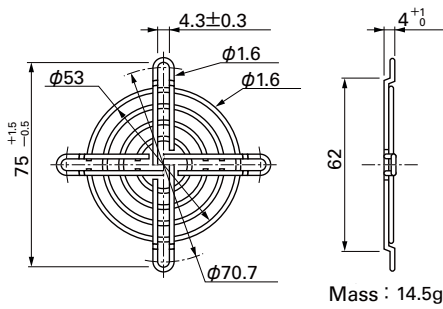


Options (unit: mm)

Finger Guards

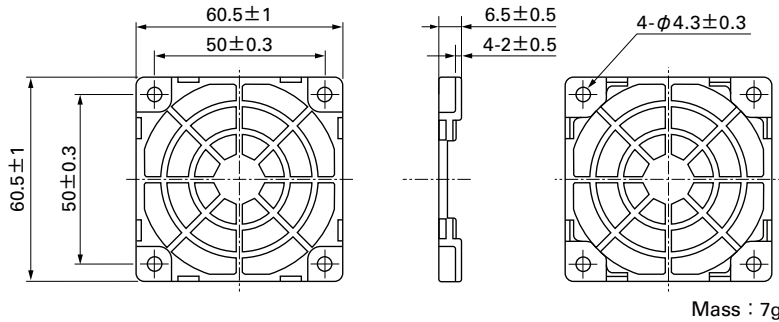
Model : 109-139E Surface treatment : Nickel-chrome plating (silver) Color : Silver
 : 109-139H : Cation electropainting (black)

Inlet side, Outlet side



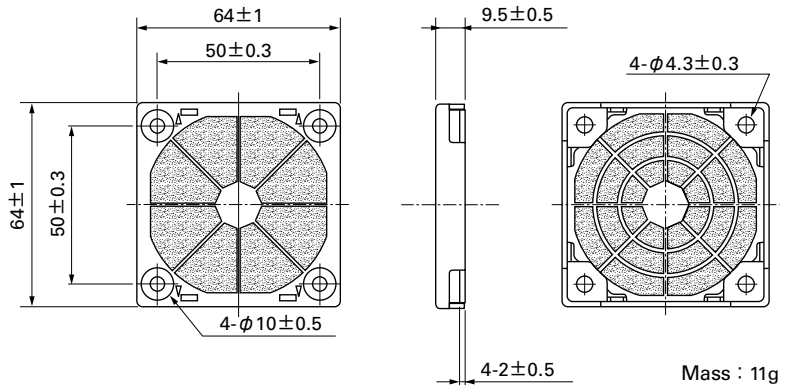
Resin Finger Guards

Model : 109-1003G

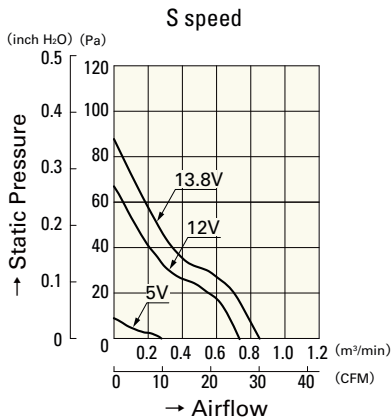


Resin Filter Kits

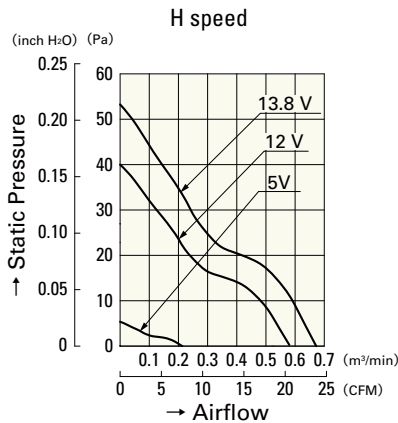
Model : 109-1003F13 (13PPI), 109-1003F20 (20PPI)
 : 109-1003F30 (30PPI), 109-1003F40 (40PPI)



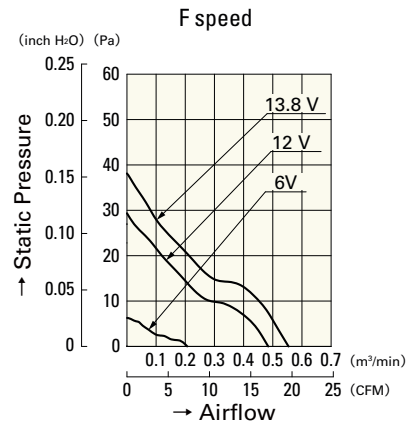
Airflow - Static Pressure Characteristics



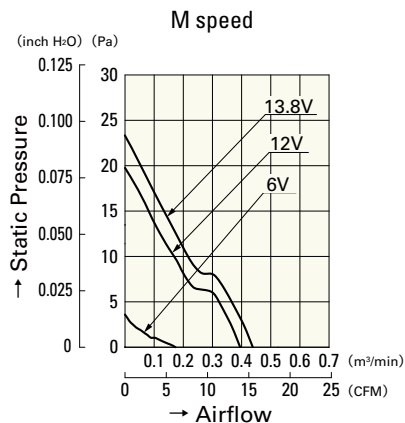
9S0612S401



9S0612H401



9S0612F401



9S0612M401