

Rocker Switch

Features

- Life 50000 cycles
- Typical applications include small appliances and gardening equipment
- Panel cut out 19 x 13 mm
- Single pole

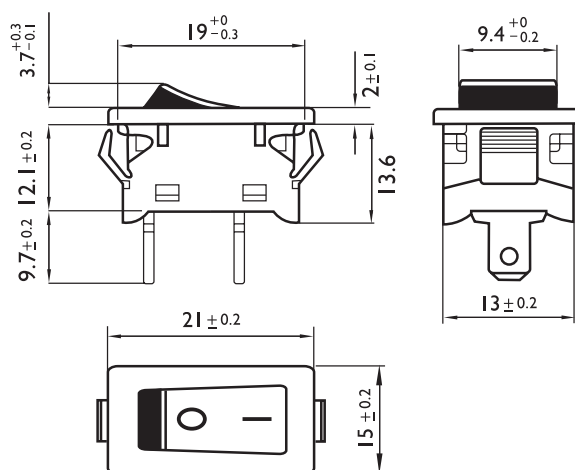


Specification

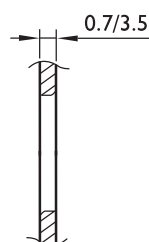
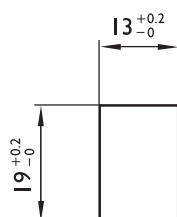
Rating	10 A, 250 VAC
Contact Configuration	1NO
Panel Cut Out Width	13 mm
Panel Cut Out Height	19 mm
Illuminated	No
Actuator Colour	Black
Mounting Type	Panel Mount
Termination Type	Faston Terminal, 4.8 x 0.8 mm
Legend	O-I
Legend Text Colour	Red
Operating Temperature max.	125 °C
Actuator Type	Rectangular Rocker

Drawing

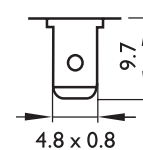
Dimensions (mm)



Cut out (mm)



Termination



Art Nr.
RND 210-00701