

# Plastic enclosure

120 x 80 x 85 mm light grey PC IP 65



## FEATURES:

Lid fastened with M4 stainless steel screws in pressed brass bushings  
Lid is provided with a slightly sunk area for membrane keyboard  
The holes in the enclosures for wall mounting and lid fixing screws are located outside the sealing area to protect against moisture and dust

## FEATURES:

Standoffs for horizontal PCB mounting

## SPECIFICATION:

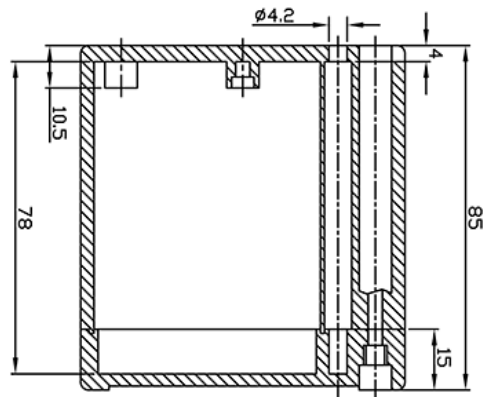
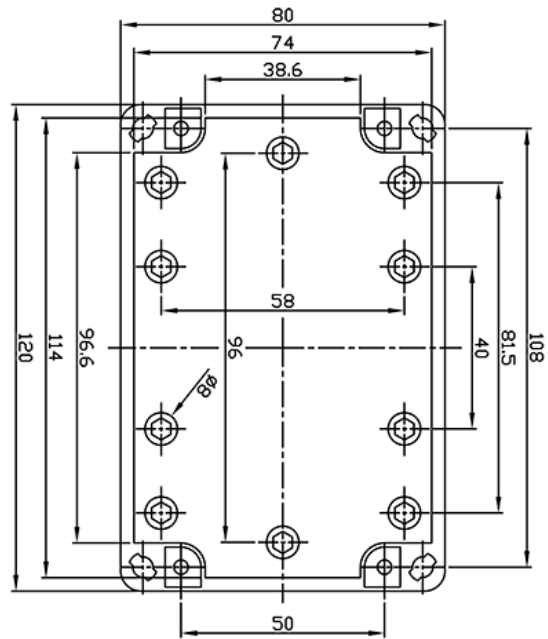
Dimensions L x W x H	120 x 80 x 85 mm
Colour	light grey
Material	PC
Protection rating	IP 65
Mounting	Screws
Temperature range	-40...+120 °C
Front panel	Transparent



## Art. Nr.

RND 455-00136

VIEW OF BASE



VIEW OF LID

