

AS-i 3.0 PROFIBUS Gateway with integrated Safety Monitor

AS-i 3.0 PROFIBUS-DP Gateway/Link with integrated Safety Monitor

Redundant power supply out of AS-i:
all fundamental functions of the device remain available
even in case of power failure in one of the two AS-i networks

Gateway + Safety Monitor in one housing:

- Full functional range
of Bihl+Wiedemann PROFIBUS Gateway BWU1567!
- Enhanced functional range
of Bihl+Wiedemann Safety Monitor BWU2044!

1 AS-i 3.0 Master PROFIBUS Slave

Chip card for storage of configuration data

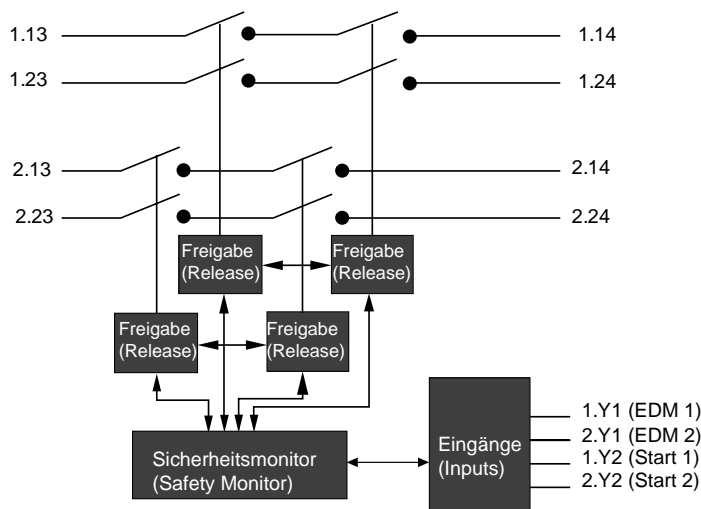


BW2027	safe AS-i outputs are not supported
PROFIBUS interface	according to DIN 19 245, part 3
Baud rates	9,6 kBaud up to 12 000 kBaud, automatic recognition
DP functions	imaging of the AS-i slaves as I/O data of the PROFIBUS complete diagnosis and configuration via the PROFIBUS DP
Serial interface	RS 232
AS-i cycle time	150 µs*(number of slaves + 2)
Safety Monitor	
Release circuits	2-channel
Start delay	< 10 s
Respond delay	< 40 ms
Inputs	2 x EDM / inputs of external device monitoring circuits 1 and 2 2 x Start / start inputs, output circuits 1 and 2 switching current statical 4 mA at 24 V, dynamic 30 mA at 24 V (T=100 µs)
Outputs	4 x output switching elements, output circuits 1 and 2 max. contact load: 3 A AC-15 at 30 V, 3 A DC-13 at 30 V
Card slot	chip card for storage of configuration data
Display	
LCD	indication of slave addresses and error messages
LED <i>power</i>	power on
LED <i>PROFIBUS</i>	PROFIBUS master recognized
LED <i>config error</i>	configuration error
LED <i>U AS-i</i>	AS-i voltage OK
LED <i>AS-i active</i>	AS-i normal operation active
LED <i>prg enable</i>	automatic address programming enabled
LED <i>prj mode</i>	configuration mode active
Electrical data	
Operating current	master power supply, max. 300 mA out of AS-i circuit 1 (approx. 70 mA ... 300 mA) max. 200 mA out of AS-i circuit 2 (approx. 70 mA ... 300 mA); in sum max. 370 mA
Operating voltage	30 V, 9 W
Voltage of insulation	≥ 500 V

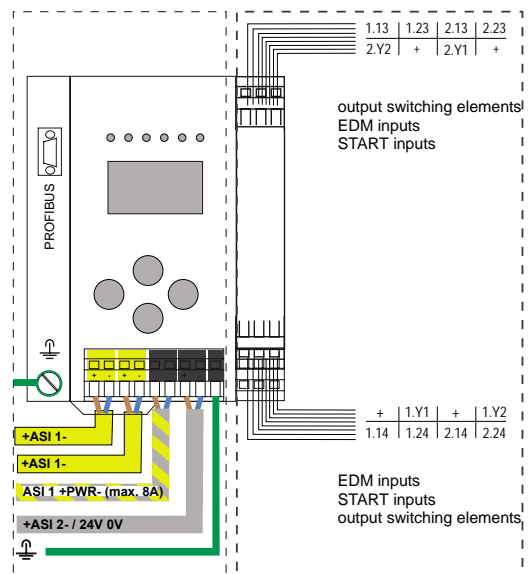
AS-i 3.0 PROFIBUS Gateway with integrated Safety Monitor

BW2027	safe AS-i outputs are not supported
UL-specifications (UL508)	
External Protection	An isolated source with a secondary open circuit voltage of $\leq 30 V_{DC}$ with a 3 A maximum over current protection. Over current protection is not required when a Class 2 source is employed.
in general	UL mark does not provide UL certification for any functional safety rating or aspects of the above devices.
cTUVus	The device BWU2027 from Bihl+Wiedemann GmbH was safety certified by TÜV Rheinland of North America, Inc. according to UL-standards and meet the safety requirements for the North American market.
Standards	EN 61 000-6-2 EN 61 000-6-4 EN 62 061:2005, SILCL 3 EN 61 508:2001, SIL3 EN 954-1, categorie 4 EN ISO 13 849-1:2008, performance level e
Housing	AS-i master housing in stainless steel
Ambient operating temperature	0°C ... +55°C
Storage temperature	-25°C ... +85°C
Dimensions (L / W / H in mm)	120 / 100 / 96
Protection category IEC 60 529	IP20
Tolerable loading referring to impacts and vibrations	according to EN 61 131-2
Weight	800 g

Safety Monitor block diagram:



Connections:



Accessories:

- Software ASIMON 3 G2 (art. no. BW2071) and „AS-i Control Tools“ with serial cable for AS-i Master/monitors in stainless steel (art. no. BW1602)
- Serial PROFIBUS Master (art. no. BW1258)
- PROFIBUS DP Master Simulator (art. no. BW1257)