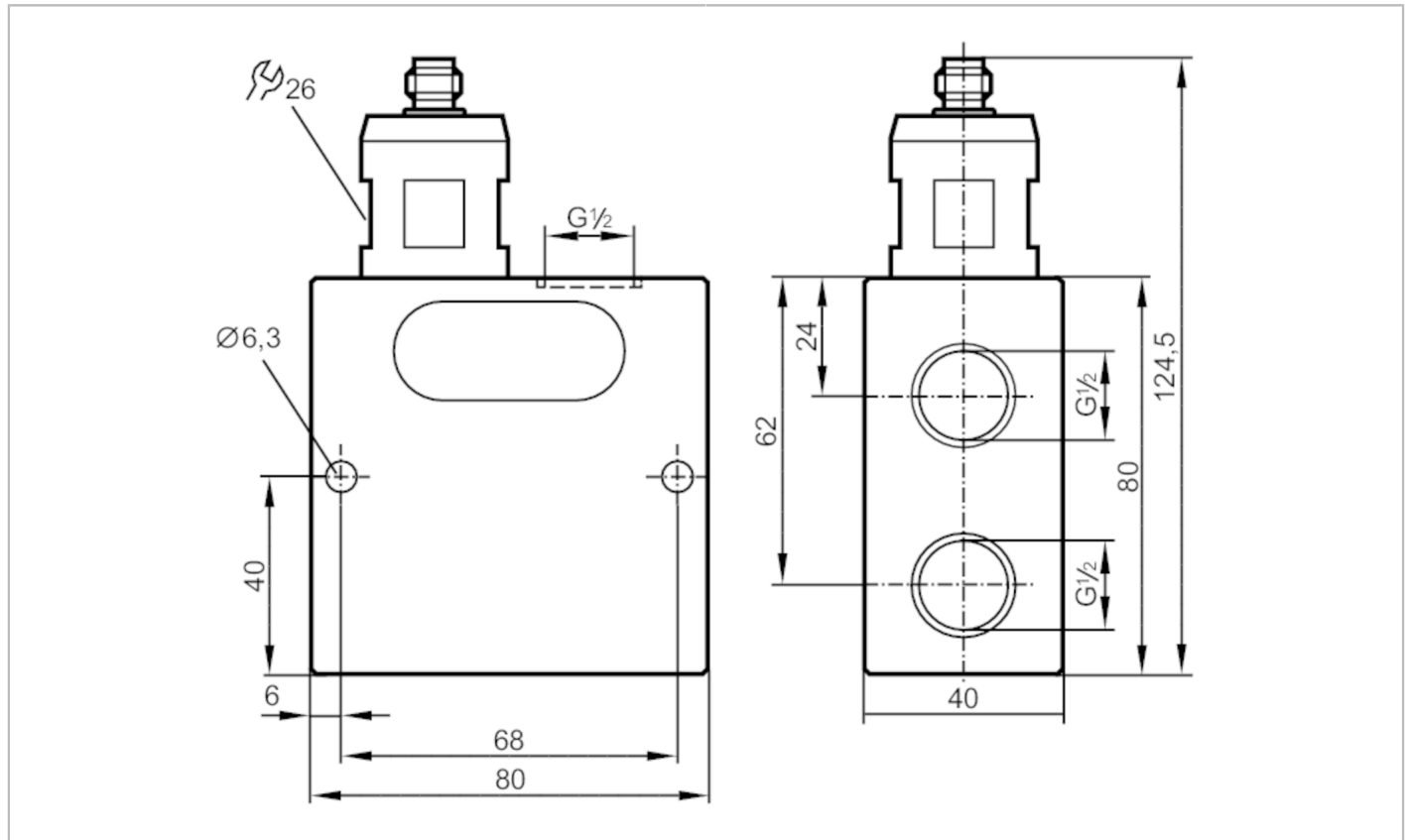


SBU623



Flow transmitter with integrated backflow prevention

SBU12DI040KG/US



Product characteristics	
Measuring range	[l/min] 0.3...25
Process connection	G 1/2
Application	
Application	machine tools; Internal cooling of drill
Medium temperature	[°C] 0...60
Pressure rating	[bar] 200
Electrical data	
Operating voltage tolerance	[%] -15...10
Operating voltage	[V] 24 DC; (to SELV/PELV)
Current consumption	[mA] 10
Protection class	III
Reverse polarity protection	yes
Outputs	
Output signal	analogue signal
Analogue voltage output	[V] 0.5...10
Min. load resistance	[Ω] 10000
Short-circuit protection	yes
Overload protection	yes

SBU623



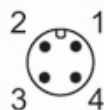
Flow transmitter with integrated backflow prevention

SBU12DI040KG/US

Measuring/setting range	
Measuring range [l/min]	0.3...25
Flow range [l/min]	75
Accuracy / deviations	
Repeatability [% of the final value]	1
Measuring error [% of the final value]	± 5
Response times	
Response time [s]	< 0.01
Operating conditions	
Ambient temperature [°C]	0...60
Storage temperature [°C]	-15...80
Protection	IP 65; IP 67
Tests / approvals	
EMC	DIN EN 61000-6-2
	DIN EN 61000-6-3
Shock resistance	DIN EN 60068-2-27 20 g (11 ms)
Vibration resistance	DIN EN 60068-2-6 5 g (10...2000 Hz)
MTTF [years]	3004
Mechanical data	
Weight [g]	740.5
Materials	aluminium anodised; PA
Materials (wetted parts)	stainless steel (1.4401 / 316); brass; aluminium anodised; PU; O-ring: FKM
Process connection	G 1/2
Switching cycles mechanical	10 million
Accessories	
Accessories (supplied)	sealing plugs
Remarks	
Remarks	Temperature changes slightly affect the specified standard settings for coolants.
	For oils, the settings are influenced by temperature and viscosity.
	Recommendation Use 200 micron filtration
Pack quantity	All data refer to coolants (20 °C).
	1 pcs.

Electrical connection

Connector: 1 x M12



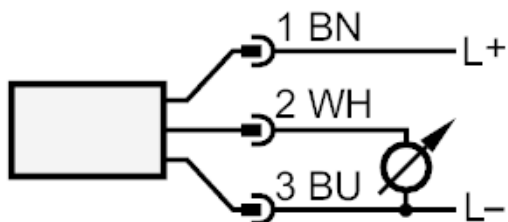
SBU623



Flow transmitter with integrated backflow prevention

SBU12DI040KG/US

Connection



colours to DIN EN 60947-5-2

Core colours :

BN =	brown
BU =	blue
WH =	white