

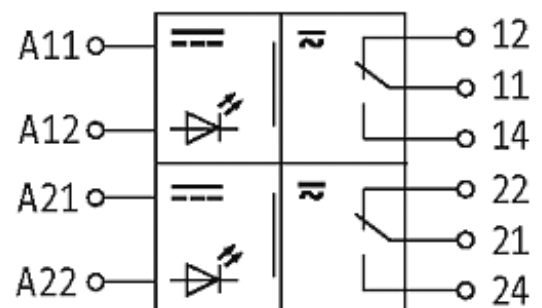
RM-21/230V AC OUTPUT RELAY

IN: 230 VAC/DC - OUT: 250 VAC/DC / 5 A

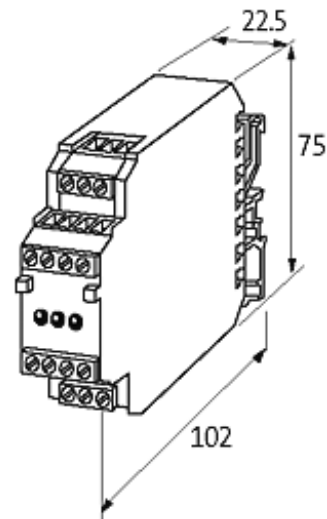
2 relays; each 1 NO/NC contact
 5 A
 230 V AC
 Screw terminals

[Link to Product](#)

Illustration



stay connected



Product may differ from Image

Utilization category

AC-1	8 A (24/110/230 V AC)
AC-15	3 A (24/110/230 V AC)
DC-13	1.5 A (24 V DC); 0.3 A (110 V DC); 0.15 A (230 V DC)

Input

Connection voltage - current	230 VAC (195...250 VAC) - 10mA
LED display	LED (red)

General data

Mech./ elect. life	20.000.000 switching cycles/load dependent
Test isolation voltage	4 kV
Mounting method	DIN-rail mountable TH35 or G32 (EN 60715)
Temperature range	-20...+50 °C
Dimensions H x W x D	75x22.5x102 mm

Output

Switching voltage	max. 250 V AC/DC
Switching current per output	max. 8 A
Min. load current	100 mA
Power rating (voltage dependent)	max. 1250 VA/240 W
Switching frequency	max. 0.1 Hz (with load)
Contact material	Ag Sn O ₂
Energize/release/contact bounce time	10/10/2 ms

Commercial data

country of origin	CZ
customs tariff number	85364900
minimum order quantity	1