



Model Number

NJ15-30GM50-A2

Features

- Stainless steel housing
- 15 mm non-flush

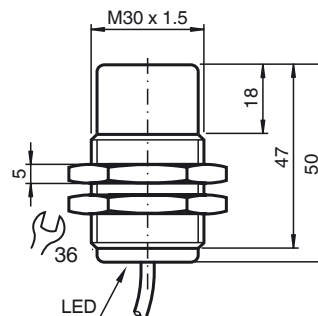
Accessories

BF 30
Mounting flange, 30 mm

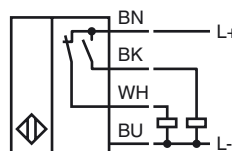
Technical Data

General specifications			
Switching element function		PNP	NO/NC
Rated operating distance	s_n	15 mm	
Installation		non-flush	
Output polarity		DC	
Assured operating distance	s_a	0 ... 12.15 mm	
Reduction factor r_{Al}		0.45	
Reduction factor r_{Cu}		0.4	
Reduction factor r_{304}		0.8	
Nominal ratings			
Operating voltage	U_B	10 ... 60 V	
Switching frequency	f	0 ... 300 Hz	
Hysteresis	H	typ. 5 %	
Reverse polarity protection		reverse polarity protected	
Short-circuit protection		pulsing	
Voltage drop	U_d	≤ 3 V	
Operating current	I_L	0 ... 400 mA	
No-load supply current	I_0	≤ 15 mA	
Switching state indicator		LED, yellow	
Functional safety related parameters			
MTTF _d		1190 a	
Mission Time (T _M)		20 a	
Diagnostic Coverage (DC)		0 %	
Ambient conditions			
Ambient temperature		-25 ... 70 °C (-13 ... 158 °F)	
Mechanical specifications			
Connection type		cable PVC , 2 m	
Core cross-section		0.75 mm ²	
Housing material		Stainless steel 1.4305 / AISI 303	
Sensing face		PBT	
Protection degree		IP67	
Compliance with standards and directives			
Standard conformity			
Standards		EN 60947-5-2:2007 IEC 60947-5-2:2007	
Approvals and certificates			
UL approval		cULus Listed, General Purpose	
CSA approval		cCSAus Listed, General Purpose	
CCC approval		Certified by China Compulsory Certification (CCC)	

Dimensions



Electrical Connection



Release date: 2014-01-31 09:19 Date of issue: 2014-01-31 222512_eng.xml