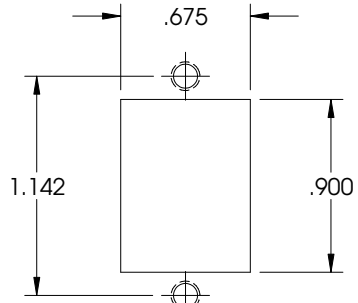


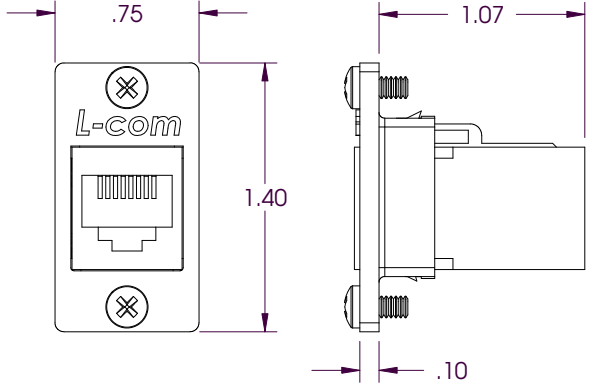
THE INFORMATION CONTAINED IN THIS DRAWING IS THE SOLE PROPERTY OF L-COM, INC. ANY REPRODUCTION IN PART OR WHOLE WITHOUT THE WRITTEN PERMISSION OF L-COM, INC. IS PROHIBITED.

REVISIONS			
REV	DESCRIPTION	DATE	APPROVED
A	INITIAL RELEASE	07/03/03	B.MAZEJKA
B	ECN #1511 - REMOVED P/Ns FROM COMPONENTS	09/19/03	B.MAZEJKA
C	ECN #1625 - ADDED COMPONENT SPECIFICATION TABLE	12/31/03	B.MAZEJKA
D	ECN#2427: ADDED KIT CONTENTS	05/30/06	D. PARHAM

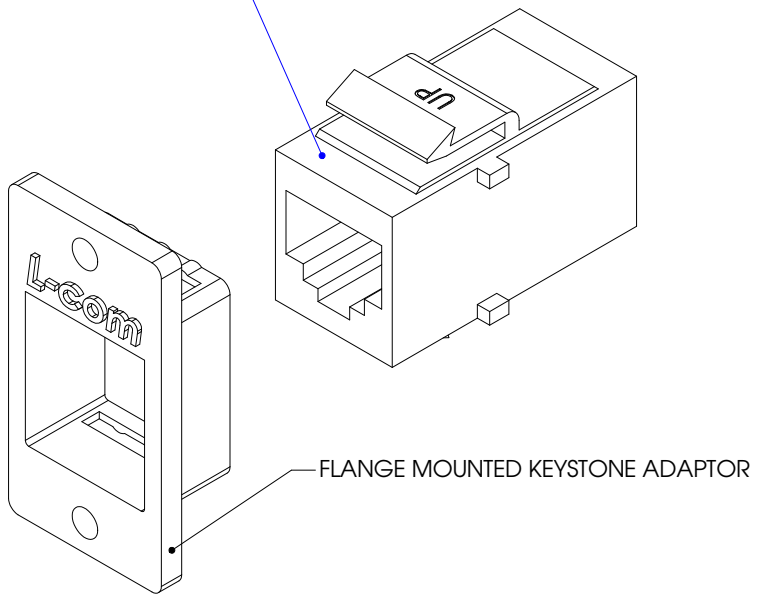


2X 4-40 UNC-2B THRU

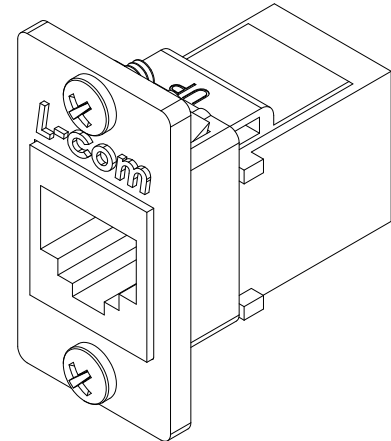
**RECOMMENDED
PANEL OPENING**



CAT 5E RJ45 COUPLER
(L-COM P/N: TDG1026KC5)



FLANGE MOUNTED KEYSTONE ADAPTOR



**KIT SHOWN FULLY ASSEMBLED FOR CLARITY
(KIT IS SHIPPED UN-ASSEMBLED)**

- △ D KIT INCLUDES:**
 1- COUPLER
 1- FLANGE ADAPTOR
 1- PACKAGE MOUNTING SCREWS (4-40x 1/4")

Component Specifications	
Material	
Flanged Adaptor	Zinc Alloy
Hardware	Stainless Steel
Finish	
Flanged Adaptor	Nickel Plate

CS-188

UNLESS OTHERWISE SPECIFIED,
DIMENSIONS ARE IN INCHES
TOLERANCES ARE:
X ±.1
.XX ±.05
.XXX ±.005
CABLE LENGTH TOLERANCE
<300' ±5% >300' ±2%

APPROVALS	DATE
DRAWN BY B.MAZEJKA	07/01/2003
CHECKED BY D.PARHAM	07/02/2003
APPROVED BY R.CARRICK	07/03/2003

CONFIGURATION DETAILS OF
UNDIMENSIONED FEATURES
MAY VARY

L-com
CONNECTIVITY PRODUCTS

45 BEECHWOOD DRIVE
NORTH ANDOVER, MA
01845

PRODUCT DESCRIPTION
KIT, PANEL COUPLER, DELUXE, CAT 5e RJ45

DRAWING TITLE
OUTLINE DRAWING

SIZE A	FSCM NO. 43321	DWG. NO. ECF504-C5-OD1	REV D
------------------	--------------------------	---------------------------	-----------------

SCALE: 1.5:1 CAD FILE: ECF504-C5-OD1.SLDDRW SHEET 1 OF 1