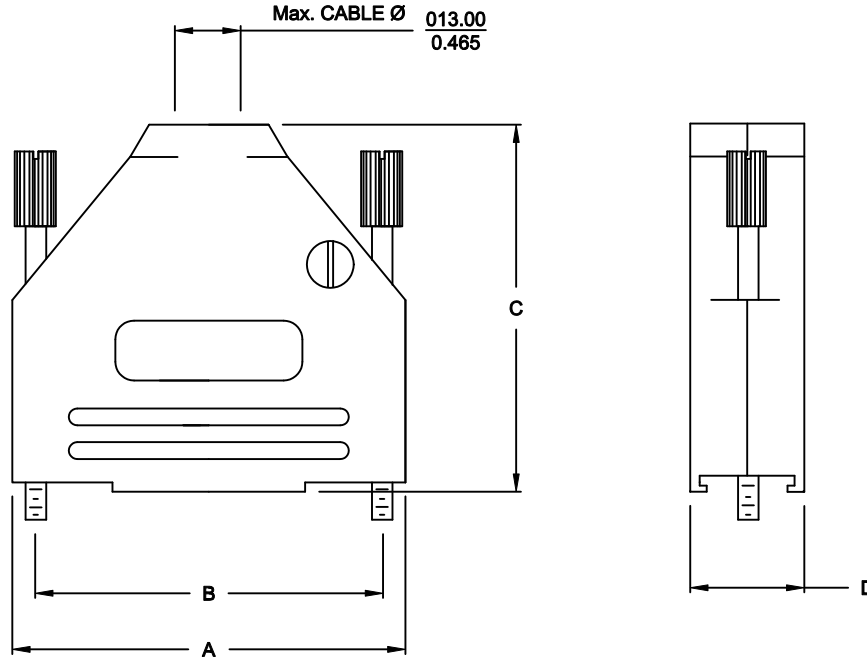


BACKSHELL KIT INCLUDES:

- (2) BACKSHELL HALVES
- (2) 4-40 THUMBSCREWS
- (2) HOUSING SCREWS
- (1) SET OF METALIZED COMPRESSION INSERTS - VARIOUS SIZES
DIAMETERS 4mm (.157"), 5mm (.167"), 7mm (.276"), 9mm(.354")

DIMENSIONS (mm/in)				
SIZE	A $\pm_{0.10}^{.25}$	B $\pm_{.005}^{.13}$	C $\pm_{0.10}^{.25}$	D $\pm_{0.10}^{.25}$
9	31.20	24.99	39.90	15.00
	1.228	0.984	1.571	0.591
15	39.50	33.32	41.50	15.00
	1.555	1.312	1.634	0.591
25	53.40	47.04	48.60	15.00
	2.102	1.852	1.913	0.591
37	69.70	63.50	53.60	15.00
	2.744	2.500	2.110	0.591



ORDERING INFORMATON:

SIZE	PRODUCT CODE:
9-WAY	MHDTZK-9-RAHI-K
15-WAY	MHDTZK-15-RAHI-K
25-WAY	MHDTZK-25-RAHI-K
37-WAY	MHDTZK-37-RAHI-K

SIZE	PRODUCT CODE:
9-WAY	MHDTZK-9-RAHI
15-WAY	MHDTZK-15-RAHI
25-WAY	MHDTZK-25-RAHI
37-WAY	MHDTZK-37-RAHI

BACKSHELL MATERIAL: DIE-CAST ZINC ALLOY
 PLATING: NICKEL
 4-40 THUMBSCREWS: STEEL
 M3 HOODSCREWS: STEEL
 COMPRESSION INSERT: ABS UL 94HB
 OPERATING TEMP: -40°C TO +120°C

THESE DRAWINGS AND SPECIFICATIONS ARE THE PROPERTY OF MH CONNECTORS LTD. AND SHALL NOT BE REPRODUCED, COPIED OR USED AS THE BASIS FOR THE MANUFACTURE OR SALE OF APPARATUS WITHOUT WRITTEN PERMISSION.	DRAWN P. JENKINS	DATE 02-23-12
	APPROVED D. CROFT	DATE 02-06-12

RoHS COMPLIANT



MH CONNECTORS LTD.

SCALE NTS	SHEET 1	OF 1	REV: A
DRAWING No MHDTZK-< >-RAHI-K SERIES			