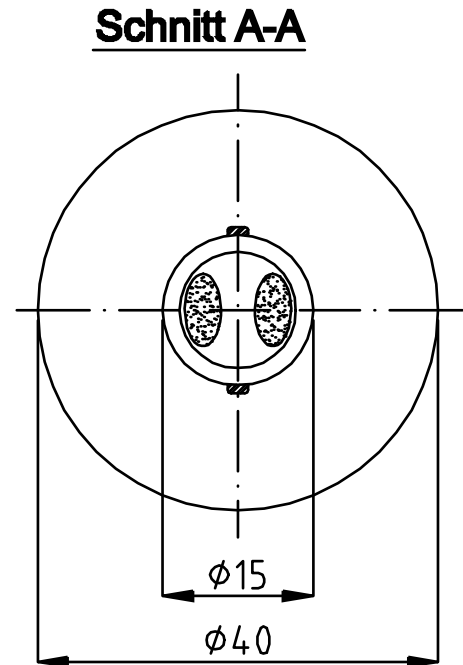
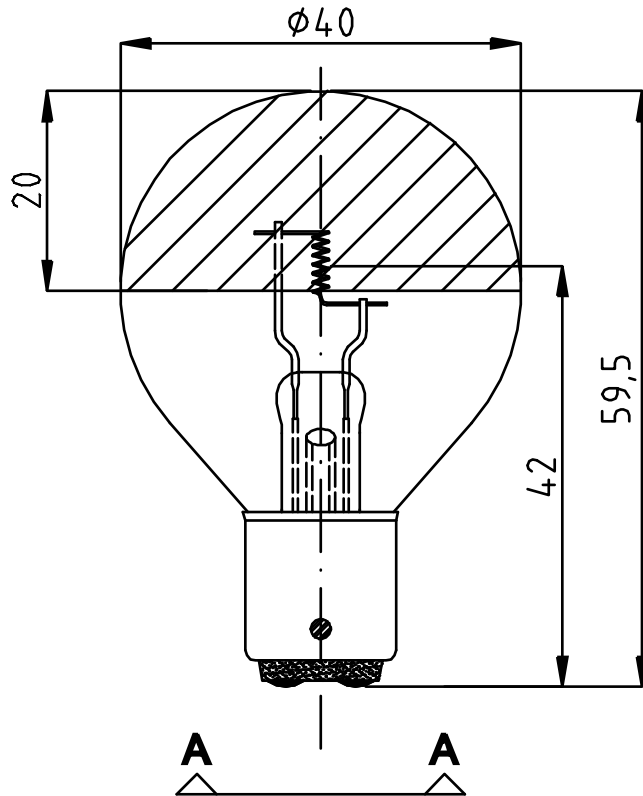


INDUSTRIAL SPECIALTY LIGHTING

Industrial medical - Datasheet



MEDICAL LAMPS - 32V 40W BA15D

PRODUCT NUMBER **302936043** [] Tol.

VOLTAGE	32	V	
WATTAGE	40	W	± 10
LUMEN OUTPUT	590	LM	± 10
LUMEN PRO WATT	14.8	LM/W	
AVERAGE LIFE	500	H	
BASE	BA15D	/	
REMARKS	H016579		
BRAND	DR. FISCHER		

FOR INFORMATIONAL PURPOSES ONLY. SIL INT. BV. DISCLAIMS ALL WARRANTIES WITHOUT LIMITATION. INFORMATION MIGHT BE SUBJECT TO CHANGE.



MEDICAL



ENTERTAINMENT



TRAFFIC



MARINE



RAILWAY



AIRFIELD



VARIOUS



TAILOR MADE



IR / UV



PROJECTION



Special industrial Lighting
Ruysdaelbaan 3F
5642 JJ Eindhoven
The Netherlands

Tel : + 31 40 2868 913
Fax : + 31 40 2868 207
Website: www.sillamps.com
Email : silint@special.nl