

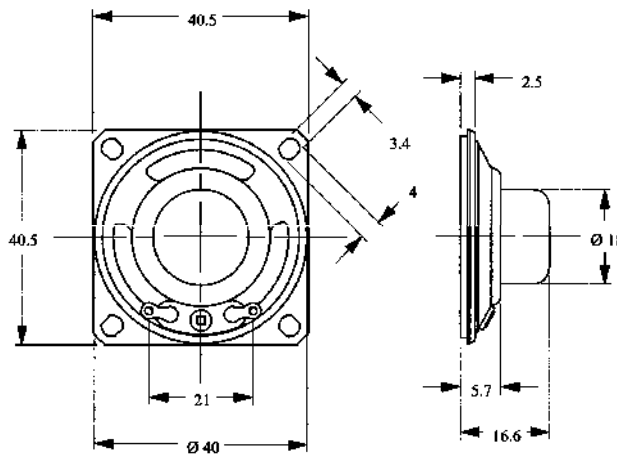
LSM-40A/SQ (Artikel-Nr. 120013)

SPECIFICATIONS:

TYPE	UNIT	LSM-40A/SQ
Impedance	Ω	$8 \pm 15\%$
Power (Nominal)	W	0.1
Power (Maximum)	W	0.2
Resonant Frequency	Hz	$700 \pm 20\%$
Sound Pressure Level	dB	82 ± 3
Frequency Range	Hz	Fo~4.500
Operating Temperature	$^{\circ}\text{C}$	-20~+60
Storage Temperature	$^{\circ}\text{C}$	-30~+70

DIMENSIONS

(Unit: mm)



Frequency response:

