

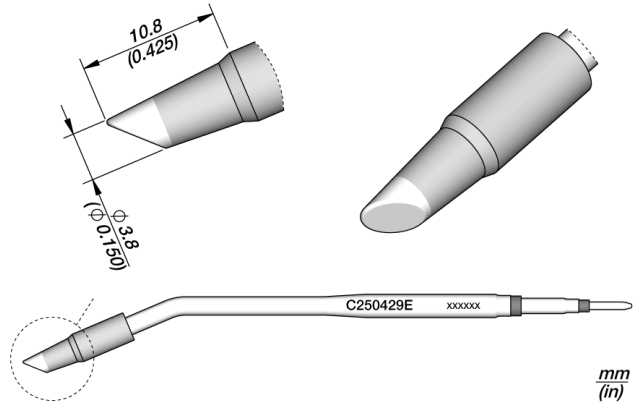
JBC C250429E**Conical Bevel Cartridge Ø 3.8 S2**

This cartridge has been designed with a thicker iron layer what makes this tip ideal for tough and repetitive works in mass production. A thicker iron layer reduces the thermal efficiency.

C250 cartridges have been specially designed to work with ALE250 Automatic-Feed Soldering Iron and AP250 Manual-Feed Soldering Iron

These cartridges can be aligned using the anti-rotation screw incorporated on the tool.

They last 5 times longer than other brands thanks to Intelligent Heat Management.

**REFERENCE****C250429E****SPECIFICATIONS**

Net weight 0,008 kg (0.02lb)

WEIGHT AND DIMENSIONS

8 gr (0.02 lb)

15 gr (0.03 lb)

127 x 31 x 31 mm

Copyright © 2024 JBC Soldering S.L. | [Legal Notice](#) | [Privacy Policy](#) | [Terms and Conditions](#) | [Cookie policy](#) | [Internal Communication](#) | [RSS Feed](#) | [JBC Store](#) | [Contact Us](#)

CONNECTABLES**Compatible tools**

AP250-B

Manual-Feed Soldering Iron



ALE250-A

Automatic-Feed Soldering Iron