

1 2 3 4 5 6

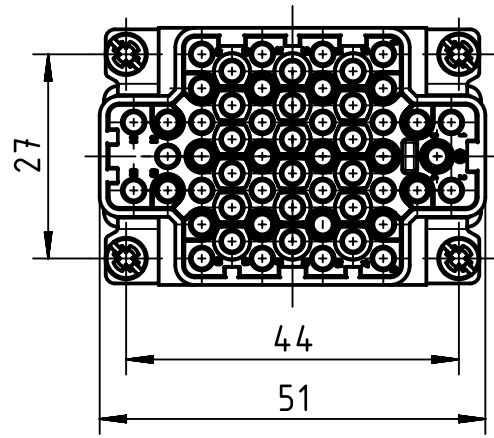
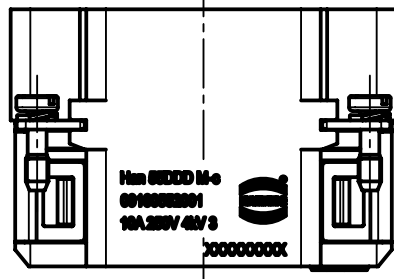
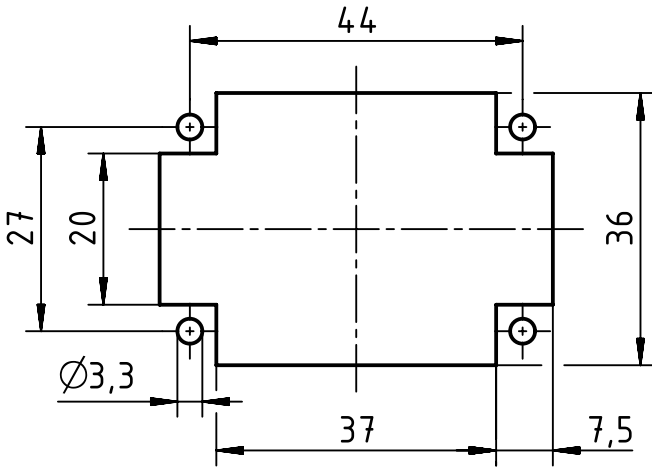
A

B

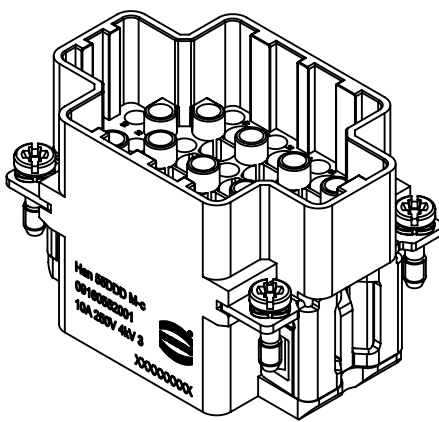
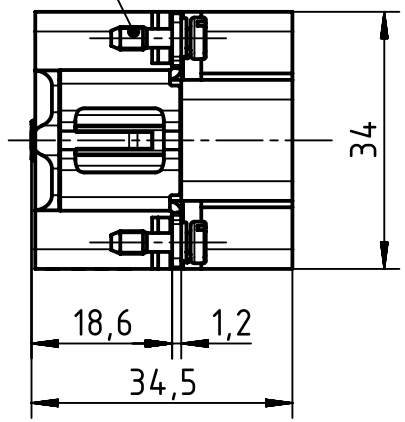
C

D

Panel cut out



M3x10



	All rights reserved Department EL PD	All Dimensions in mm Original Size DIN A4			Scale 1:1	Free size tol.	Ref. Sub.
		HARTING Electric GmbH & Co. KG D-32339 Espelkamp	Created by LONGL	Inspected by DINGB	Standardisation TIEMANNA	Date 2019-08-22	State Final Release
		Title Han 55DDD M-c				Rev. B	
		Type TB	Number 09 16 055 2001			Page 1/1	