

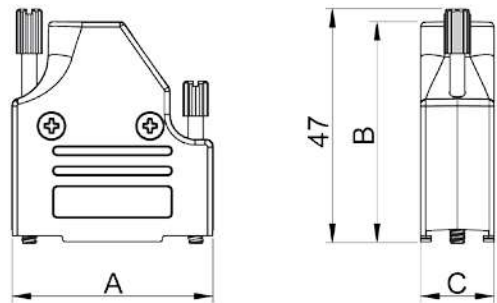
**TECHNICAL SPECIFICATIONS**

**D-Sub Hood:**

Material: Zinc, Nickel Plated  
 Operating Temperature: -40°C to +120°C  
 Cable Entry: Side Entry 35°  
 Thumbscrews: UNC 4-40 (Standard)  
 Cable O.D: Up to 13mm

**Female D-Sub Solder Cup:**

Insulator: PBT, Black, UL94 V-0  
 Shell: Steel, Tin Plated  
 Contact pins: Copper Alloy  
 Stamped & Formed Pins: Class 3, 100 inserts min.  
 Machined Contact Pins: Class 1, 500 inserts min.  
 Contact Plating: Selective Gold over Nickel  
 Operating Temperature: -55°C to +105°C  
 Withstanding voltage: 1000V for 1 minute  
 Insulator resistance: 1000MΩ min  
 Insulator resistance: 1000MΩ min



D-Sub-Hood

**Features:**

- Available in sizes 9-15-25-37
- 360° EMI Shielding
- Quick assembly
- Supports all types of cables
- Suitable for any common D-Sub connector

Size MHDM35	Dim A	Dim B	Dim C
9-way	43,0	32,0	15,5
15-way	43,0	40,4	15,5
25-way	48,0	54,0	15,5
37-way	53,0	70,5	15,5

**Ordering information:**

**Class 3 D-Sub Connector Kits (100 inserts min.)**

Size:	P/N - Kitted:	Product Code - FEMALE Conn. Kit
9-way	6355-0007-11	MHDM35-09-DBS-K
15-way	6355-0007-12	MHDM35-15-DBS-K
25-way	6355-0007-13	MHDM35-25-DBS-K
37-way	6355-0007-14	MHDM35-37-DBS-K

**Ordering information:**

**Class 1 D-Sub Connector Kits (500 inserts min.)**

Size:	P/N - Kitted:	Product Code - FEMALE Conn. Kit
9-way	6355-0008-11	MHDM35-09-DMS-K
15-way	6355-0008-12	MHDM35-15-DMS-K
25-way	6355-0008-13	MHDM35-25-DMS-K
37-way	6355-0008-14	MHDM35-37-DMS-K