

SIMONWORK

mobile

BT4 1200

152 x 121 x 76 cm
59.8 x 47.6 x 29.9 cm



5 Años Garantía
Years Guarantee
Jahre Garantie
Ans Garantie
Anos de Garantia
SIMONRACK



Carga uniformemente repartida
Evenly distributed load
Gleichmäßig verteilte Last
Charge uniformément répartie
Carga uniformemente distribuida



- 2 x 56 cm (22.0")
- 2 x 84 cm (33.1")
- 2 x 144 cm (56.7")
- 1 x 75x120 cm (29.5"x59.1") MDF
- 1 x 40x120 cm (15.7"x47.2")
- 4 x 120 cm (35.4")
- 4 x 75 cm (29.5")
- 2 x 30 cm (11.8")
- 1 x 120x30 cm (47.2"x11.8")
- 8 x 8x8 mm nuts and bolts
- 2 x 120 cm (47.2")
- 75 cm (29.5")
- 2 x 30 cm (11.8")
- 2 x 120 cm (47.2")
- 1 x 120 cm (47.2")
- 2 x 8x8 mm nuts and bolts
- 2 x 8x8 mm nuts and bolts
- 12 x 8x8 mm nuts and bolts
- 8 x 8x8 mm nuts and bolts



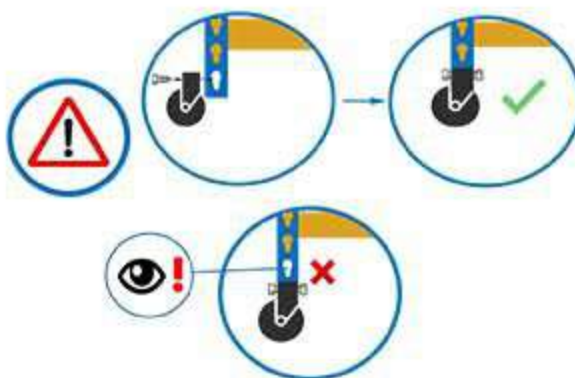
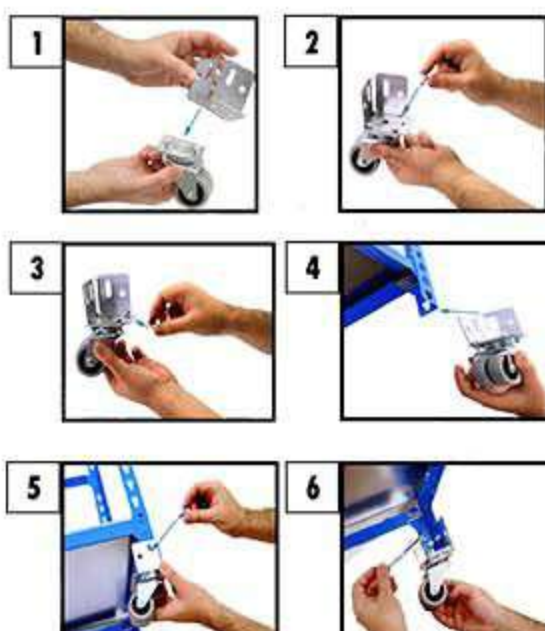
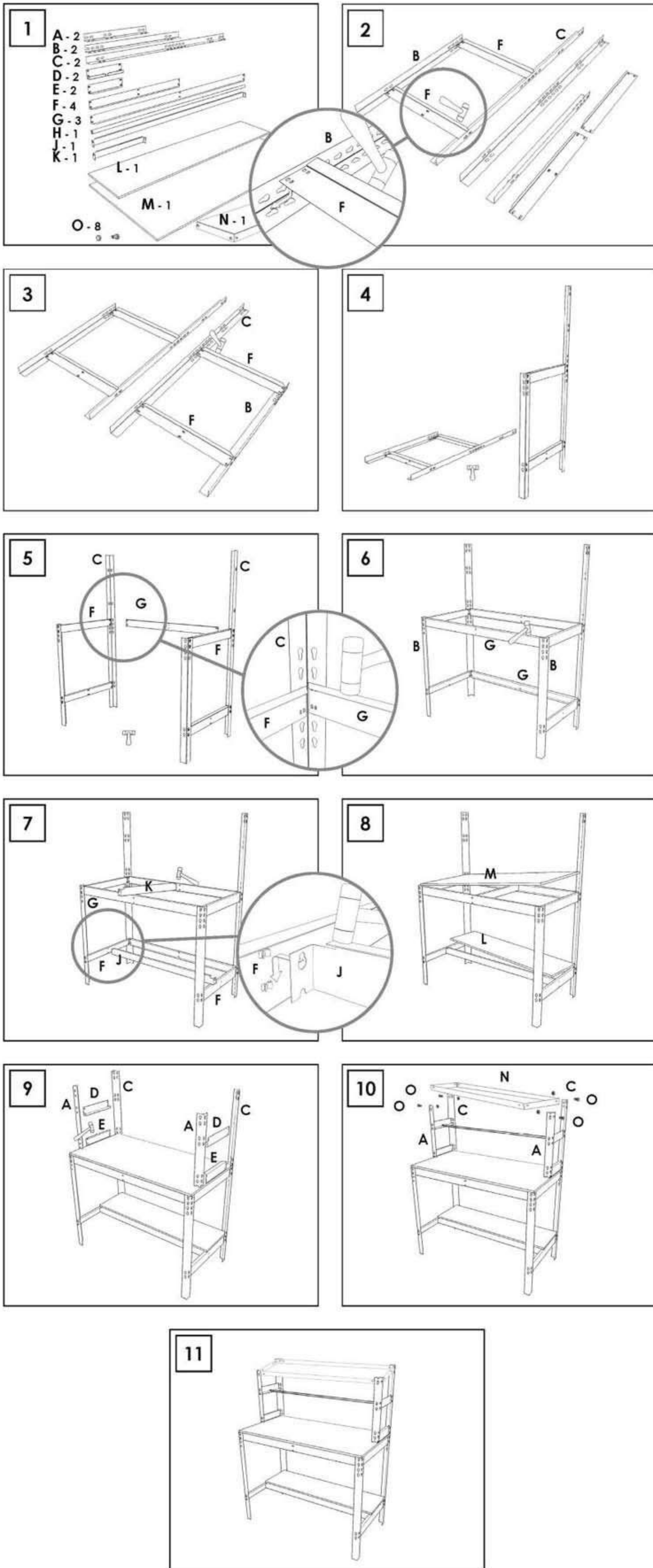
ESTANTERIAS SIMON S.L. B.50.556.463
PG. ALFAMEN C/ POLIGONO C. Nº3
ALFAMEN (ZARAGOZA)



www.simonrack.com



INSTRUCCIONES
INSTRUCTIONS
ANLEITUNG
INSTRUCTIONS



Colocar larguero en el primer agujero disponible
First beam in the hole immediately above the wheel
Erstes Quertraverse im Loch direkt über dem Rad
Premier montant dans le trou juste au-dessus de la roue
Primeira travessa no orifício logo acima da roda

www.simonrack.com • www.instructionsrack.com/bt4

SIMONCLASSIC



SIMONCLICK



SIMONTALLER



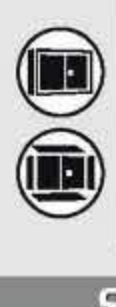
SIMONAUTO



SIMONWORK



SIMONLOCKER



SIMONOFFICE



SIMONHOME



SIMONGARDEN



SIMONTITAN

SIMONINOX



SIMONINDUSTRIAL

SIMONPALET

SIMONLEVER



ALTILLOS Y PASILLOS ELEVADOS
PLATFORMS AND MEZZANINES
LAGERBÜHNEN • PLATES-FORMES ET MEZZANINES



* Kg / lb per bandeja con carga uniformemente repartida
Kg / lb per shelf uniformly distributed load
Kg / lb pro fach bei gleichmäßig verteilter Last
Kg / lb par plateau avec charge uniformément répartie

