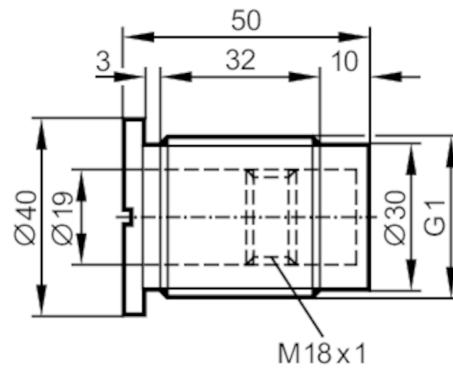


# E43904



## Mounting adapter for capacitive sensors

MOUNTING CAP G1",POM



### Application

Pressure rating [bar] 8

### Operating conditions

Ambient temperature [°C] -25...80

### Mechanical data

Weight [g] 40

Materials Adapter: POM

Tightening torque [Nm] 5

Sensor connection threaded connection M18 x 1 internal thread

Process connection threaded connection G 1 external thread

Length [mm] 50

### Remarks

Pack quantity 1 pcs.