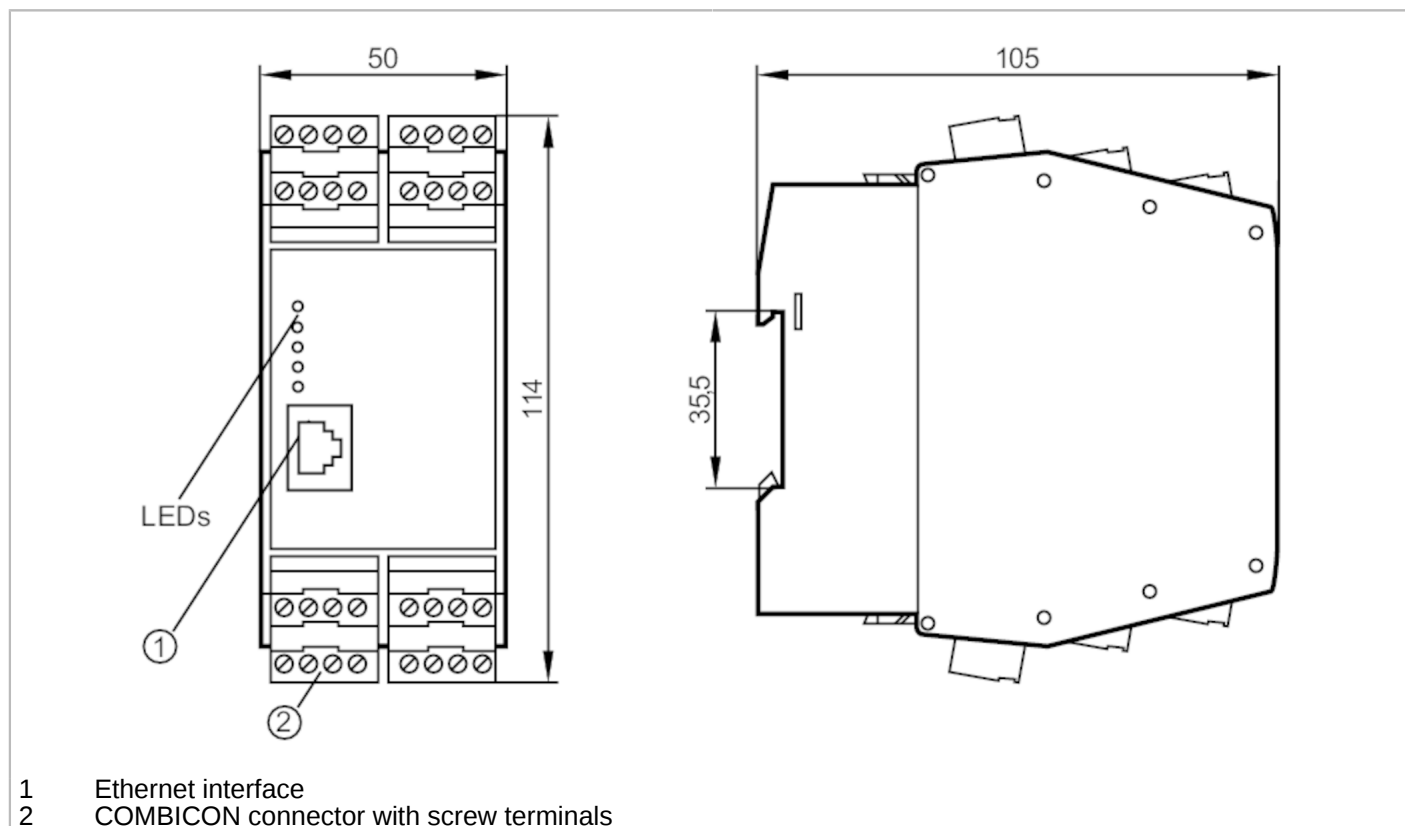


VSE100



Diagnostic electronics for vibration sensors

DIAGNOSTIC ELECTRONICS



Product characteristics

Frequency range [Hz] 0...12000

Application

Design parameter setting via PC software VES004

Application counter function

Electrical data

Operating voltage tolerance [%] 20

Operating voltage [V] 24 DC; (when using the IEPE input: 24 V + 20%;
IEPE = Integrated Electronics Piezo Electric)

Current consumption [mA] 200; (24 V)

Protection class III

Inputs / outputs

Total number of inputs and outputs 8; (configurable)

Number of inputs and outputs Number of analogue inputs: 2; Number of digital outputs: 2; Number of analogue outputs: 1

Inputs

Number of analogue inputs 2

Input circuit of digital inputs HTL

Resolution of analogue input 12

Dynamic input - sampling rate [kSamples] 100



Diagnostic electronics for vibration sensors

DIAGNOSTIC ELECTRONICS

Outputs	
Total number of outputs	2
Output signal	switching signal; analogue signal
Electrical design	PNP
Number of digital outputs	2; (configurable)
Output function	normally open / normally closed; (parameterisable)
Max. voltage drop switching output DC [V]	2
Permanent current rating of switching output DC [mA]	100
Number of analogue outputs	1; (configurable)
Analogue current output [mA]	0...22; (0...10 V)
Max. load [Ω]	500
Short-circuit protection	yes
Type of short-circuit protection	pulsed
Overload protection	yes
Measuring/setting range	
Frequency range [Hz]	0...12000
Interfaces	
Communication interface	Ethernet
Protocol	TCP/IP
Operating conditions	
Ambient temperature [$^{\circ}\text{C}$]	0...70
Storage temperature [$^{\circ}\text{C}$]	0...70
Protection	IP 20
Tests / approvals	
EMC	EN 61000-6-2
	EN 61000-6-3
	EN 50178
MTTF [years]	89
Mechanical data	
Weight [g]	354.5
Housing	plastic housing
Type of mounting	rail; (TH35/EN60715)
Dimensions [mm]	114 x 50 x 105
Materials	PA

VSE100



Diagnostic electronics for vibration sensors

DIAGNOSTIC ELECTRONICS

Data memories	
History memory	yes
Data memory buffered	yes
Data memory type	ring memory; FIFO
With real-time clock	yes
Real-time clock	yes;
Memory location	internal
Memory interval	min. 1 min
Memory size	881664 data records
Accessories	
Accessories (optional)	cross-over Ethernet patch cable for the direct connection to the PC
Remarks	
Pack quantity	1 pcs.

VSE100



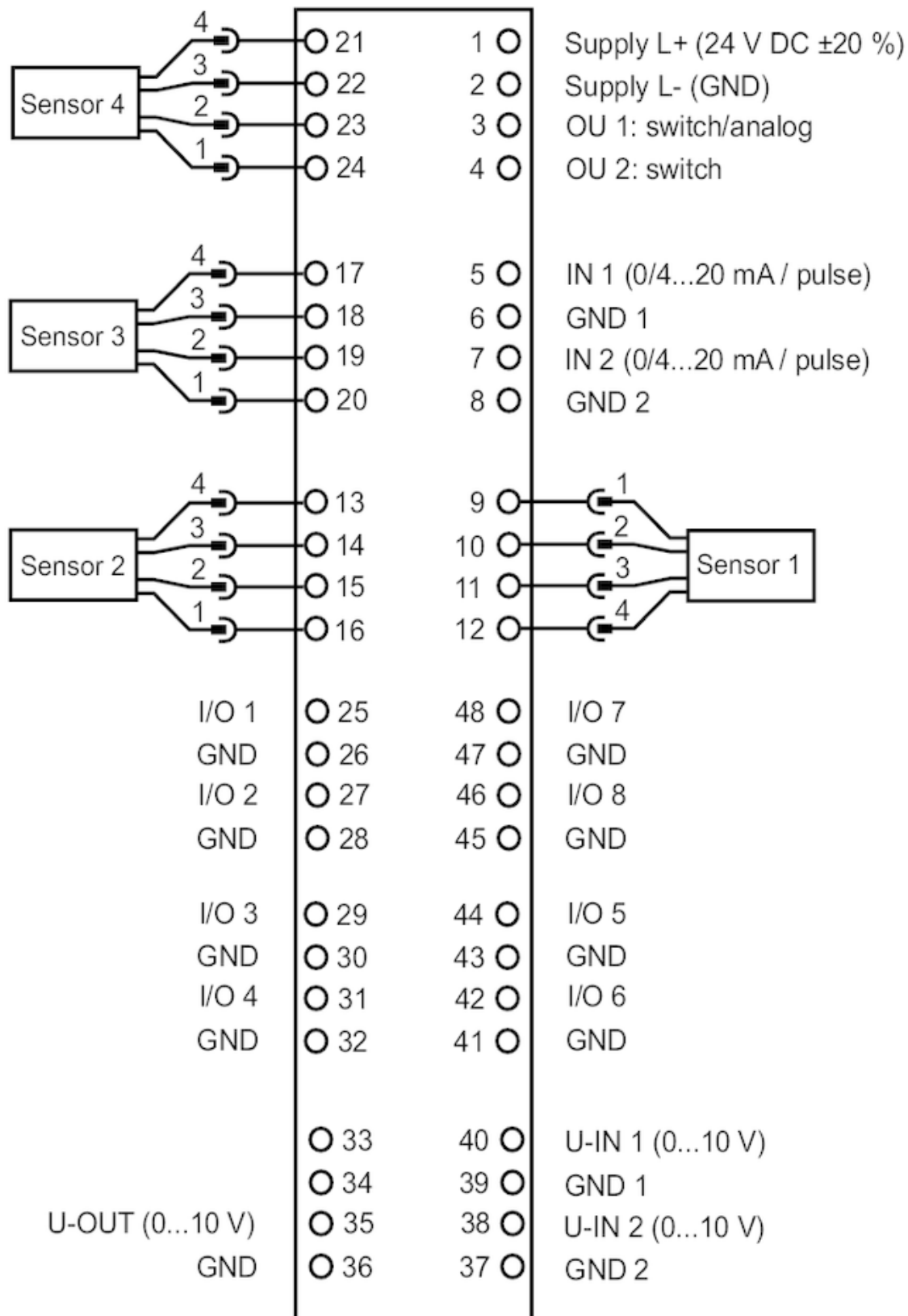
Diagnostic electronics for vibration sensors

DIAGNOSTIC ELECTRONICS

Electrical connection

COMBICON: ; Maximum cable length: 250 m

Connection



VSE100

Diagnostic electronics for vibration sensors

DIAGNOSTIC ELECTRONICS

