

Switch with PoE

ZAC50PN02

Part Number

IndustrialEthernet



- 2 digital I/O ports
- 2 PoE-capable ports
- 4 Industrial Ethernet ports
- High protection class IP67
- Rugged aluminium housing

This switch allows simple connecting of up to four Industrial Ethernet products. Two PoE-capable ports supply connected devices with the needed power. In addition, up to four PNP sensors and actuators can be connected via two digital I/O ports.

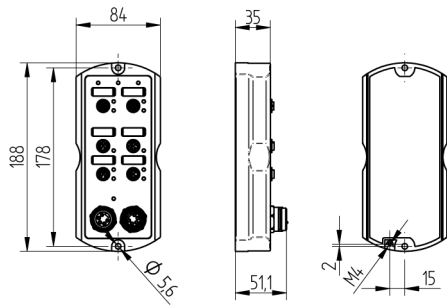
Technical Data

Electrical Data	
Supply Voltage	18...32 V
Power consumption of device max.	0,25 A
Power consumption of system max.	2 A
Max. PoE Capacity	25 W
Max. Switching Current Switching Outputs	0,6 A
max. total current of the digital I/O ports	1 A
Switching Output Voltage Drop	< 2,5 V
Temperature Range	-25...60 °C
Digital I/O ports short circuit protected	yes
Digital I/O ports overload protected	yes
Digital I/O ports reverse polarity protected	yes
PoE Ports	2
Number of digital I/O ports	2
Supported PoE Standard	IEEE802.3af, IEEE802.at
Supported PoE Classes	Class 0, 1, 2, 3
Baud Rate	10/100 Mbit/s
Transmission Mode	Full/Half Duplex
Managed Switch	yes
Switch Mode	Store & Forward
VLAN Prioritization	yes
Auto-Crossover	yes
Auto-Negotiating	yes
Auto-Polarity	yes
Interface	PROFINET
Protection Class	III
Mechanical Data	
Material	Aluminum
Weight	870 g
Degree of Protection	IP67
Type of Connection Power	2 × 7/8", 5-pin
Type of Connection Industrial Ethernet Ports	2 × M12; 4-pin
Type of Connection PoE Ports	2 × M12; 8-pin
Type of connection digital I/O ports	2 × M12; 4-pin
Web server	yes
PROFINET IO, CC-B	●
Power Source Equipment for PoE	●
Connection Table No.	52
Suitable Connection Equipment No.	78

Complementary Products

Locking Screw for 7/8" Z0028

Locking Screw for M12 Z0027



All dimensions in mm (1 mm = 0.03937 Inch)

