

CUSTOMER

MCM

FILE NO.

83-220

THIS DRAWING AND SPECIFICATIONS HEREIN ARE THE
CONFIDENTIAL PROPERTY OF SAMMAR AND SHALL NOT
BE REPRODUCED OR COPIED OR DISCLOSED IN WHOLE
OR IN PART WITHOUT WRITTEN PERMISSION.

REV.

0

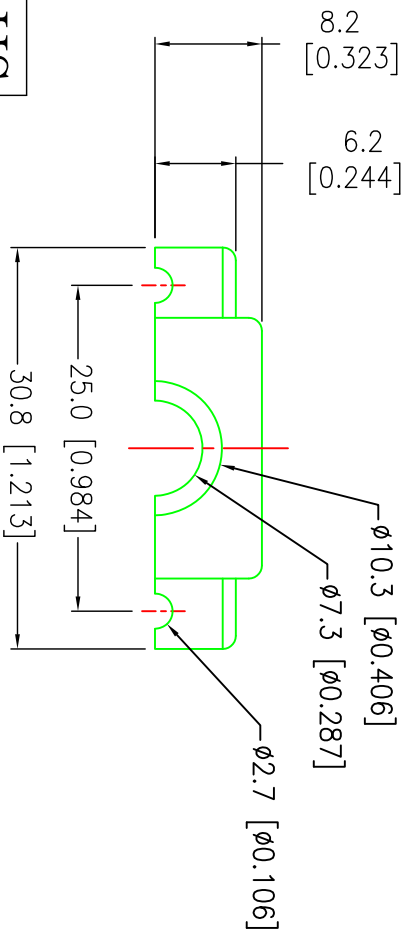
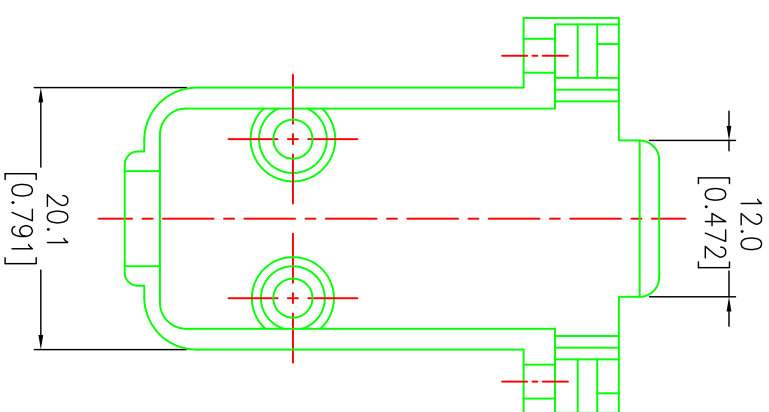
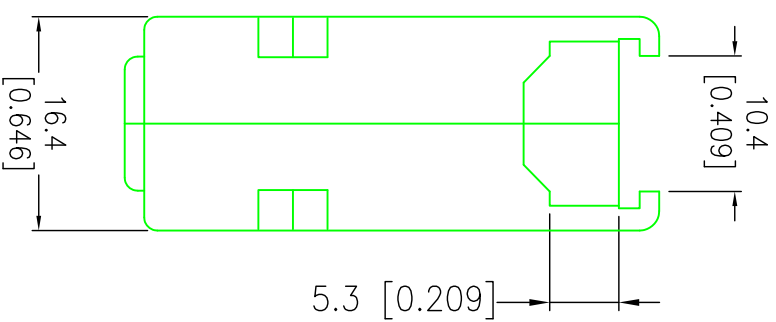
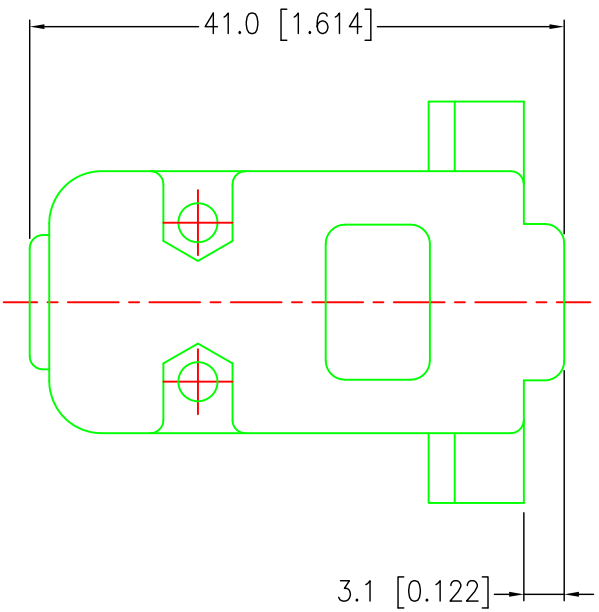
DESCRIPTION

INITIAL RELEASE

DRAWN / DATE

YANG 04/16/2008

APPROVED / DATE



ROHS

Material:

1. Plastic Cover: ABS, Chrome-Plated
2. Cable Clamp: Steel, Nickel-Plated
3. Saddle Washer: Steel, Nickel-Plated
4. Screws: Steel, Nickel-Plated
5. Nut: Steel, Nickel-Plated

DIMENSIONS ARE IN
mm [INCH]

TOLERANCES ARE
FRACTIONS, DECIMALS, ANGLES

MATERIAL

FINISH

COLOR

83-220

X ±0.2 [0.008]

.XX ±0.12 [0.005]

RS232 9P HOOD

P/N 83-220

DRAWN YANG

DATE 04/16/2008

PROJECT NO.

SIZE A4

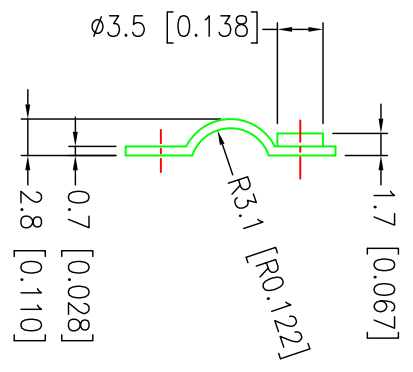
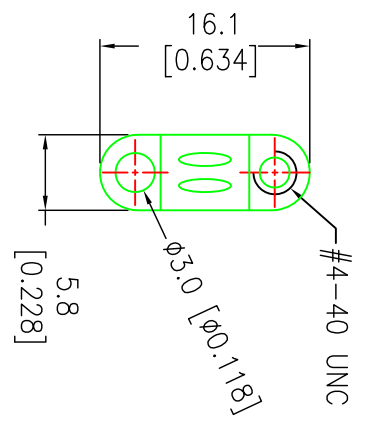
SHEET 1 OF 2

SCALE 1.6:1

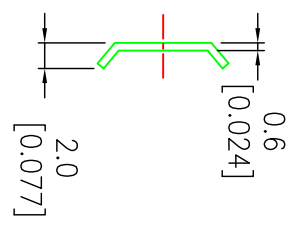
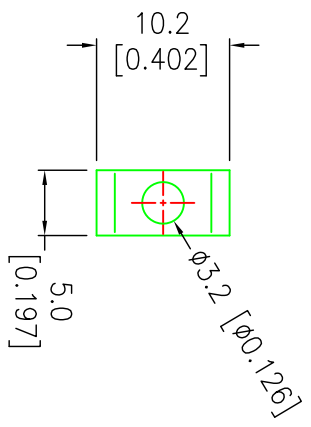
MS020

THIS DRAWING AND SPECIFICATIONS HEREIN ARE THE CONFIDENTIAL PROPERTY OF SAMMAR AND SHALL NOT BE REPRODUCED OR COPIED OR DISCLOSED IN WHOLE OR IN PART WITHOUT WRITTEN PERMISSION.

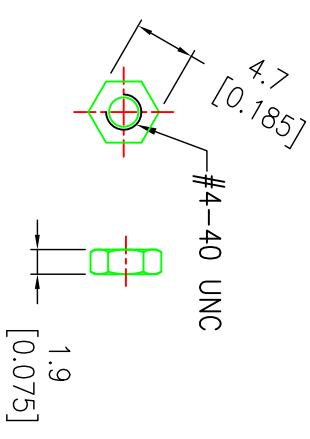
REV.	DESCRIPTION	DRAWN / DATE	APPROVED / DATE
0	INITIAL RELEASE	YANG 04/16/2008	



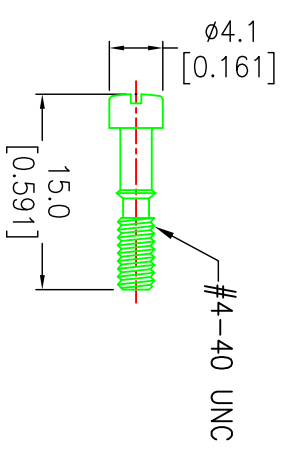
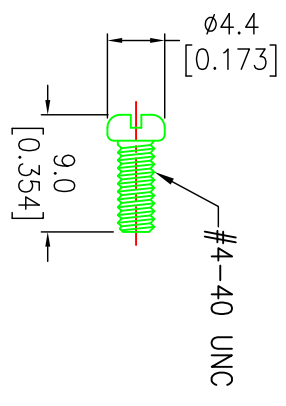
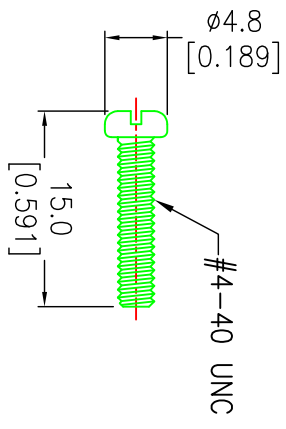
CABLE CLAMP X2pcs



SADDLE WASHER X2pcs



NUT X2pcs



SCREWS X2pcs each

ROHS

DIMENSIONS ARE IN		TOLERANCES ARE		MATERIAL		P/N		DRAWN		DATE	
mm [INCH]		FRACTIONS DECIMALS ANGLES		FINISH		PROJECT NO.		YANG		04/16/2008	
MOLD NO.		X ±0.2 [0.008]		COLOR		83-220					
83-220		.XX ±0.12 [0.005]				RS232 9P HOOD					
						SCALE 1.6:1		SIZE A4		SHEET 2 OF 2	
										MS020	

