

Datasheet - AZ 15/16-B1-2053 WITH BALL LATCH



Safety switch with separate actuator / AZ 15 / Actuator

- For interlocking of light to medium-weight guards



(Minor differences between the printed image and the original product may exist!)

Ordering details

Product type description	AZ 15/16-B1-2053 MIT KUGELRASTUNG
Article number	1111081
EAN code	4030661100388

Global Properties

Product name	Gerader Betätiger B1-2053 mit Kugelrastung
Weight	35 g

Mechanical data

Design of actuators	straight, rigid
Latching force adjustable up to	100 N
Minimum actuating radius	150 mm

notice

Minimum actuating radius on hinged guards 150 mm

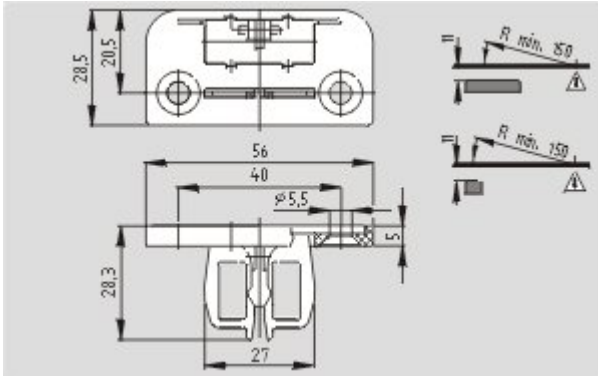
The axis of the hinge should be 11 mm above the top edge of the safety switch and in the same plane

Documents

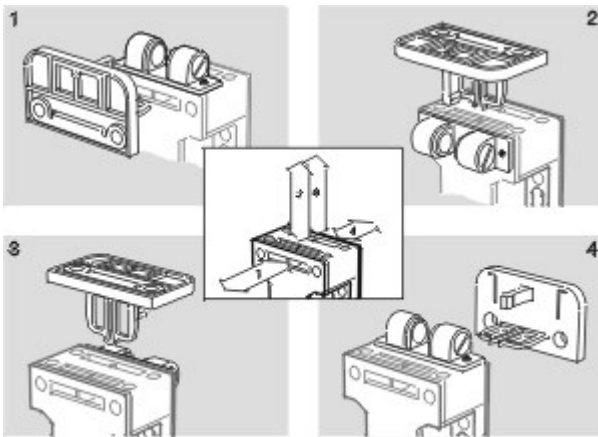
Mounting and wiring instructions (de, en, fr, it, es, jp) 267 kB, 29.08.2006

http://127.0.0.1/Bilddata/AZ/Pdf/Az15_16/montage/m_z15p02.pdf

Images



Dimensional drawing (miscellaneous)



Operating principle
