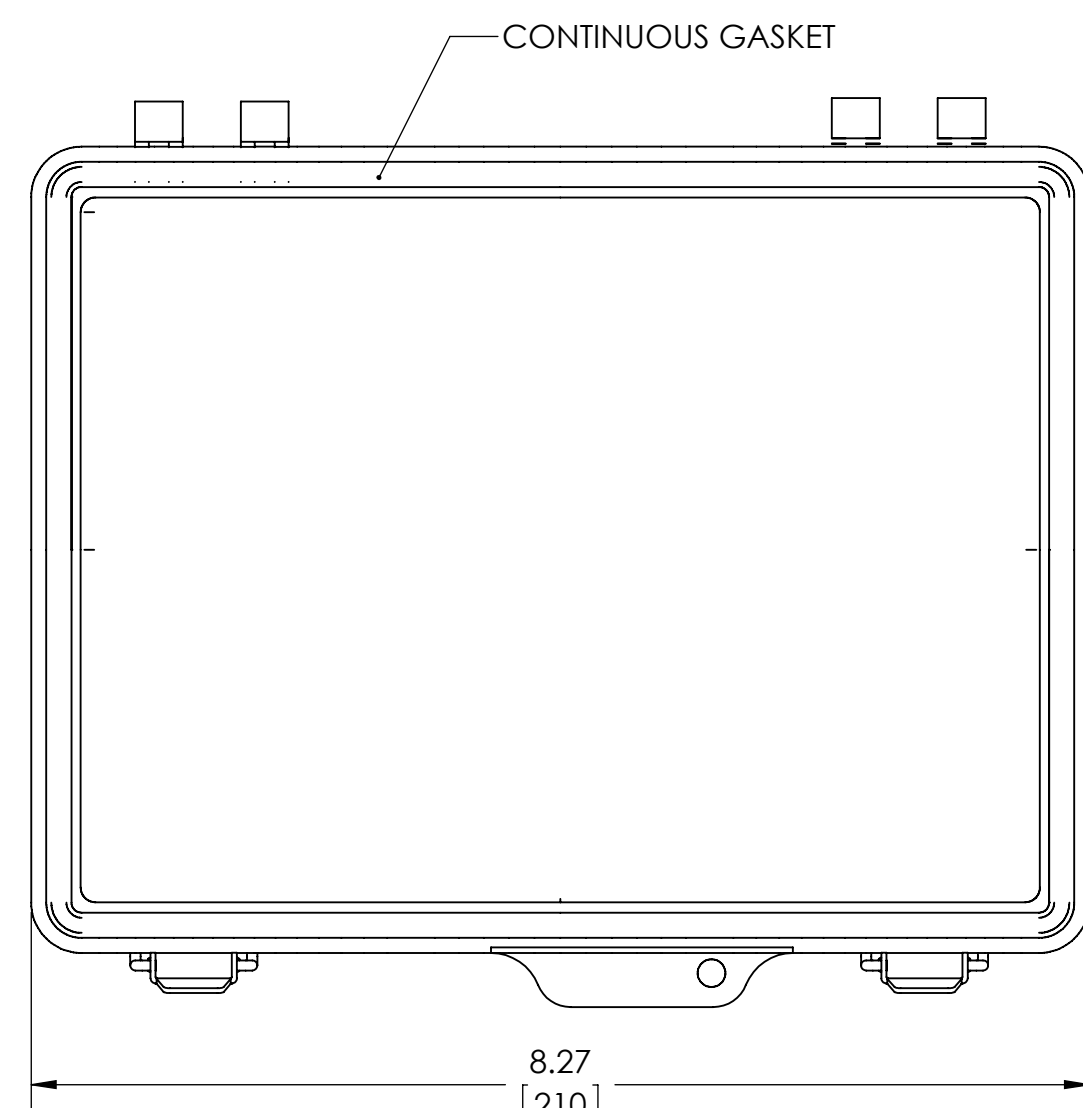
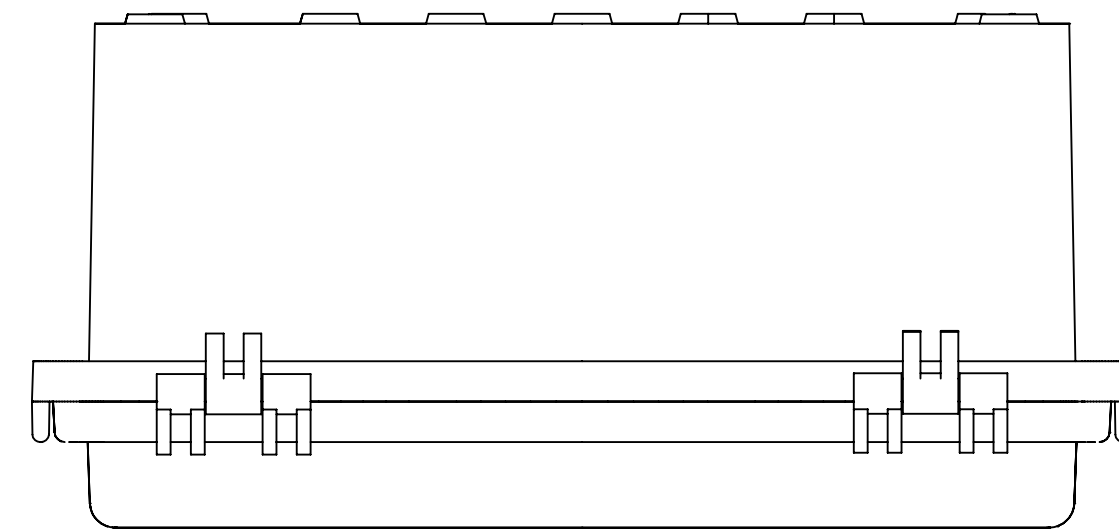
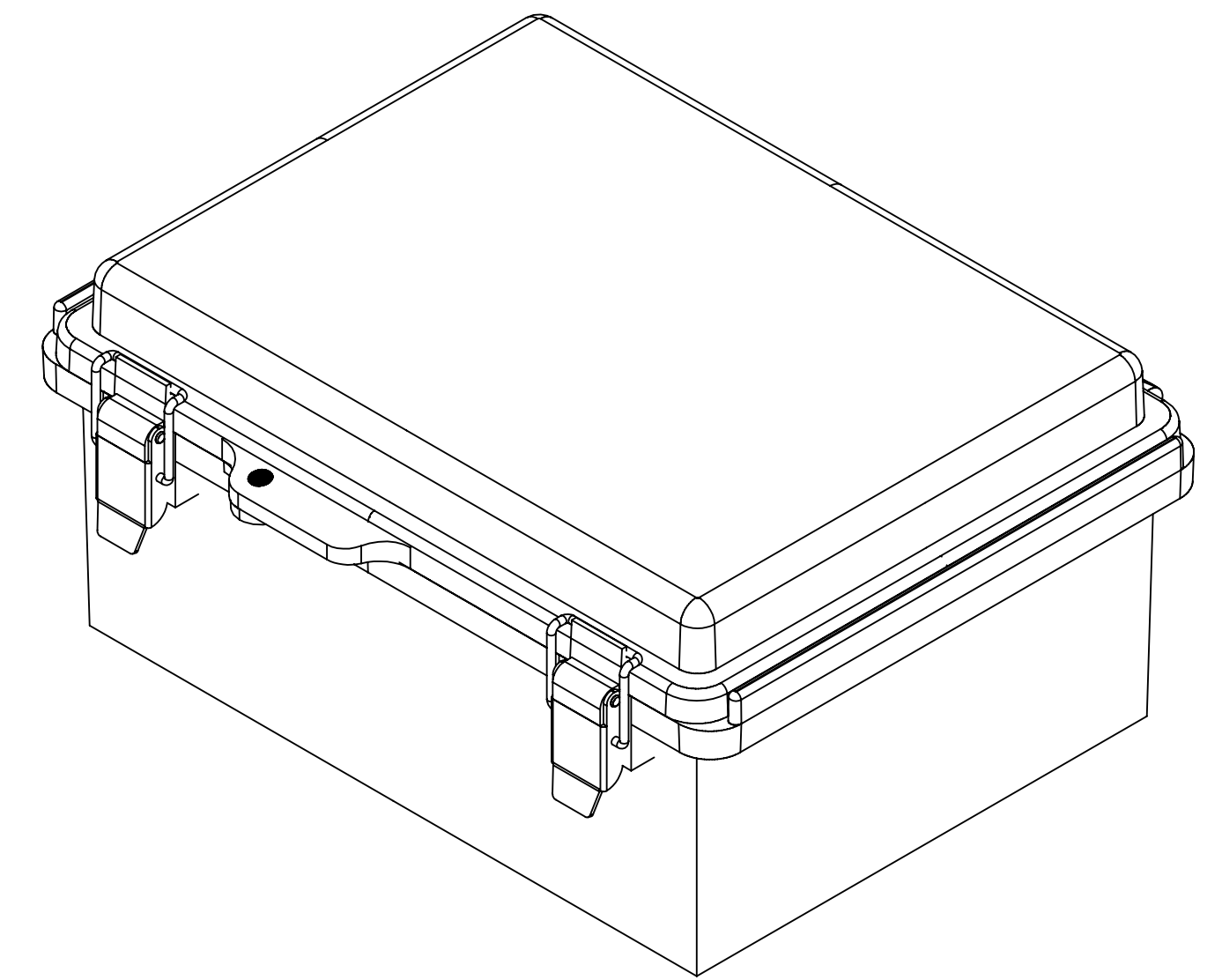
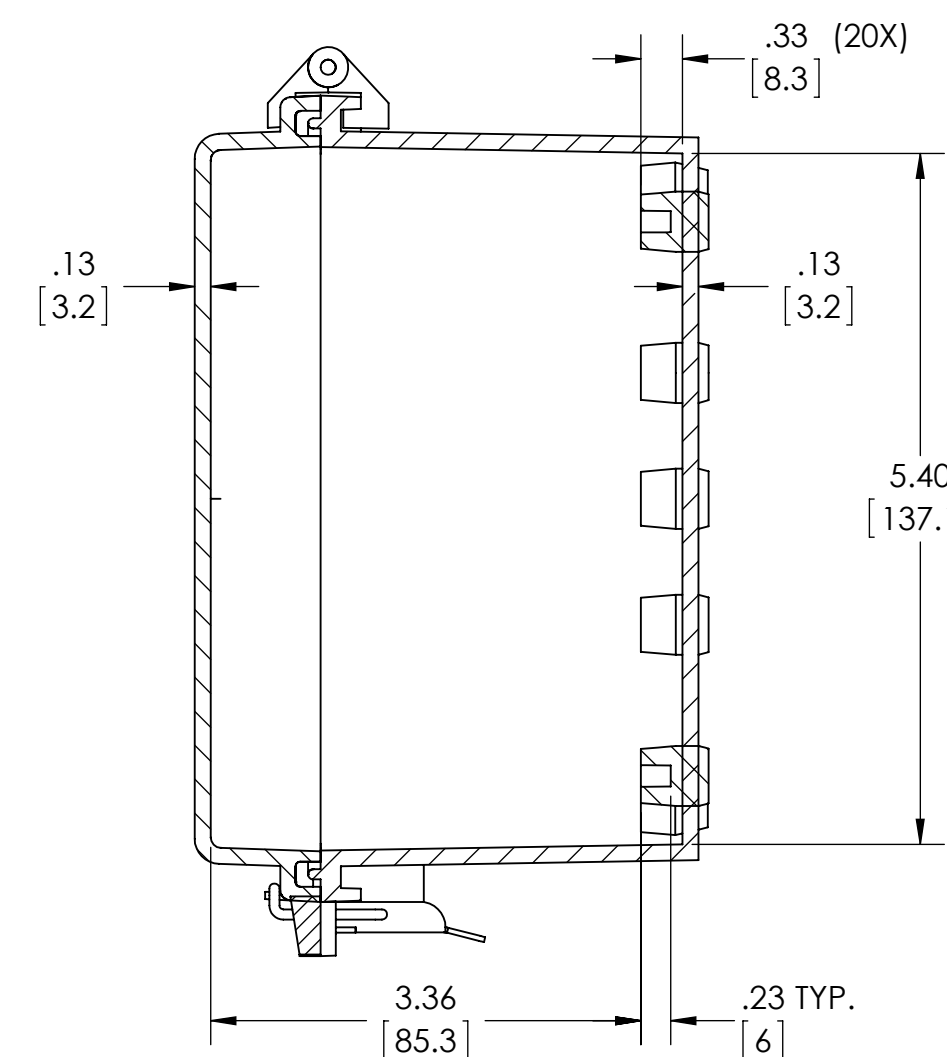
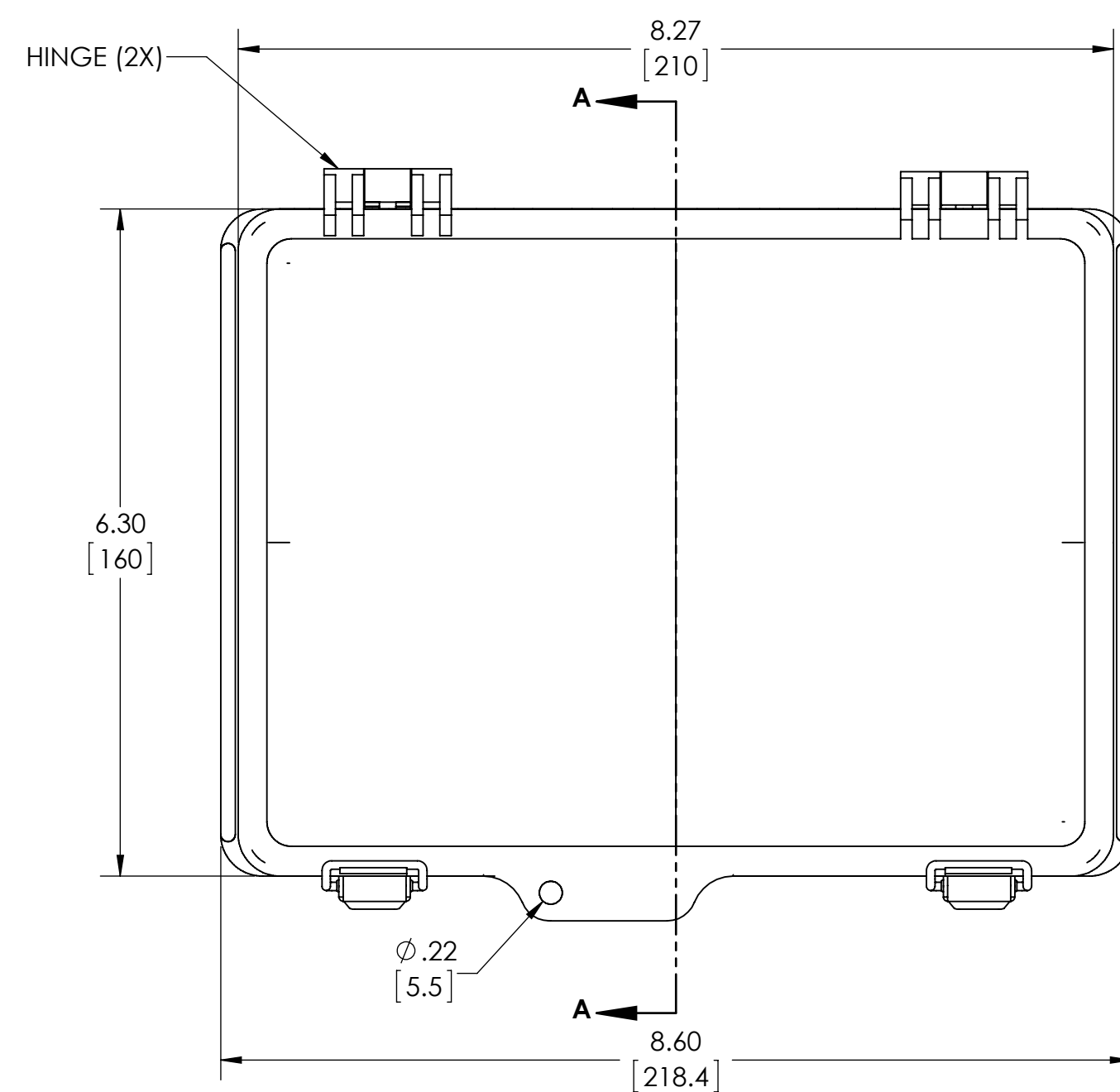
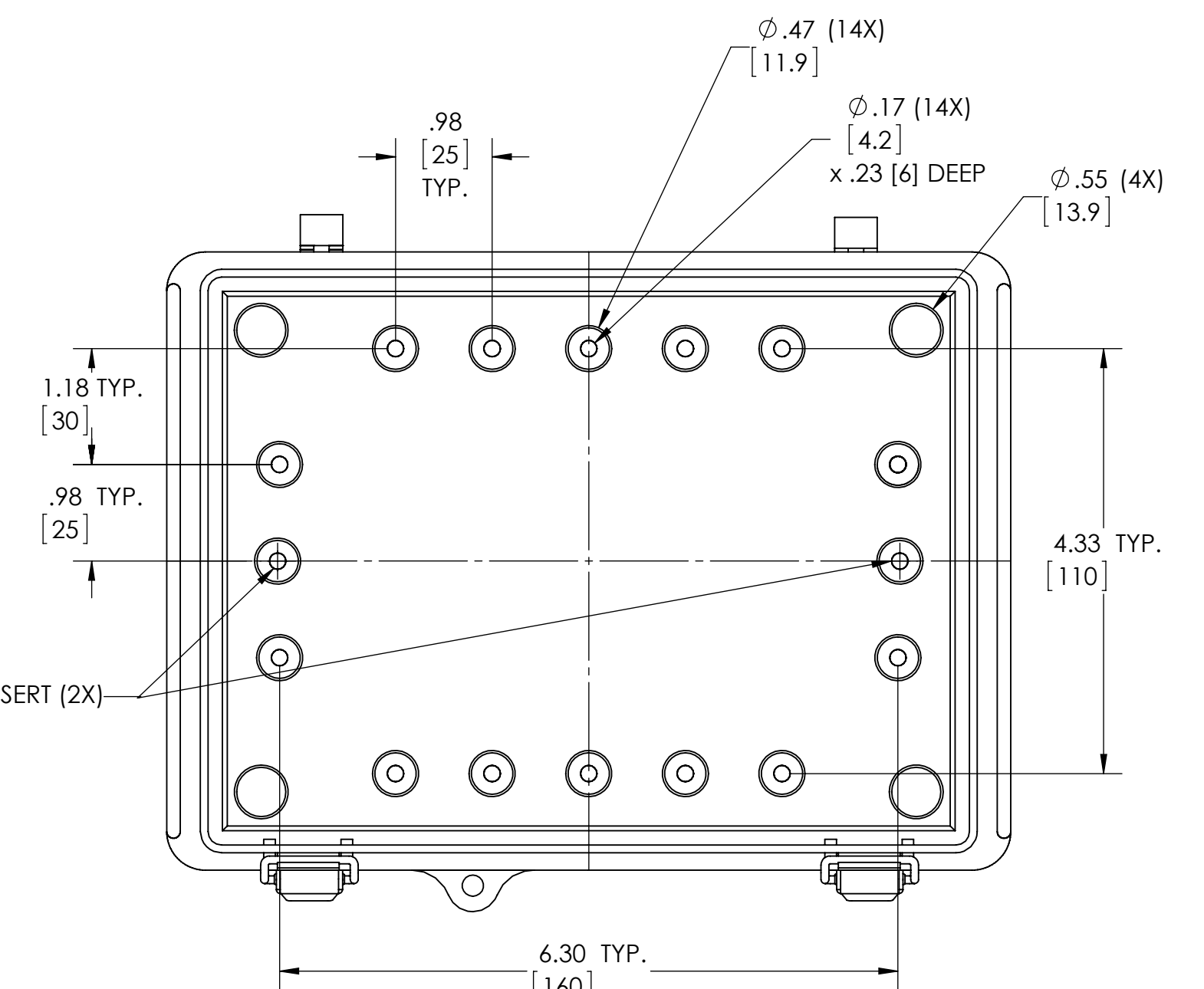


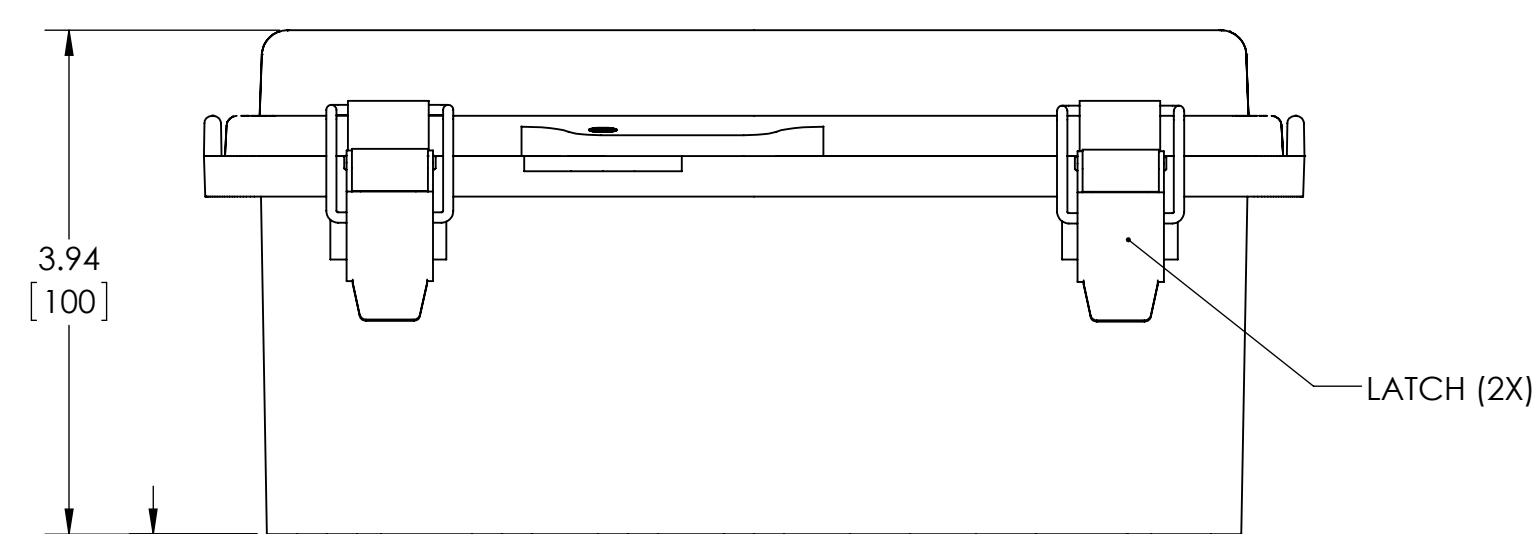
BOTTOM VIEW



INSIDE VIEW OF COVER


 SECTION A-A  
SCALE 1 : 1.5


INSIDE VIEW OF BODY


 .07 PADS TYP.  
[1.9]

- NOTES:
- 1- MATERIAL: BODY - POLYCARBONATE 10% FIBERGLASS REINFORCED  
COVER - POLYCARBONATE  
UL508 /NEMA TYPE 4X WITH IP-67 TUV RATING & UL-94 5VA RATING
  - 2- FINISH: BODY - LIGHT GRAY  
COVER - LIGHT GRAY OR CLEAR (-C)
  - 3- ALL HOLE DIAMETERS HAVE +/- .005(0.13) TOLERANCE  
ALL OTHER DIMENSIONS HAVE +/- 0.03(0.76) TOLERANCE UNLESS  
OTHERWISE SPECIFIED
  - 4- SUPPLIED WITH TWO M4 x 8mm LG. TRUSS HEAD MACHINE SCREWS
  - 5- DIMENSIONS ARE INCH [MM]
  - 6- DRAWING FOR REFERENCE