

ACD22 10 Turns Counting Dial



22mm, 10 turns counting dial in satin-chrome finish, for precision potentiometers and other rotating devices.

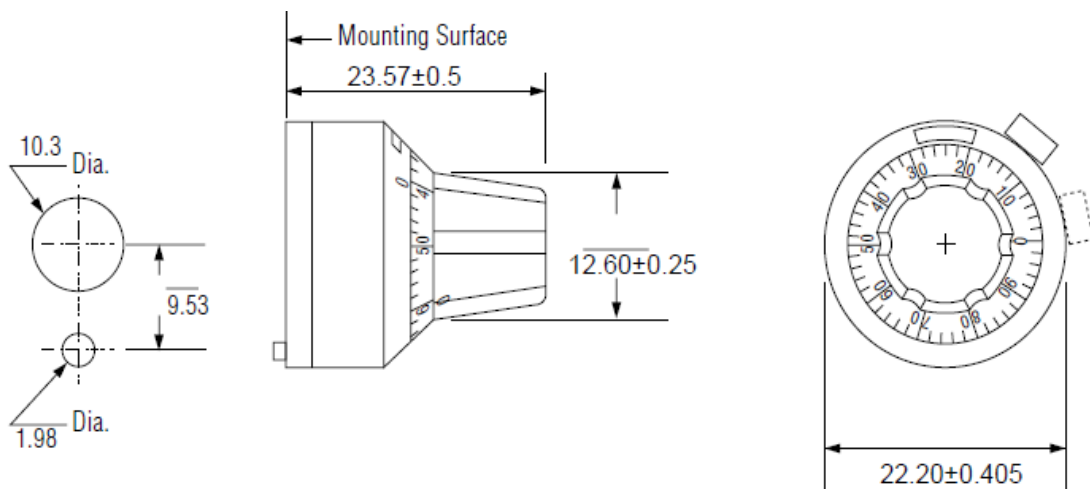
- Compact design
- Accepts 6.35mm (1/4 ") diameter shafts
- Excellent legibility
- Locking brake
- Supplied with allen key



Characteristics

Number of turns:	10 turns
Dial Divisions:	50 Per turn
Diameter:	22mm
Weight:	16 grams
Finish:	Satin-chrome with black plastic knob
Markings:	White on black background
Readout:	Concentric scale

Dimensions



Ordering Procedure

Standard product: Series, diameter, shaft dia, number of turns
ACD22 6.35-10

ARCOL UK Limited,
Threemilestone Ind. Estate,
Truro, Cornwall, TR4 9LG, UK.
T +44 (0) 1872 277431
F +44 (0) 1872 222002
E sales@arcolresistors.com

www.arcolresistors.com

The information contained herein does not form part of a contract and is subject to change without notice. ARCOL operate a policy of continual product development, therefore, specifications may change.

It is the responsibility of the customer to ensure that the component selected from our range is suitable for the intended application. If in doubt please ask ARCOL