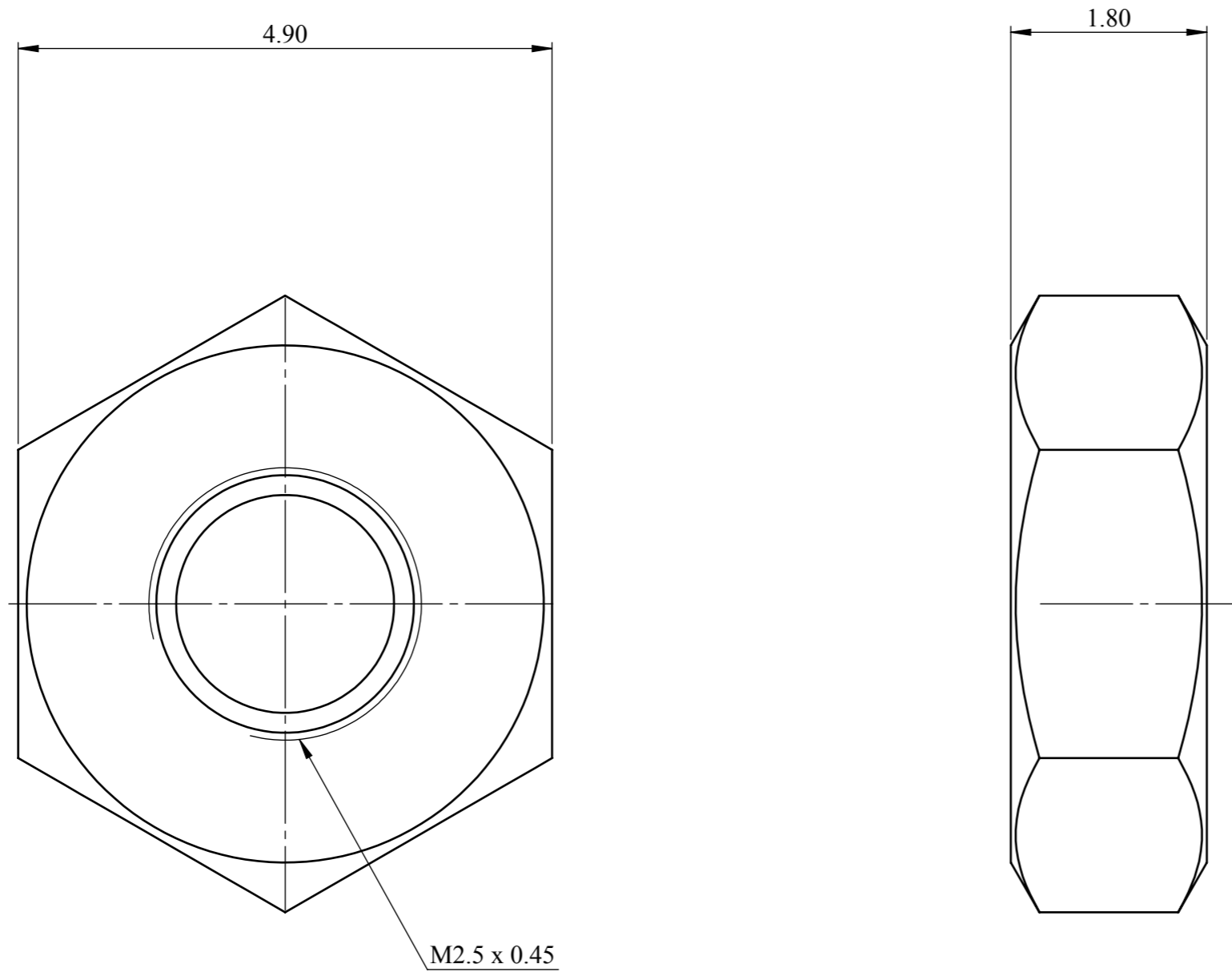


DEBUR AND BREAK SHARP EDGES

DO NOT SCALE DRAWING

REVISION



A DRAWN 17/11/14

NOTES



DESIGN RIGHT. TR FASTENINGS LTD, 2003
 UNDER NO CIRCUMSTANCES MUST THIS
 DRAWING BE COPIED OR DISCLOSED,
 WITHOUT FIRST OBTAINING WRITTEN
 AUTHORITY.

UNLESS OTHERWISE SPECIFIED:
 DIMENSIONS ARE IN MILLIMETERS
 SURFACE FINISH:
 TOLERANCES:

	NAME	DATE
DRAWN	MARTIN ELLIOTT	17/11/14
CHK'D		
APPV'D		

CUSTOMER PART No

MATERIAL:

NYLON 66 UL 94 V2
 NATURAL

HEAT TREATMENT

N/A

FINISH:

N/A

TITLE:

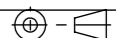
M2.5 HEXAGON FULL NUT

DWG NO.

TR NNE 34814M2.5

A3

PROJECTION



SHEET 1 OF 1