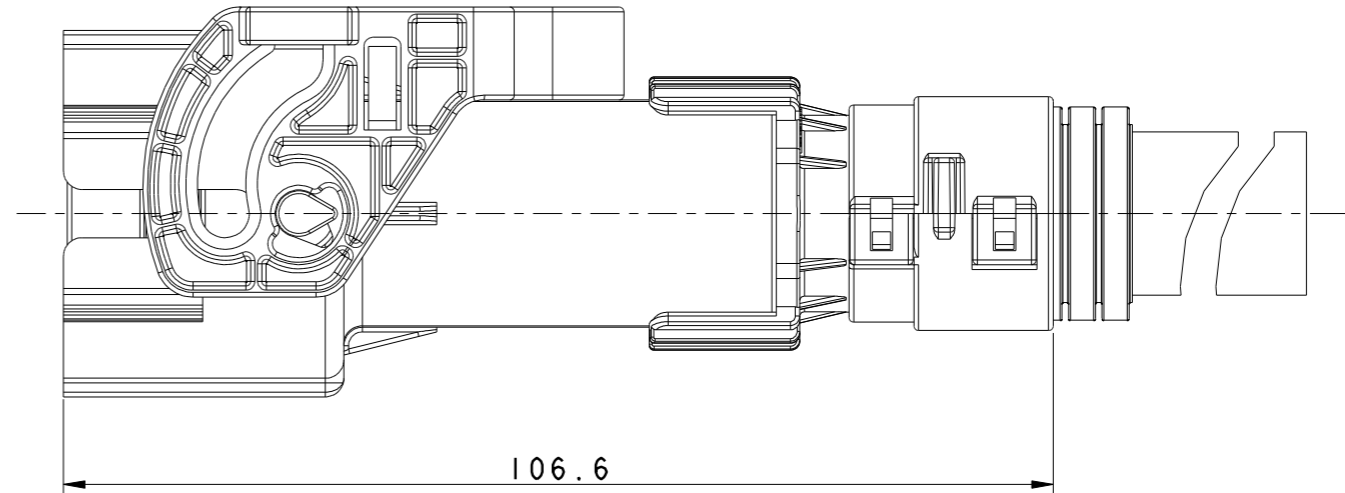
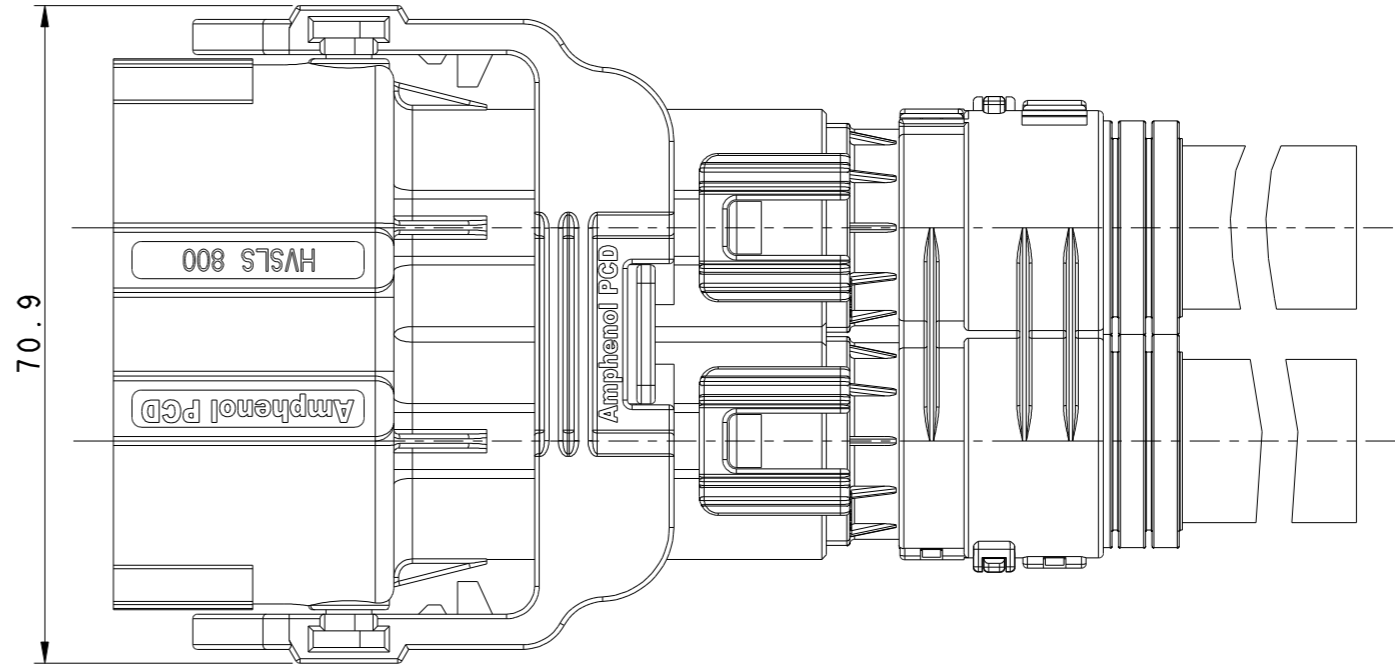
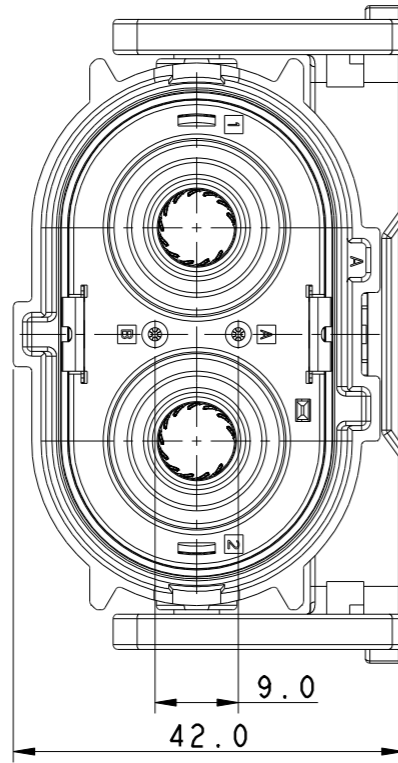


REV	ECN	DESCRIPTION	DATE	MODIFIED
1		PRE-RELEASE	Sep-21-16	

CUSTOMER DRAWING



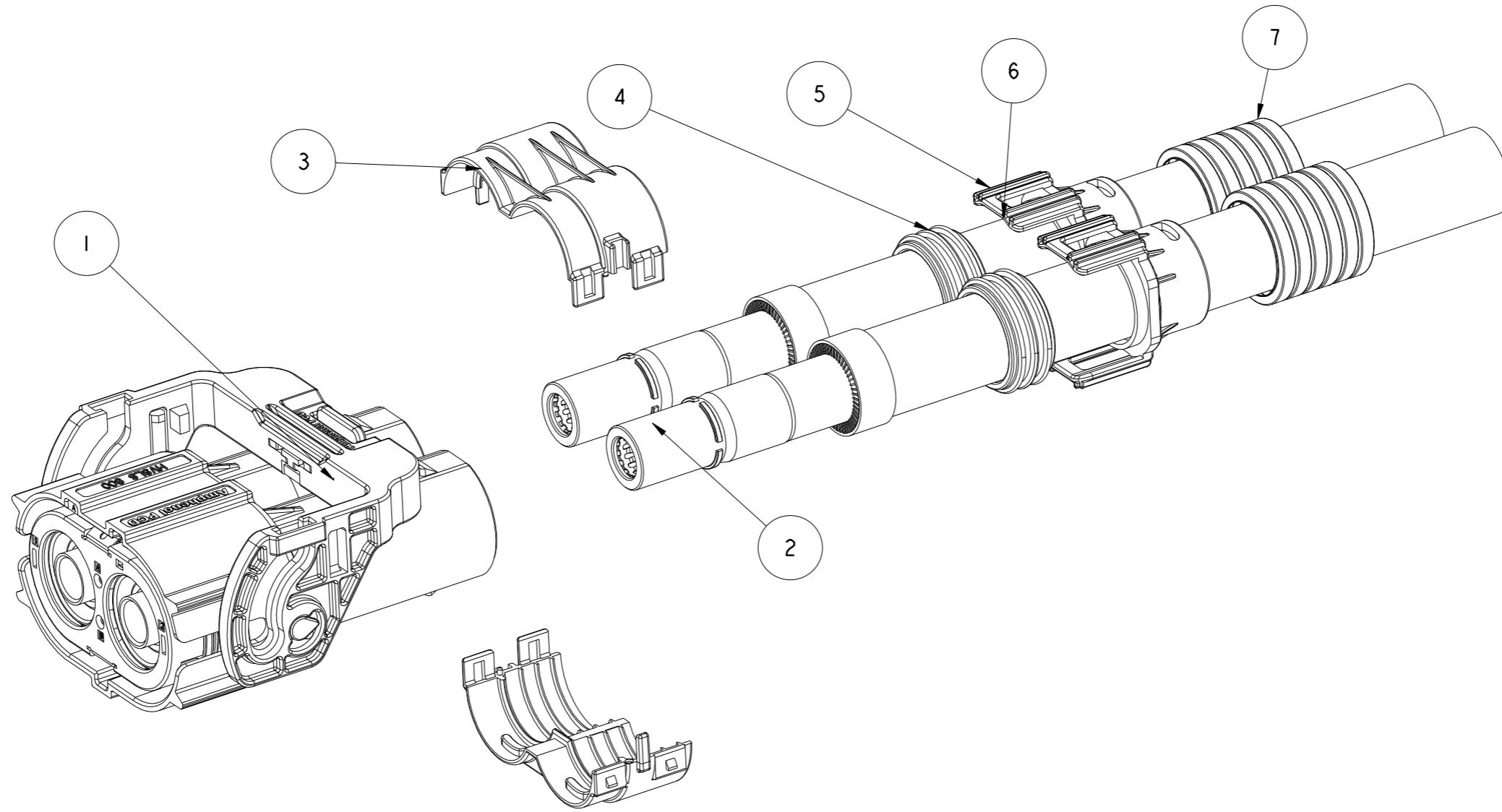
C-HVSL800062X1XX

C-HVSL800062X1XX

TECHNICAL DATA	
CURRENT RATE 25MM <sup>2</sup> WIRE	120A
CURRENT RATE 35MM <sup>2</sup> WIRE	150A
CURRENT RATE 50MM <sup>2</sup> WIRE	180A
VOLTAGE RATE	1000V DC
OPERRATING TEMPERATURE	-40-125°C
DIELECTRIC WITHSTANDING VOLTAGE	3000V AC
INSULATION RESISTANCE	2000M $\Omega$
DURABILITY	50 CYCLES
SHIELDING	YES
WATERPROOF(MATED CONDITION)	IP67 IP6K9K
CORROSION-PROFF GRADE(SALT FOG TEST)	96 HOURS
AMBIENT TEMPERATURE	-40-70°C

DIMENSIONS	TOLERANCES	PROJECTION	TITLE		
ANSI Y14.5M UNITS: MM Pro/E FILE	.X $\pm 0.5$ .XX $\pm 0.30$ ANGLES $\pm 0.5^\circ$		<b>Amphenol Pcd Shenzhen</b> <b>HVSL800 PLUG</b>		
ORIGINAL	THIS DOCUMENT CONTAINS PROPRIETARY INFORMATION WHICH IS THE CONFIDENTIAL PROPERTY OF AMPHENOL PCD SHENZHEN	ENGR <b>Tom Dai</b> <b>Sep-21-16</b> CHKD APPD			
		CODE: 58982	SCALE: 1:1	SHEET 1 OF 6	

CUSTOMER DRAWING



C-HVLS800062X1XX

C-HVLS800062X1XX

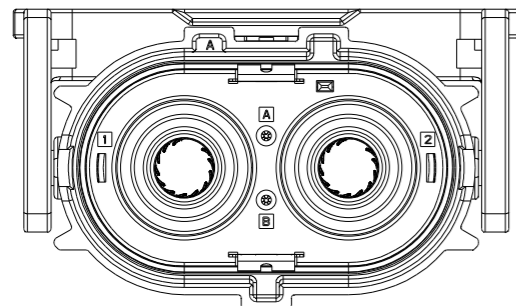
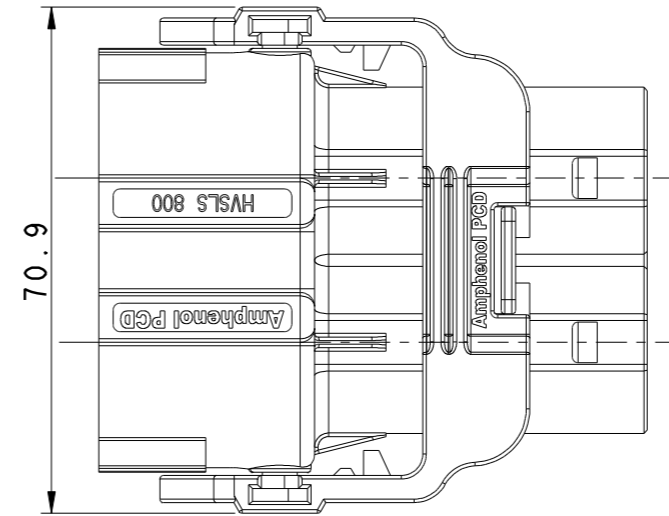
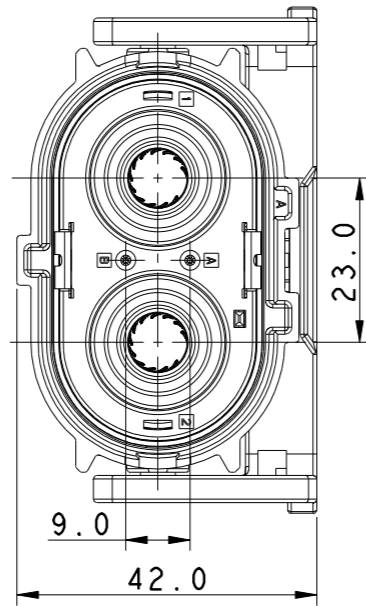
C4220053583	50mm <sup>2</sup> END GAP	C422005358X
C4220053582	35mm <sup>2</sup> END GAP	
C4220053581	25mm <sup>2</sup> END GAP	
C4270052003	50mm <sup>2</sup> CABLE SEAL	C427005200X
C4270052002	35mm <sup>2</sup> CABLE SEAL	
C4270052001	25mm <sup>2</sup> CABLE SEAL	
C4220053603	50mm <sup>2</sup> BELLOWS GAP	C422005360X
C4220053602	35mm <sup>2</sup> BELLOWS GAP	
C4220053601	25mm <sup>2</sup> BELLOWS GAP	
HVLS8000650	50mm <sup>2</sup> SOCKET CONTACT	HVLS80006XX
HVLS8000635	35mm <sup>2</sup> SOCKET CONTACT	
HVLS8000625	25mm <sup>2</sup> SOCKET CONTACT	
HVLS80006B	B KEY	
HVLS80006A	A KEY	HVLS80006X
P/N	DESCRIPTION	REMARK

Notes :  
Number 2-7 assembly for the client

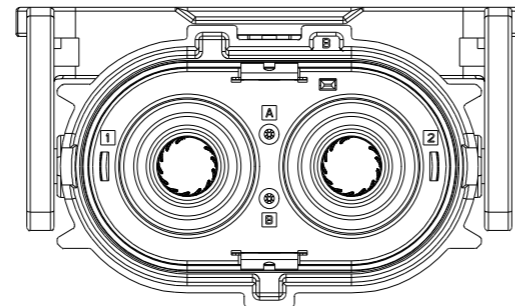
7	/	BELLOWS	2	THE CUSTOMER'S
6	/	CABLE	2	THE CUSTOMER'S
5	C422005358X	END GAP(尾盖)	2	
4	C427005200X	CABLE SEAL(线缆密封圈)	2	
3	C422005360X	BELLOWS GAP(波纹管盖)	2	
2	HVLS80006XX	ASSEMBLE SOCKET CONTACT(母针)	2	ASSEMBLE
1	HVLS80006X	ASSEMBLE PLUG(直头主体)	1	ASSEMBLE
INDEX	P/N	DESCRIPTION	QTY	REMARK

SIZE	DWG NO.	REV
A3	C-HVLS800062X1XX	1
CODE: 58982	SCALE: 1:1	SHEET 2 OF 6

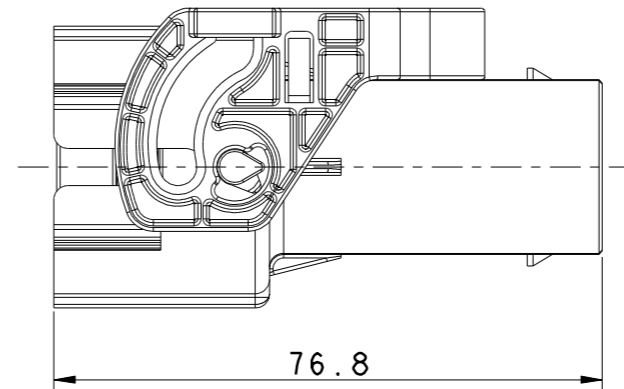
CUSTOMER DRAWING



HVSL80006A



HVSL80006B



P/N:HVSL80006X(直头主体)

SIZE	DWG NO.	REV
A3	C-HVSL800062X1XX	1
CODE: 58982	SCALE: 1:1	SHEET 3 OF 6