



MASTER LEDspot ExpertColor AR111



MAS LEDExpertColor 20-100W 940 AR111 24D

MASTER LEDspot LV ExpertColor creates a warm and comfortable ambience for hospitality venues, homes and restaurants. It creates such an ambience with superior lighting that has a customized spectrum, high CRI, and deep dimming feature. The result? A beautiful lighting experience. What's more, the innovative, trimless lens design will suit almost any interior decor with its clean and neat look. In addition, you can take advantage of the full ExpertColor family, which also includes LEDspot MV and LEDspot Par lamps.

Product data

General Information	
Cap-Base	G53 [G53]
Nominal lifetime	40,000 hour(s)
Switching Cycle	50,000
Lighting Technology	LED
Flux measurement reference	Narrow Cone
Light Technical	
Color Code	940 [CCT of 4000K]
Beam Angle (Nom)	24 degree(s)
Luminous Flux	1,270 lumen
Luminous Intensity (Nom)	4,400 cd
Color Designation	Cool White (CW)
Correlated Color Temperature (Nom)	4000 K
Luminous Efficacy (rated) (Nom)	63 lm/W
Color Consistency	<4
Color rendering index (CRI)	95
LLMF At End Of Nominal Lifetime (Nom)	70 %

Luminous Flux in 90° Cone (Rated)	1,270 lumen
Operating and Electrical	
Line Frequency	50 to 60 Hz
Input Frequency	50 to 60 Hz
Power Consumption	20 W
Lamp Current (Nom)	2,000 mA
Wattage Equivalent	100 W
Starting Time (Nom)	0.5 s
Warm-up time to 60% light	0.5 s
Power Factor (Fraction)	0.7
Voltage (Nom)	12 V
Temperature	
Ambient temperature range	-20 °C to 45 °C
T-Case Maximum (Nom)	77 °C

MASTER LEDspot ExpertColor AR111

Controls and Dimming

Dimmable	Only with specific dimmers
----------	----------------------------

Mechanical and Housing

Bulb Finish	Clear
Bulb Shape	AR111

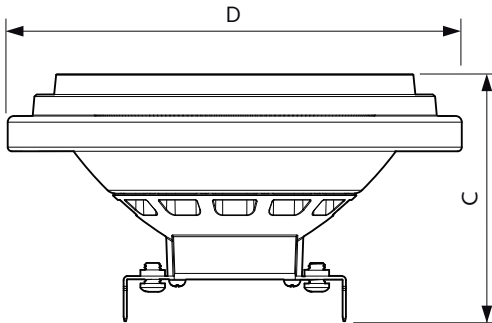
Approval and Application

Energy Efficiency Class	G
Suitable For Accent Lighting	Yes
Energy Consumption kWh/1000 h	20 kWh
EPREL Registration Number	1122534
EU RoHS compliant	Yes

Product Data

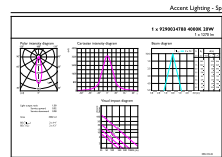
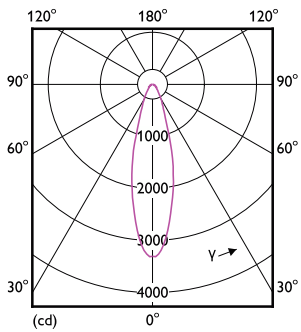
Full product code	871951442973400
Order product name	MAS LEDExpertColor 20-100W 940 AR111 24D
Order code	929003478802
Numerator - Quantity Per Pack	1
Numerator - Packs per outer box	6
Material number (12NC)	929003478802
Full product name	MAS LEDExpertColor 20-100W 940 AR111 24D
EAN/UPC - Case	8719514429741

Dimensional drawing



Product	D	C
MAS LEDExpertColor 20-100W 940 AR111 24D	111 mm	62 mm

Photometric data

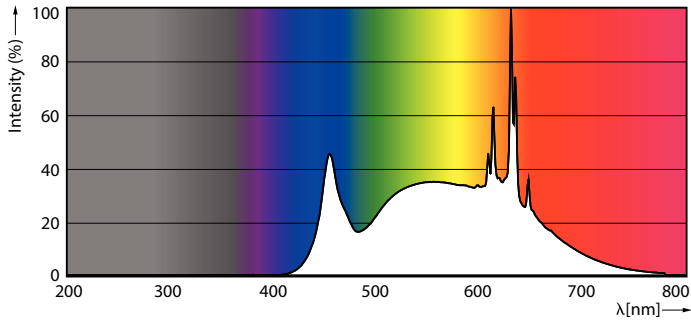


Light Distribution Diagram - MAS LEDExpertColor 20-100W 940 AR111 24D

Accent Lighting Spots - MAS LEDExpertColor 20-100W 940 AR111 24D

MASTER LEDspot ExpertColor AR111

Photometric data



Spectral Power Distribution Colour - MAS LEExpertColor 20-100W 940 AR111 24D

Lifetime



Life Expectancy Diagram - MAS LEExpertColor 20-100W 940 AR111 24D



Lumen Maintenance Diagram - MAS LEExpertColor 20-100W 940 AR111 24D

