

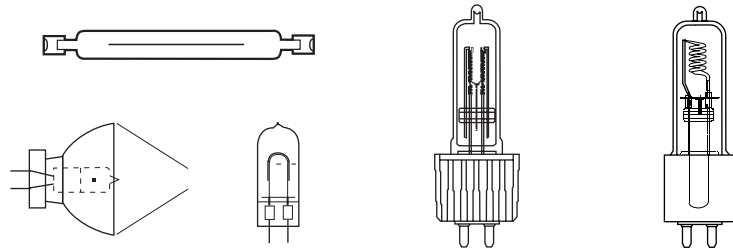
OSRAM BRAND PHOTO-OPTIC LIGHT SOURCES

Lighting to provide solutions in diverse applications such as effect lighting, stage, studio, TV, projection systems, microlithography, medical/scientific, industrial, and airfield/aircraft.

Photo-Optic Lamp Types

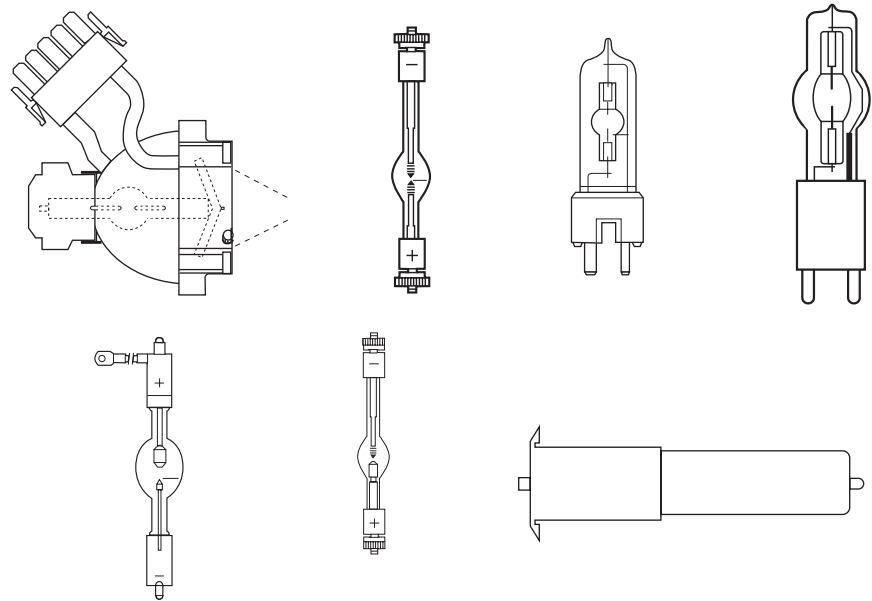
HALOGEN

- Airfield/Aircraft
- Audio Visual
- Special Purpose Heat Lamps
- Studio, Theatre, TV & Video
- HPL
- HPR™
- OSRAM STUDIOLINE®



DISCHARGE

- HBO®
- HMD®
- HMI®
- HMP®
- HSD®
- HSR®
- HTI®
- LINEX®
- VIP®
- XBO®
- XERADEX®



The following item was accepted into the 2003 IESNA Progress Report which recognizes innovative products introduced to the industry during that year.

LINEX Mercury-Free Xenon Fluorescent Systems

IMPORTANT! PHOTO-OPTIC WARNINGS

In accordance with ANSI/IESNA Standard RP-27, all Photo-Optic Discharge lamps are Risk Group 3 products, and all Photo-Optic Incandescent and Tungsten Halogen lamps are Risk Group 2 products.

Please read and understand the Safety and Warning Instructions for each lamp type before use. Safety and Warning Instructions can be found at the end of this Photo-Optic section.

AUDIOVISUAL

ANSI Code	Product Number	Ordering Abbreviation	Application	Watts	Volts	Base	Lumens	Avg Rated Life(hrs)	Bulb	Pkg Qty	Footnotes
EHE	54038	EHE 64626 HLX	Projector	100	12	PG22	3600	50	T4	30	
EHJ	54045	EHJ 64655 HLX	Projector, Microfilm, Microscope, Studio	250	24	G6.35	10000	50	T4	100	
EJA	54753	EJA	Projector - Fiber optics	150	21	GX5.3	354	40	MR16	24	
EJL	54730	EJL	Projector - 16mm Color printer	200	24	GX5.3	725	50	MR16	24	4
EJM	54747	EJM	Projector - 8mm	150	21	GX5.3	170	40	TB18	24	4
EJV	54732	EJV	Projector - 8mm, Printer	150	21	GX5.3	270	100	MR16	24	4
EKE	54842	EKE	Projector - 8mm, Fiber-Optics	150	21	GX5.3	80	200	MR16	24	4
EKE/X	58771	EKE/X	Projector - 8mm, Fiber-Optics	150	21	GX5.3	80	1000	MR16	24	4
EKP/ENA	54734	EKP/ENA	Projector - 8mm	80	30	GX5.3	115	25	MR16	24	4
ELC	54212	ELC 64653 HLX	Overhead projection, fiber-optic, entertainment	250	24	GX5.3		50	MR16	20	
ELC	54840	ELC	Overhead projection, fiber-optic, entertainment	250	24	GX5.3	800	50	MR16	24	4
ELC-3/X	54841	ELC-3/X	Overhead projection, fiber-optic, entertainment	250	24	GX5.3	550	300	MR16	24	4
ELC-7/X	54811	ELC-7/X BULK	Overhead projection, fiber-optic, entertainment	250	24	GX5.3	475	700	MR16	100	4
ELC-7/X	54814	ELC-7/X	Overhead projection, fiber-optic, entertainment	250	24	GX5.3	475	700	MR16	24	4
ELC-HL	54804*	ELC-HL	Overhead projection, fiber-optic, entertainment	250	24	GX5.3	950	50	MR16	24	
ELD	54745	ELD	Projector - Microfilm	150	21	GX5.3	350	40	MR16	24	4
ELH	54776	ELH	Projector - Overhead	300	120	GY5.3	525	35	MR16	24	4
ELS	54810	ELS	Projector	50	16	GX7.9	20	650	TB14	24	4
ELV	54765	ELV	Projector	150	22	GX7.9	225	100	TB18	24	4
ELZ	54816	ELZ	Projector	150	21	GX7.9	350	60	TB18	24	4
EMG	54828	EMG	Projector	500	220	GY9.5		75	T6	24	
EMM/EKS	54960	EMM/EKS	Projector - 16mm	250	24	GX7.9	725	50	MR14	24	4
ENG	54957	ENG	Projector	300	120	GY5.3	690	15	MR16	24	4
ENH	54986	ENH	Projector - Slide	250	120	GY5.3	340	175	MR16	24	4
ENH-5	54988	ENH-5	Projector - Overhead	250	125	GY5.3	340	175	MR16	24	4
ENL	58786	ENL	Projector - Display, Fiber-Optics	50	12	GX5.3	85	4000	MR16	24	
ENX	54984	ENX	Projector - Overhead	360	82	GY5.3	460	75	MR16	24	4
ENX-5	54913	ENX-5	Projector - Overhead	360	86	GY5.3	540	75	MR16	24	4
ENX-7	54916	ENX-7	Projector - Overhead	360	88	GY5.3	540	75	MR16	24	4
EPR	54829	EPR	Projector	500	120	G17t		50	T6	24	1
EPS	54977*	EPS	Projector	500	240	G17t		50	T6	24	1,3
EPS/230	54975*	EPS/230	Projector	500	230	G17t		50	T6	24	3,5
EPT	58782	EPT	Projector - Fiber-Optics	42	11	GX5.3		8000	MR16	24	
EPV	54926	EPV	Projector - Microfilm	90	14	GX5.3	36	500	MR16	24	4