

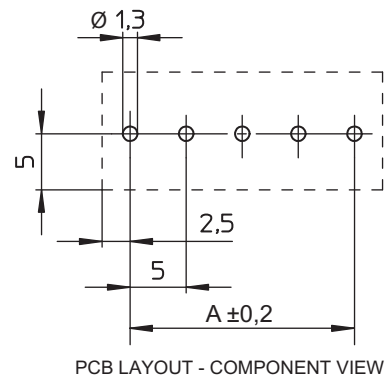
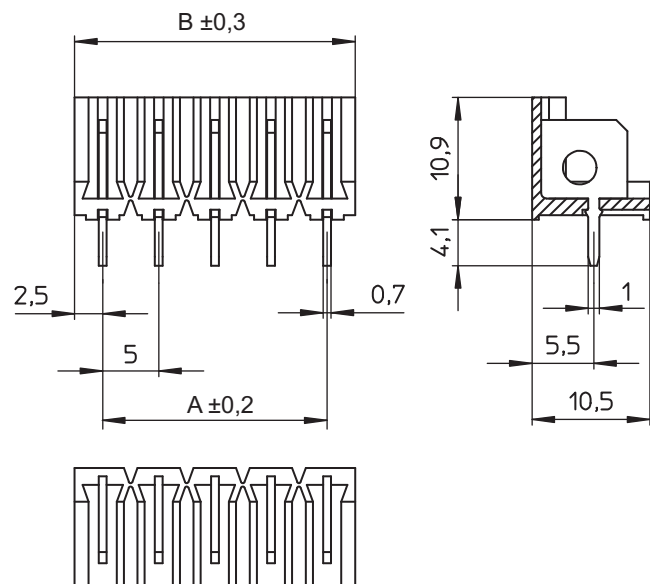
1

2

3

4

5



PCB LAYOUT - COMPONENT VIEW

TECHNICAL CHARACTERISTICS

MATERIAL
 INSULATOR: PC
 FLAMMABILITY RATING: UL94V0
 COLOR: GREY
 METAL HOUSING: COPPER ALLOY / Ni+Sn

ENVIRONMENTAL
 OPERATING TEMPERATURE: -30°C UP TO +120°C
 COMPLIANCE: LEAD FREE AND ROHS

ELECTRICAL	UL	VDE
CURRENT RATING:	14A	16A
WORKING VOLTAGE:	300VAC	250VAC
WITHSTANDING VOLTAGE:	1,6KV	2,5KV
CONTACT RESISTANCE:	20 mΩ MAX	

STANDARD

CERTIFIED: E150931

CAT. N°: CUM (2)

CERTIFIED: 40026528

TYPE: CUM

PITCH: 5 mm

SOLDERING
 JEDEC LEAD FREE WAVE SOLDERING

PACKAGING
 BOX

$A = (\text{nb. pin}-1) \times \text{pitch}$

$B = (\text{nb. pin} \times \text{pitch})$

RoHS Compliant

PROJECTION:



GENERAL TOLERANCE

±0,1



APPROVAL: QL

UNIT: MM

DESCRIPTION: SERIE 3867 - 5.00 MM - PCB HEADER (HORIZONTAL / VERTICAL) - GLOW WIRE PLASTIC - WR-TBL

SIZE

SCALE:

SHEET: 1/2

WERI PART NO: 691 386 700 0xx

A4

APPROVAL: QL

DRAW: AK

G			
F			
E			
D			
C			
B			
A	22-AUG-14	PDF	AK
REV	DATE	FILE	BY

1

2

3

4

5

Cautions and Warnings:

This electronic component is designed and developed with the intention for use in general electronics equipments.

Before incorporating the components into any equipments in the field such as aerospace, aviation, nuclear control, submarine, transportation, (automotive control, train control, ship control), transportation signal, disaster prevention, medical, public information network etc. where higher safety and reliability are especially required or if there is possibility of direct damage or injury to human body, Würth Elektronik must be asked for a written approval.

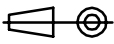

In addition, even electronic component in general electronic equipments, when used in electrical circuits that require high safety, reliability functions or performance, the sufficient reliability evaluation-check for the safety must be performed before by the user before usage.

A

B

C

RoHS Compliant

G				PROJECTION: 	GENERAL TOLERANCE 	DESCRIPTION: DISCLAIMER	SIZE A4
F							
E							
D							
C				APPROVAL: JC	UNIT: MM	WERI PART NO: DISCLAIMER	SIZE A4
B					SCALE:		
A	10-SEP-14	PDF	QL		SHEET: 2/2		
REV	DATE	FILE	BY		DRAW: QL		

D