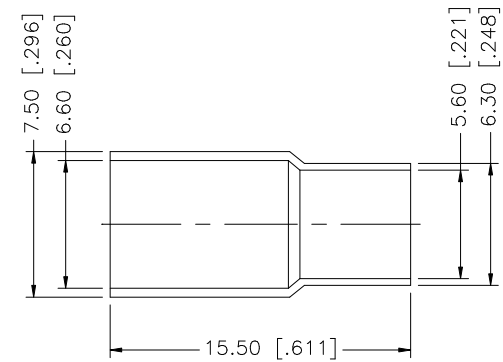
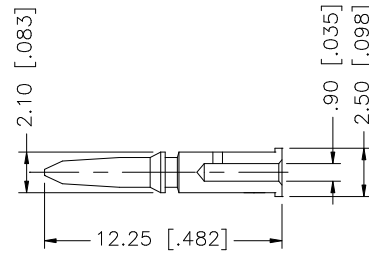
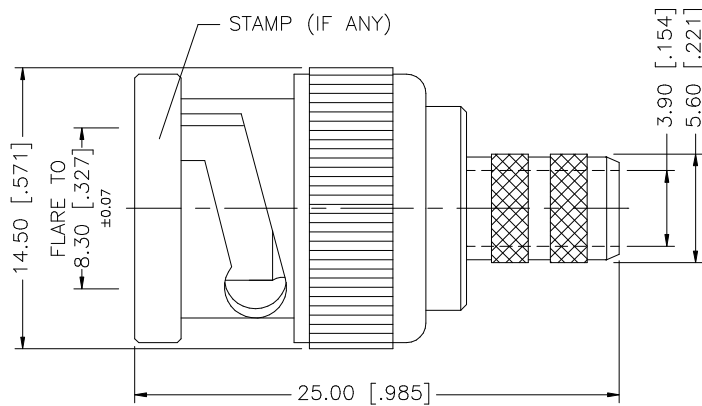
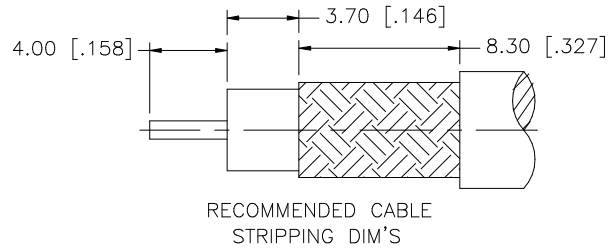


REV.	DATE	DESCRIPTION
A	06/06/05	UPDATE DRAWING FORMAT
B	01/22/07	MODIFY CONTACT PIN I.D. TO 0.9mm



NOTE:

1. CRIMPED FERRULE HEX CRIMP SIZE .255"
2. CRIMPED CONTACT PIN HEX CRIMP SIZE .068"

DESCRIPTION	MATERIAL	FINISH	QTY	DO NOT SCALE DRAWING	APPROVALS	DATE	<h1 style="color: blue; text-align: center;">Amphenol Connex</h1>							
8					DRAWN	G.R.S.	01/22/07	<p style="text-align: center;"><b>BNC CRIMP PLUG (FOR RG-59/U 20AWG CONTACT)</b></p> <p style="text-align: center;">PART NO. <b>112544</b></p>						
7					CHECKED									
6					ISSUED									
5	FERRULE	COPPER	NICKEL	1	SHEET	1 OF 1								
4	GASKET	RUBBER	RED	1	CAD FILE	C:/112/112544.DWG	DWG. NO.					112544.DWG	REV.	B
3	INSULATOR	DELTRIN	NATURAL	1	<small>UNLESS OTHERWISE SPECIFIED DIMENSIONS ARE IN MILLIMETERS. DIMENSIONS IN [ ] ARE IN INCHES AND FOR CUSTOMER REFERENCE ONLY.</small>				<small>UNLESS OTHERWISE SPECIFIED TOLERANCES FOR MILLIMETERS ARE:</small>					
2	CONTACT PIN	BRASS	GOLD	1	<small>UNLESS OTHERWISE SPECIFIED TOLERANCES FOR INCHES ARE:</small>				<small>0.5 - 8mm ± 0.20mm 8 - 30mm ± 0.40mm 30 - 120mm ± 0.50mm</small>					
1	SHELL/BODY	BRASS	NICKEL	1	<small>UNLESS OTHERWISE SPECIFIED TOLERANCES FOR MILLIMETERS ARE:</small>				<small>.020 - .315 = ± 0.007" .315 - 1.180 = ± 0.015" 1.180 - 4.724 = ± 0.020"</small>					