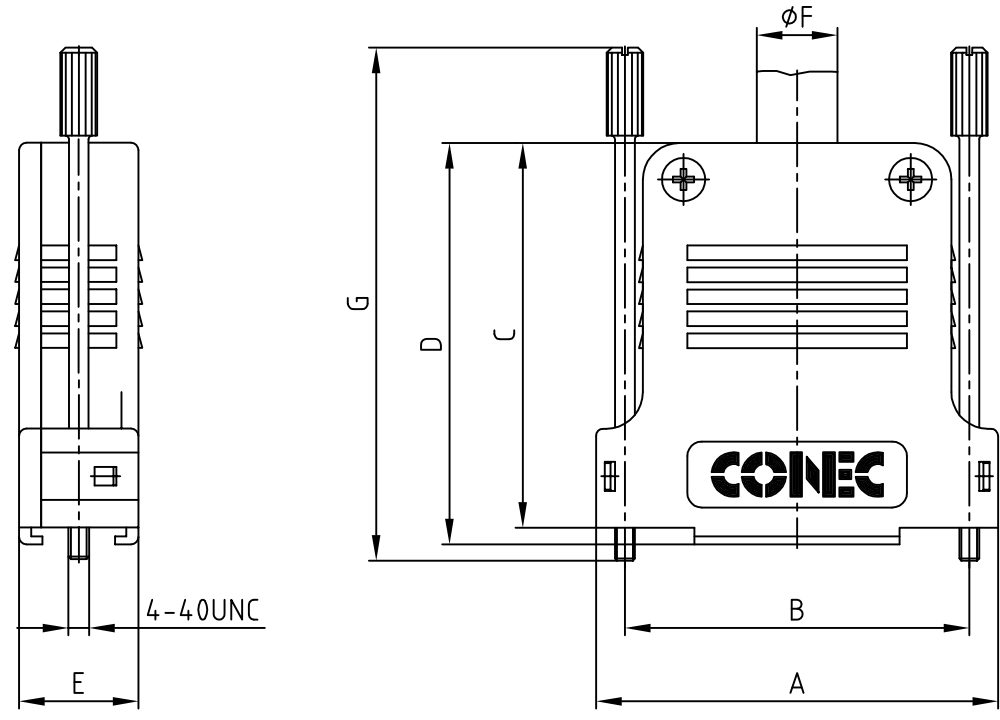


used for: D-SUB



| POS. | A    | B    | C    | D    | E    | ØF   | G    | Part NO.<br>Bulk package | Part NO.<br>Single package |
|------|------|------|------|------|------|------|------|--------------------------|----------------------------|
| 9    | 32.9 | 25.0 | 39.5 | 41.8 | 16.3 | 11.0 | 60.0 | 165X03309A               | 165X03309AE                |
| 15   | 41.2 | 33.3 | 45.5 | 47.8 | 16.3 | 11.0 | 60.0 | 165X03319A               | 165X03319AE                |
| 25   | 54.9 | 47.0 | 52.5 | 54.8 | 16.3 | 12.0 | 70.0 | 165X03329A               | 165X03329AE                |
| 37   | 71.4 | 63.5 | 55.0 | 57.8 | 18.7 | 15.0 | 70.0 | 165X03339A               | 165X03339AE                |
| 50   | 69.0 | 61.1 | 55.0 | 57.8 | 19.5 | 14.0 | 70.0 | 165X03349A               | 165X03349AE                |

(b)

APPROVAL # FREIGABE # DEBLOCAGE # AUTORIZACION # APPROVAL

CUSTOMER APPROVAL DATE:

NAME: TITLE:

COMPANY NAME:

APPROVAL # FREIGABE # DEBLOCAGE # AUTORIZACION # APPROVAL

NOTES:

- (b) 1. MATERIAL: PBT UL 94 V-0; BLACK
- (b) 2. TEMPERATURE RANGE: -40 °C TO +125 °C
- 3. JACK SCREWS: STEEL; NICKEL PLATED

(b) Directive 2002/95/EC RoHS compliant

THIS DRAWING MAY NOT BE COPIED OR REPRODUCED IN ANY WAY, AND MAY NOT BE PASSED ON TO A THIRD PARTY WITHOUT WRITTEN PERMISSION.  
 OWNERSHIP AND COPYRIGHT OF CONEC GmbH  
 DO NOT ALTER CAD DRAWING BY HAND

|           |             |              |         |
|-----------|-------------|--------------|---------|
| tolerance |             | dim. in mm   |         |
| 2003      | date        | name         |         |
| drawn     | 04.08.      | Lehmenkühler |         |
| appd.     | 04.08.      | Mickenbecker |         |
| norm      |             |              |         |
| d-old     |             |              |         |
| 4 x b     | Ä5307       | 25.08.2014   | E.Mick. |
| a         | Original    |              |         |
| rev.      | description | date         | name    |



|           |   |
|-----------|---|
| scale:    | 1:1   |
| material: | SEE NOTES   |
| title:    | PLASTIC HOOD<br>9-50pos. BIG SPACE INSIDE<br>with straight cable exit and jack screws |
| dwg no:   | AutoCAD 2000  |
|           | DIN-A   |
|           | 4   |
|           | sh: 1/1   |
| part no:  | SEE TABLE   |