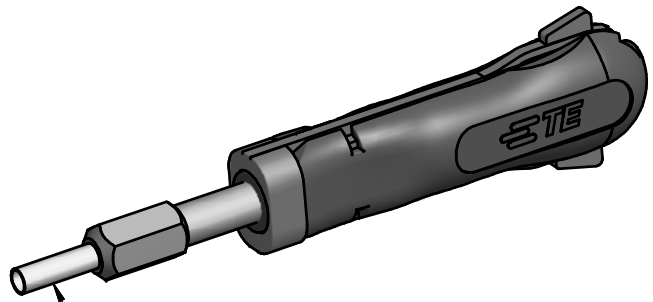
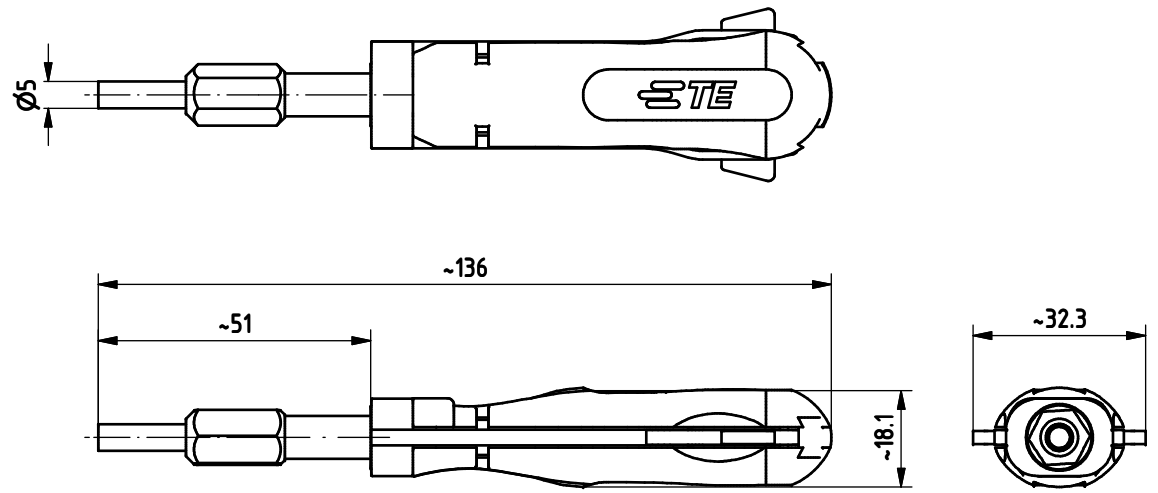


LOC	DIST	REVISIONS					
AI	00	P	LTR	DESCRIPTION	DATE	DWN	APVD
		B2		ECR-16-009527	01JUL16	KH	RG

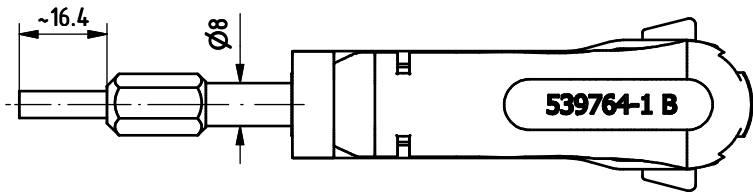


SPARE PART / Ersatzteil
 TE- P/N 5-1579007-9



APPLICATION RANGE / Anwendungsbereich:

Contact MNL Ø 3.5mm 925712



THIS DRAWING IS A CONTROLLED DOCUMENT.		DWN	J. Zajicek	16 JAN 03	TE Connectivity										
DIMENSIONS: mm		CHK	J. Zajicek	16 JAN 03											
		APVD	J. Zajicek	16 JAN 03											
TOLERANCES UNLESS OTHERWISE SPECIFIED: 0 PLC ± 1 PLC ±±± 2 PLC ±±±± 3 PLC ±±±±± 4 PLC ±±±±±± ANGLES ±		PRODUCT SPEC	NAME			EXTRACTION TOOL Entriegelungswerkzeug									
MATERIAL		APPLICATION SPEC	SIZE		RESTRICTED TO										
FINISH		Gewicht / Weight in Kg	0.025		A3	CAGE CODE	00779	DRAWING NO	539764-1	SCALE	1:1	SHEET	1 OF 1	REV	B2
CUSTOMER DRAWING															