



Contactor, 3p+1N/O, 7.5kW/400V/AC3

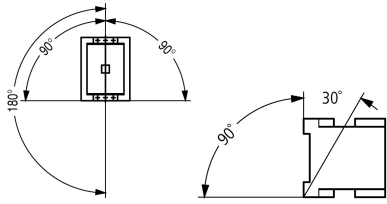
Part no. **DILM15-10(24V50HZ)**
 Catalog No. **290045**
 Eaton Catalog No. **XTCE015B10U**

Delivery program

| | | | | |
|---|----------------|----|--|--|
| Product range | | | | Contactors |
| Application | | | | Contactors for Motors |
| Subrange | | | | Contactors up to 170 A, 3 pole |
| Utilization category | | | | AC-1: Non-inductive or slightly inductive loads, resistance furnaces NAC-3: Normal AC induction motors: starting, switch off during running AC-4: Normal AC induction motors: starting, plugging, reversing, inching |
| Notes | | | | Not suitable for motors with efficiency class IE3. |
| Connection technique | | | | Screw terminals |
| Number of poles | | | | 3 pole |
| Rated operational current | | | | |
| AC-3 | | | | |
| 380 V 400 V | I_e | A | | 15.5 |
| AC-1 | | | | |
| Conventional free air thermal current, 3 pole, 50 - 60 Hz | | | | |
| Open | | | | |
| at 40 °C | $I_{th} = I_e$ | A | | 22 |
| enclosed | I_{th} | A | | 18 |
| Conventional free air thermal current, 1 pole | | | | |
| open | | | | |
| | I_{th} | A | | 50 |
| enclosed | | | | |
| | I_{th} | A | | 45 |
| Max. rating for three-phase motors, 50 - 60 Hz | | | | |
| AC-3 | | | | |
| 220 V 230 V | P | kW | | 4 |
| 380 V 400 V | P | kW | | 7.5 |
| 660 V 690 V | P | kW | | 7 |
| AC-4 | | | | |
| 220 V 230 V | P | kW | | 2 |
| 380 V 400 V | P | kW | | 3 |
| 660 V 690 V | P | kW | | 4.4 |
| Contacts | | | | |
| N/O = Normally open | | | | 1 N/O |
| Contact sequence | | | | |
| Instructions | | | | |
| Can be combined with auxiliary contact | | | | DILM32-XHI.. DILA-XHI(V).. |
| Actuating voltage | | | | 24 V 50 Hz |
| Voltage AC/DC | | | | AC operation |
| Connection to SmartWire-DT | | | | no |

Technical data

| | | | | |
|---------------------------------|------------|---------------|--|---------------------------------|
| General | | | | |
| Standards | | | | IEC/EN 60947, VDE 0660, UL, CSA |
| Lifespan, mechanical | | | | |
| AC operated | Operations | $\times 10^6$ | | 10 |
| Operating frequency, mechanical | | | | |

| | | |
|---|-----------------|--|
| AC operated | Operations/h | 5000 |
| Climatic proofing | | Damp heat, constant, to IEC 60068-2-78 Damp heat, cyclic, to IEC 60068-2-30 |
| Ambient temperature | | |
| Open | °C | -25 - +60 |
| Enclosed | °C | - 25 - 40 |
| Storage | °C | - 40 - 80 |
| Mounting position | |  |
| Mechanical shock resistance (IEC/EN 60068-2-27) | | |
| Half-sinusoidal shock, 10 ms | | |
| Main contacts | | |
| N/O contact | g | 10 |
| Auxiliary contacts | | |
| N/O contact | g | 7 |
| N/C contact | g | 5 |
| Mechanical shock resistance (IEC/EN 60068-2-27) when tabletop-mounted | | |
| Half-sinusoidal shock, 10 ms | | |
| Main contacts | | |
| N/O contact | g | 5.7 |
| Auxiliary contacts | | |
| N/O contact | g | 3.4 |
| N/C contact | g | 3.4 |
| Degree of Protection | | IP20 |
| Protection against direct contact when actuated from front (EN 50274) | | Finger and back-of-hand proof |
| Weight | | |
| AC operated | kg | 0.24 |
| Screw connector terminals | | |
| Terminal capacity main cable | | |
| Solid | mm ² | 1 x (0.75 - 4) 2 x (0.75 - 2.5) |
| Flexible with ferrule | mm ² | 1 x (0.75 - 2.5) 2 x (0.75 - 2.5) |
| Solid or stranded | AWG | single 18 - 10, double 18 - 14 |
| Stripping length | mm | 10 |
| Terminal screw | | M3.5 |
| Tightening torque | Nm | 1.2 |
| Tool | | |
| Pozidriv screwdriver | Size | 2 |
| Standard screwdriver | mm | 0.8 x 5.5 1 x 6 |
| Terminal capacity control circuit cables | | |
| Solid | mm ² | 1 x (0.75 - 4) 2 x (0.75 - 2.5) |
| Flexible with ferrule | mm ² | 1 x (0.75 - 2.5) 2 x (0.75 - 2.5) |
| Solid or stranded | AWG | 18 - 14 |
| Stripping length | mm | 10 |
| Terminal screw | | M3.5 |
| Tightening torque | Nm | 1.2 |
| Tool | | |
| Pozidriv screwdriver | Size | 2 |
| Standard screwdriver | mm | 0.8 x 5.5 1 x 6 |

Main conducting paths

| | | | |
|--|----------------|------|-------|
| Rated impulse withstand voltage | U_{imp} | V AC | 8000 |
| Overtoltage category/pollution degree | | | III/3 |
| Rated insulation voltage | U_i | V AC | 690 |
| Rated operational voltage | U_e | V AC | 690 |
| Safe isolation to EN 61140 | | | |
| between coil and contacts | | V AC | 400 |
| between the contacts | | V AC | 400 |
| Making capacity (p.f. to IEC/EN 60947) | | | |
| | U_p to 690 V | A | 155 |
| Breaking capacity | | | |
| 220 V 230 V | | A | 124 |
| 380 V 400 V | | A | 124 |
| 500 V | | A | 100 |
| 660 V 690 V | | A | 70 |
| Short-circuit rating | | | |
| Short-circuit protection maximum fuse | | | |
| Type "2" coordination | | | |
| 400 V | gG/gL 500 V | A | 20 |
| 690 V | gG/gL 690 V | A | 20 |
| Type "1" coordination | | | |
| 400 V | gG/gL 500 V | A | 63 |
| 690 V | gG/gL 690 V | A | 50 |

AC

| | | | |
|---|----------------|-----|------|
| AC-1 | | | |
| Rated operational current | | | |
| Conventional free air thermal current, 3 pole, 50 - 60 Hz | | | |
| Open | | | |
| at 40 °C | $I_{th} = I_e$ | A | 22 |
| at 50 °C | $I_{th} = I_e$ | A | 21 |
| at 55 °C | $I_{th} = I_e$ | A | 21 |
| at 60 °C | $I_{th} = I_e$ | A | 20 |
| enclosed | I_{th} | A | 18 |
| Conventional free air thermal current, 1 pole | | | |
| open | I_{th} | A | 50 |
| enclosed | I_{th} | A | 45 |
| AC-3 | | | |
| Rated operational current | | | |
| Open, 3-pole: 50 – 60 Hz | | | |
| 220 V 230 V | I_e | A | 15.5 |
| 240 V | I_e | A | 15.5 |
| 380 V 400 V | I_e | A | 15.5 |
| 415 V | I_e | A | 15.5 |
| 440V | I_e | A | 15.5 |
| 500 V | I_e | A | 12.5 |
| 660 V 690 V | I_e | A | 9 |
| 380 V 400 V | I_e | A | 15.5 |
| Motor rating | P | kWh | |
| 220 V 230 V | P | kW | 4 |
| 240V | P | kW | 4.6 |
| 380 V 400 V | P | kW | 7.5 |
| 415 V | P | kW | 8 |
| 440 V | P | kW | 8.4 |
| 500 V | P | kW | 7.5 |

| | | | |
|--------------------------|-------|----|-----|
| 660 V 690 V | P | kW | 7 |
| AC-4 | | | |
| Open, 3-pole: 50 – 60 Hz | | | |
| 220 V 230 V | I_e | A | 7 |
| 240 V | I_e | A | 7 |
| 380 V 400 V | I_e | A | 7 |
| 415 V | I_e | A | 7 |
| 440 V | I_e | A | 7 |
| 500 V | I_e | A | 6 |
| 660 V 690 V | I_e | A | 5 |
| Motor rating | | | |
| 220 V 230 V | P | kW | 2 |
| 240 V | P | kW | 2.2 |
| 380 V 400 V | P | kW | 3 |
| 415 V | P | kW | 3.4 |
| 440 V | P | kW | 3.6 |
| 500 V | P | kW | 3.5 |
| 660 V 690 V | P | kW | 4.4 |

DC

| | | | |
|--|-------|---|----|
| Rated operational current, open | | | |
| DC-1 | | | |
| 60 V | I_e | A | 20 |
| 110 V | I_e | A | 20 |
| 220 V | I_e | A | 15 |

Current heat loss

| | | | |
|--|--|----|-----|
| 3 pole, at I_{th} (60°) | | W | 2.5 |
| Current heat loss at I_e to AC-3/400 V | | W | 1.5 |
| Impedance per pole | | mΩ | 2.5 |

Magnet systems

| | | | |
|---|---------------|---------|-----------|
| Voltage tolerance | | | |
| AC operated | Pick-up | x U_c | 0.8 - 1.1 |
| Drop-out voltage AC operated | Drop-out | x U_c | 0.3 - 0.6 |
| Power consumption of the coil in a cold state and 1.0 x U_S | | | |
| 50 Hz | Pick-up | VA | 24 |
| 50 Hz | Sealing | VA | 3.4 |
| 50 Hz | Sealing | W | 1.4 |
| 60 Hz | Pick-up | VA | 30 |
| 60 Hz | Sealing | VA | 4.4 |
| 60 Hz | Sealing | W | 1.4 |
| Duty factor | | % DF | 100 |
| Changeover time at 100 % U_S (recommended value) | | | |
| Main contacts | | | |
| AC operated | | | |
| | Closing delay | ms | 15 - 21 |
| | Opening delay | ms | 9 - 18 |
| | Arcing time | ms | 10 |

Electromagnetic compatibility (EMC)

| | | | |
|-----------------------|--|--|---------------|
| Emitted interference | | | to EN 60947-1 |
| Interference immunity | | | to EN 60947-1 |

Rating data for approved types

| | | | |
|---------------------------|--|----|---|
| Switching capacity | | | |
| Maximum motor rating | | | |
| Three-phase | | | |
| 200 V 208 V | | HP | 5 |
| 230 V | | HP | 5 |

| | | |
|---|------|-------------------------|
| 240 V | | |
| 460 V 480 V | HP | 10 |
| 575 V 600 V | HP | 10 |
| Single-phase | | |
| 115 V 120 V | HP | 1 |
| 230 V 240 V | HP | 3 |
| General use | A | 20 |
| Auxiliary contacts | | |
| Pilot Duty | | |
| AC operated | | A600 |
| DC operated | | P300 |
| General Use | | |
| AC | V | 600 |
| AC | A | 10 |
| DC | V | 250 |
| DC | A | 1 |
| Short Circuit Current Rating | SCCR | |
| Basic Rating | | |
| SCCR | kA | 5 |
| max. Fuse | A | 45 |
| max. CB | A | 60 |
| 480 V High Fault | | |
| SCCR (fuse) | kA | 30/100 |
| max. Fuse | A | 25 Class RK5/60 Class J |
| 600 V High Fault | | |
| SCCR (fuse) | kA | 30/100 |
| max. Fuse | A | 25 Class RK5/60 Class J |
| Special Purpose Ratings | | |
| Electrical Discharge Lamps (Ballast) | | |
| 480V 60Hz 3phase, 277V 60Hz 1phase | A | 20 |
| 600V 60Hz 3phase, 347V 60Hz 1phase | A | 20 |
| Incandescent Lamps (Tungsten) | | |
| 480V 60Hz 3phase, 277V 60Hz 1phase | A | 14 |
| 600V 60Hz 3phase, 347V 60Hz 1phase | A | 14 |
| Resistance Air Heating | | |
| 480V 60Hz 3phase, 277V 60Hz 1phase | A | 20 |
| 600V 60Hz 3phase, 347V 60Hz 1phase | A | 20 |
| Refrigeration Control (CSA only) | | |
| LRA 480V 60Hz 3phase | A | 60 |
| FLA 480V 60Hz 3phase | A | 10 |
| LRA 600V 60Hz 3phase | A | 60 |
| FLA 600V 60Hz 3phase | A | 10 |
| Definite Purpose Ratings (100,000 cycles acc. to UL 1995) | | |
| LRA 480V 60Hz 3phase | A | 90 |
| FLA 480V 60Hz 3phase | A | 15 |
| Elevator Control | | |
| 200V 60Hz 3phase | HP | 2 |
| 200V 60Hz 3phase | A | 7.8 |
| 240V 60Hz 3phase | HP | 3 |
| 240V 60Hz 3phase | A | 9.6 |
| 480V 60Hz 3phase | HP | 7.5 |
| 480V 60Hz 3phase | A | 11 |
| 600V 60Hz 3phase | HP | 7.5 |

| | | |
|------------------|---|---|
| 600V 60Hz 3phase | A | 9 |
|------------------|---|---|

Design verification as per IEC/EN 61439

| Technical data for design verification | | | |
|--|------------|----|------|
| Rated operational current for specified heat dissipation | I_n | A | 15.5 |
| Heat dissipation per pole, current-dependent | P_{vid} | W | 0.5 |
| Equipment heat dissipation, current-dependent | P_{vid} | W | 0 |
| Static heat dissipation, non-current-dependent | P_{vs} | W | 1.4 |
| Heat dissipation capacity | P_{diss} | W | 0 |
| Operating ambient temperature min. | | °C | -25 |
| Operating ambient temperature max. | | °C | 60 |
| IEC/EN 61439 design verification | | | |
| 10.2 Strength of materials and parts | | | |
| 10.2.2 Corrosion resistance | | | |
| Meets the product standard's requirements. | | | |
| 10.2.3.1 Verification of thermal stability of enclosures | | | |
| Meets the product standard's requirements. | | | |
| 10.2.3.2 Verification of resistance of insulating materials to normal heat | | | |
| Meets the product standard's requirements. | | | |
| 10.2.3.3 Verification of resistance of insulating materials to abnormal heat and fire due to internal electric effects | | | |
| Meets the product standard's requirements. | | | |
| 10.2.4 Resistance to ultra-violet (UV) radiation | | | |
| Meets the product standard's requirements. | | | |
| 10.2.5 Lifting | | | |
| Does not apply, since the entire switchgear needs to be evaluated. | | | |
| 10.2.6 Mechanical impact | | | |
| Does not apply, since the entire switchgear needs to be evaluated. | | | |
| 10.2.7 Inscriptions | | | |
| Meets the product standard's requirements. | | | |
| 10.3 Degree of protection of ASSEMBLIES | | | |
| Does not apply, since the entire switchgear needs to be evaluated. | | | |
| 10.4 Clearances and creepage distances | | | |
| Meets the product standard's requirements. | | | |
| 10.5 Protection against electric shock | | | |
| Does not apply, since the entire switchgear needs to be evaluated. | | | |
| 10.6 Incorporation of switching devices and components | | | |
| Does not apply, since the entire switchgear needs to be evaluated. | | | |
| 10.7 Internal electrical circuits and connections | | | |
| Is the panel builder's responsibility. | | | |
| 10.8 Connections for external conductors | | | |
| Is the panel builder's responsibility. | | | |
| 10.9 Insulation properties | | | |
| 10.9.2 Power-frequency electric strength | | | |
| Is the panel builder's responsibility. | | | |
| 10.9.3 Impulse withstand voltage | | | |
| Is the panel builder's responsibility. | | | |
| 10.9.4 Testing of enclosures made of insulating material | | | |
| Is the panel builder's responsibility. | | | |
| 10.10 Temperature rise | | | |
| The panel builder is responsible for the temperature rise calculation. Eaton will provide heat dissipation data for the devices. | | | |
| 10.11 Short-circuit rating | | | |
| Is the panel builder's responsibility. The specifications for the switchgear must be observed. | | | |
| 10.12 Electromagnetic compatibility | | | |
| Is the panel builder's responsibility. The specifications for the switchgear must be observed. | | | |
| 10.13 Mechanical function | | | |
| The device meets the requirements, provided the information in the instruction leaflet (IL) is observed. | | | |

Technical data ETIM 7.0

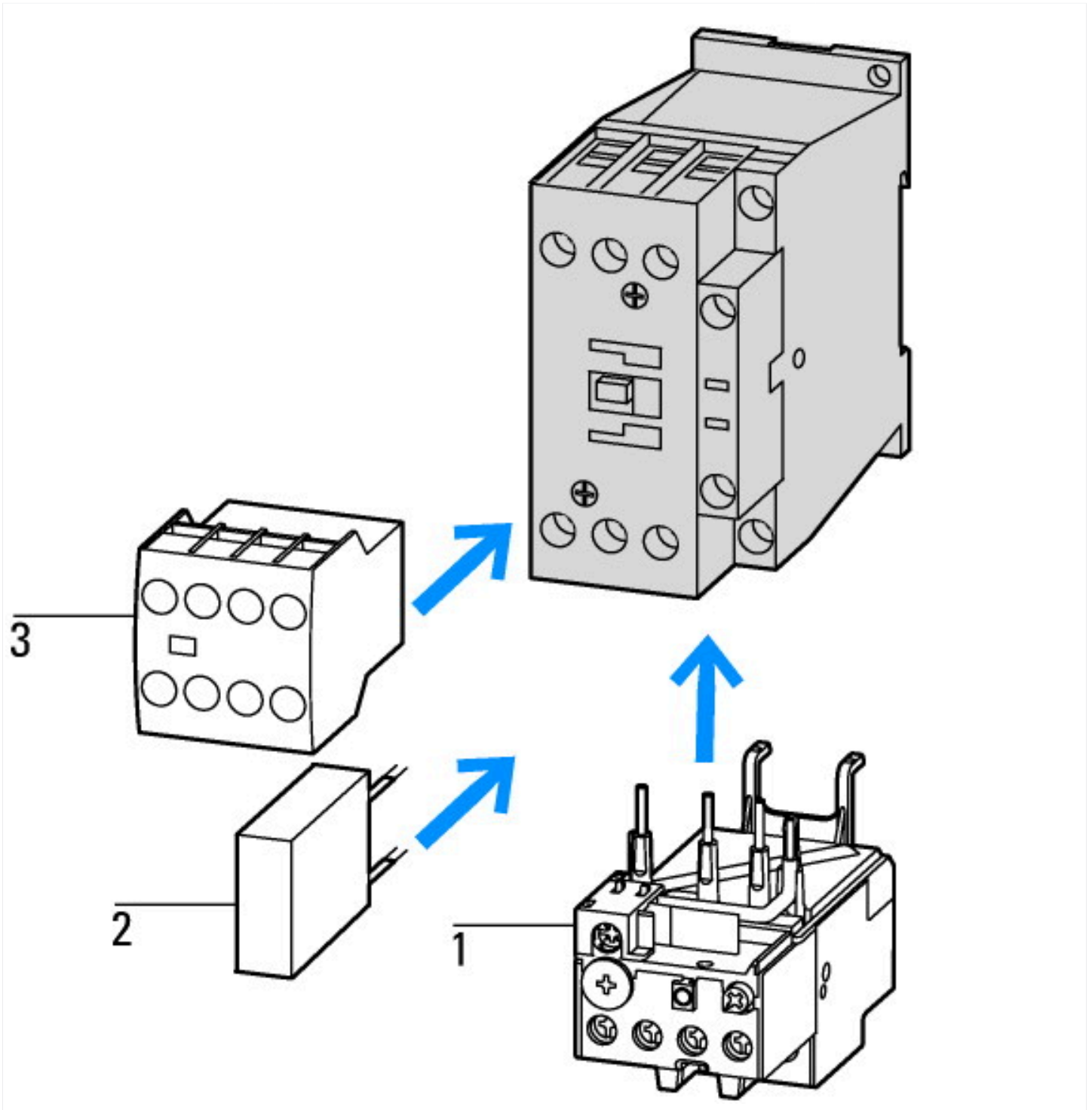
| Low-voltage industrial components (EG000017) / Power contactor, AC switching (EC000066) | | | |
|---|--|----|---------|
| Electric engineering, automation, process control engineering / Low-voltage switch technology / Contactor (LV) / Power contactor, AC switching (ecl@ss10.0.1-27-37-10-03 [AAB718015]) | | | |
| Rated control supply voltage U_s at AC 50HZ | | V | 24 - 24 |
| Rated control supply voltage U_s at AC 60HZ | | V | 0 - 0 |
| Rated control supply voltage U_s at DC | | V | 0 - 0 |
| Voltage type for actuating | | | AC |
| Rated operation current I_e at AC-1, 400 V | | A | 22 |
| Rated operation current I_e at AC-3, 400 V | | A | 15.5 |
| Rated operation power at AC-3, 400 V | | kW | 7.5 |
| Rated operation current I_e at AC-4, 400 V | | A | 7 |
| Rated operation power at AC-4, 400 V | | kW | 3 |
| Rated operation power NEMA | | kW | 7.4 |
| Modular version | | | No |
| Number of auxiliary contacts as normally open contact | | | 1 |
| Number of auxiliary contacts as normally closed contact | | | 0 |

| | | |
|--|--|------------------|
| Type of electrical connection of main circuit | | Screw connection |
| Number of normally closed contacts as main contact | | 0 |
| Number of main contacts as normally open contact | | 3 |

Approvals

| | | |
|--------------------------------------|--|--|
| Product Standards | | IEC/EN 60947-4-1; UL 60947-4-1; CSA - C22.2 No. 60947-4-1-14; CE marking |
| UL File No. | | E29096 |
| UL Category Control No. | | NLDX |
| CSA File No. | | 012528 |
| CSA Class No. | | 2411-03, 3211-04 |
| North America Certification | | UL listed, CSA certified |
| Specially designed for North America | | No |

Characteristics



- 1: Overload relay
- 2: Suppressor
- 3: Auxiliary contact modules



Normal AC induction motor
 Operating characteristics
 Switch on: from stop
 Switch off: during run
 Electrical characteristics:
 Switch on: up to 6 x Rated motor current
 Switch off: up to 1 x Rated motor current
 Utility category

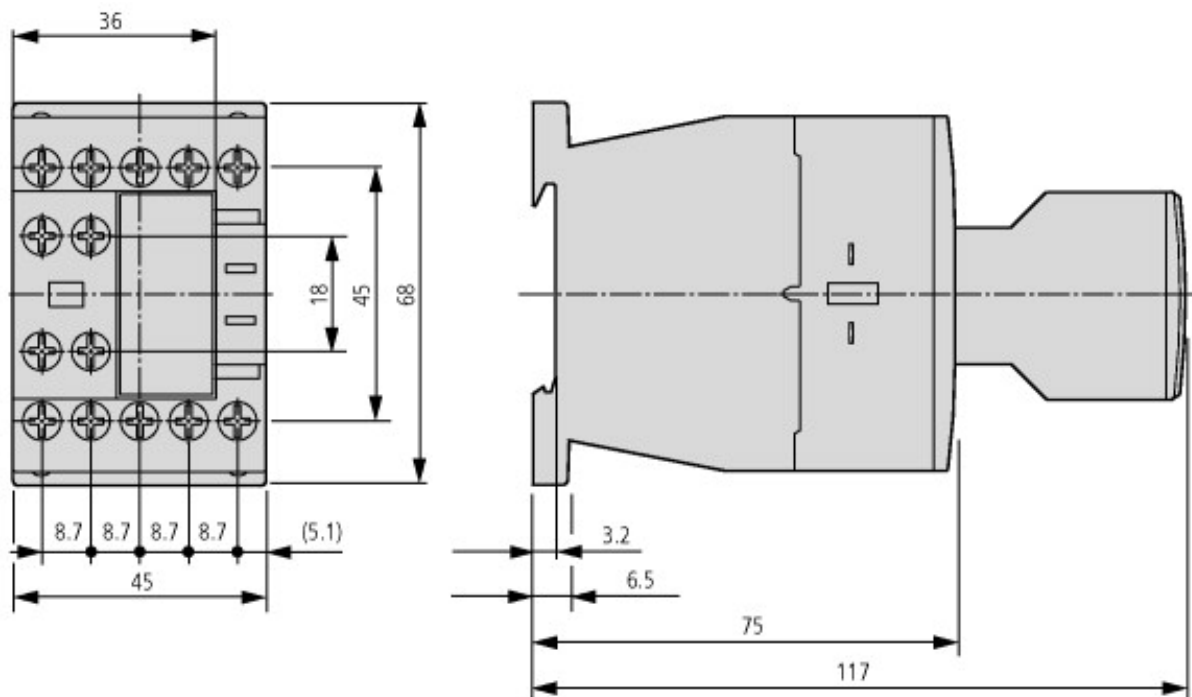


Extreme switching duty
 Normal AC induction motor
 Operating characteristics
 Inching, plugging, reversing
 Electrical characteristics:
 Switch on: up to 6 x Rated motor current
 Switch off: up to 6 x Rated motor current
 Utilization

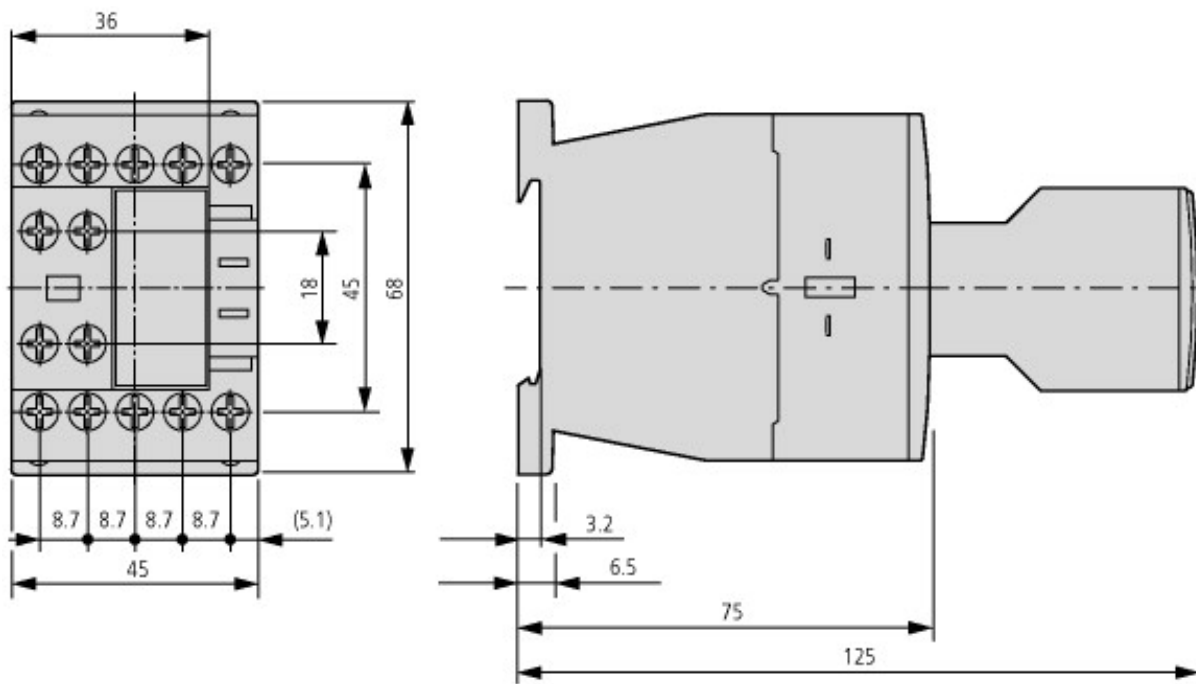


Switching conditions for non-motor consumers, 3 pole, 4 pole
 Operating characteristics
 Non inductive and slightly inductive loads
 Electrical characteristics
 Switch on: 1 x rated operational current
 Switch off: 1 x rated operational current
 Utilization category
 100 % AC-1
 Typical examples of application
 Electric heat

Dimensions



Contactor with auxiliary contact module DILM32-XHI.../DILA-XHI...



Contactor with auxiliary contact module DILA-XHIT...



Additional product information (links)

IL03407013Z (AWA2100-2126) Contactors

| | |
|--|---|
| IL03407013Z (AWA2100-2126) Contactors | ftp://ftp.moeller.net/DOCUMENTATION/AWA_INSTRUCTIONS/IL03407013Z2018_07.pdf |
| Motor starters and "Special Purpose Ratings" for the North American market | http://www.eaton.eu/ecm/groups/public/@pub/@europe/@electrical/documents/content/pct_3258146.pdf |
| Switchgear of Power Factor Correction Systems | http://www.moeller.net/binary/ver_techpapers/ver934en.pdf |
| X-Start - Modern Switching Installations Efficiently Fitted and Wired Securely | http://www.moeller.net/binary/ver_techpapers/ver938en.pdf |
| Mirror Contacts for Highly-Reliable Information Relating to Safety-Related Control Functions | http://www.moeller.net/binary/ver_techpapers/ver944en.pdf |
| Effect of the Cabel Capacitance of Long Control Cables on the Actuation of Contactors | http://www.moeller.net/binary/ver_techpapers/ver949en.pdf |
| Switchgear for Luminaires | http://www.moeller.net/binary/ver_techpapers/ver955en.pdf |

| | |
|--|---|
| Standard Compliant and Functionally Safe Engineering Design with Mechanical Auxiliary Contacts | http://www.moeller.net/binary/ver_techpapers/ver956en.pdf |
| The Interaction of Contactors with PLCs | http://www.moeller.net/binary/ver_techpapers/ver957en.pdf |
| Busbar Component Adapters for modern Industrial control panels | http://www.moeller.net/binary/ver_techpapers/ver960en.pdf |