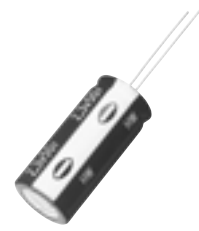


Radial lead Type

Series: **HW**



■ Features

- Can be discharged mA or more current.
- RoHS directive compliant

■ Recommended Applications

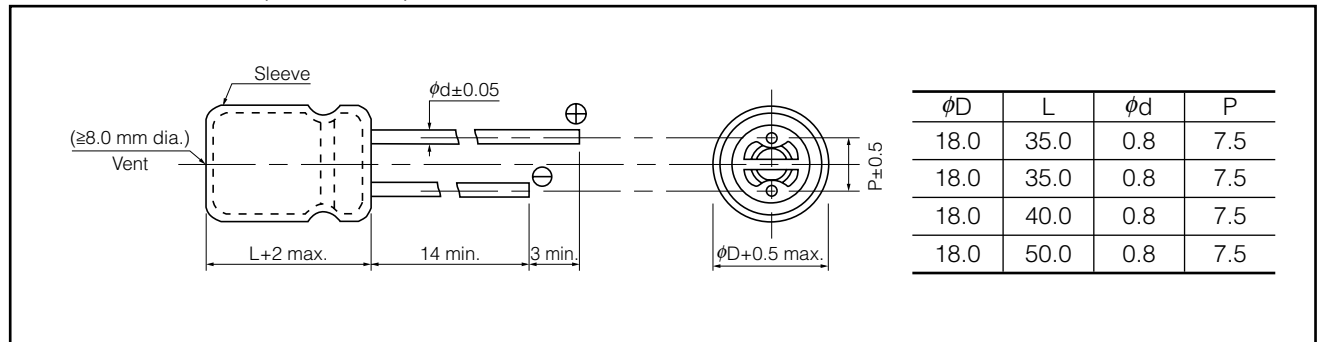
- Solar battery operated circuits (Road guidance flasher), Quick charging motor drives (Toy car)
- Back-up Power Supplies (UPS)

■ Specifications

Category	Temp. Range	-25 °C to +70 °C		-25 °C to +60 °C	
Maximum Operating Voltage		2.3 V.DC		2.3 V.DC	2.1 V.DC
Nominal Cap. Range		22 F		30, 50 F	70 F
Characteristics at Low Temperature	Capacitance change	±30 % of initial measured value at +20 °C (at -25 °C)			
	Internal resistance	≤4 times of initial measured value at +20 °C (at -25 °C)			
Endurance	After 1000 hours application of 2.3 V. DC at +70 °C (+60 °C), the capacitor shall meet the following limits.				
	Capacitance change	±30 % of initial measured value			
	Internal resistance	≤2 time of initial specified value			
Shelf Life	After 1000 hours storage at +70 °C (+60 °C) without load, the capacitor shall meet the specified limits for Endurance.				

■ Dimensions in mm(not to scale)

(Unit : mm)



■ Standard Products

* : 10 F or less HW series is not recommended for new design. Please consider HZ series.

Category temp. range (°C)	Maximum operating voltage (V.DC)	Capacitance (F)	Capacitance tolerance (F)	Internal resistance (Initial specified value) (Ω) at 1 kHz	Recommended discharge current (A)	Parts number	Mass (Reference value) (g)	Min. Packaging Q'ty (pcs)
-25 to +70	2.3	22	17.6 to 30.8	≤ 0.1	1 or less	EECHW0D226	12.0	50
		30	24.0 to 42.0	≤ 0.1	1 or less	EECHW0D306	14.0	50
-25 to +60	2.1	50	40.0 to 70.0	≤ 0.1	1 or less	EECHW0D506	15.0	50
		70	56.0 to 98.0	≤ 0.1	1 or less	EECHW0D706	19.0	50

Note : 1. Do not use reflow soldering. (IR, Atmosphere heating methods, etc.)
Please refer to the page of "Application Guidelines".