

NOTE: It is our policy to continually improve products and as such we reserve the right to alter data, specifications and component parts without prior notice. There may be alternative versions of this product, please contact us should you require this information.

IMPORTANT: No liability is accepted for incorrect use of product. Spare parts must be fitted by a competent person

WARRANTY: Guarantee is 12 months from purchase date, proof of which will be required for any claim.



Parts Information:
Horizontal Log Splitter
Model No: LS370H.V2 & LS520H.V2

Item	Part No.	Description
1	LS520HV2-01	Lever Nut
2	SN10.SD	Steel Nut M10 Domed
3	LS520HV2-03	Lever
4	LS520HV2-04	Lever Knob
5	LS520HV2-05	Lever Guard
6	LS520HV2-06	Customized Nut
7	LS520HV2-07	Copper Gasket
8	LS370HV2-08	Safety Valve Bolt M8 (For LS370HV2 only)
	LS520HV2-08	Safety Valve Bolt M8 (For LS520HV2 only)
9	LS520HV2-09	O-Ring, (Ex: 7.24 In: 3.68 Cs: 1.78)
10	LS520HV2-10	E-Clip 5.8mm
11	LS520HV2-11	Valve Spring Dia 11.8mm
12	LS520HV2-12	O-Ring, (Ex: 7.24 In: 3.68 Cs: 1.78)
13	LS520HV2-13	Valve Rod Ass'y
14	LS520HV2-14	Sliding Sleeve
15	LS370HV2-15	Sliding Sleeve Spring (For LS370HV2 only)
	LS520HV2-15	Sliding Sleeve Spring (For LS520HV2 only)
16	LS520HV2-16	Aluminum Cover (Rear)
17	LS520HV2-17	O-Ring 50x2.65
18	LS520HV2-18	Piston
19	LS520HV2-19	Piston Ring
20	LS520HV2-20	O-Ring 32x3.5
21	LS520HV2-21	Spring
22	LS370HV2-22	Stud Bolt
	LS520HV2-22	Stud Bolt
23	LS370HV2-23	Hydraulic Cylinder (For LS370HV2 only)
	LS520HV2-23	Hydraulic Cylinder (For LS520HV2 only)
24	LS370HV2-24	Aluminum Cover (Front) (For LS370HV2 only)
	LS520HV2-24	Aluminum Cover (Front) (For LS520HV2 only)
25	LS520HV2-25	Piston Rod Seal
26	LS520HV2-26	O-Ring 7x1.9
27	LS520HV2-27	Wing Bolt M5x12
28	FWM14.S	Flat Washer M14 Zinc
29	LS370HV2-29	Dipstick (For LS370HV2 only)
	LS520HV2-29	Dipstick (For LS520HV2 only)
30	LS370HV2-30	Piston Rod (For LS370HV2 only)
	LS520HV2-30	Piston Rod (For LS520HV2 only)
31	LS370HV2-31	Lift Handle (For LS370HV2 only)
	LS520HV2-31	Lift Handle (For LS520HV2 only)
32	SCB616.SB	Socket Head Cap Screw M6x16 Black
33	LS370HV2-33	Frame (For LS370HV2 only)
	LS520HV2-33	Frame (For LS520HV2 only)
34	LS370HV2-34	Lead Plate
	LS520HV2-34	Lead Plate
35	SWM6.SB	Spring Washer M6 Black
36	SCB612.SB	Socket Head Cap Screw M6x12 Black

Item	Part No.	Description
37	SN14.SB	Steel Nut M14 Black
38	FWM14.SB	Flat Washer M14 Black (Single)
39	LS520HV2-39	Half Nut M14
40	LS370HV2-40	Drain Plug (For LS370HV2 only)
	LS520HV2-40	Drain Plug (For LS520HV2 only)
41	FWM16.SB	Flat Washer M16 Black
42	LS520HV2-42	Valve Sleeve
43	LS520HV2-43	O-Ring 10x2
44	GSM58.S	Grub Screw M5X8 (Single)
45	SB-6.0	Steel Ball 6.0mm
46	LS520HV2-46	Valve Spring
47	GSM88.S	Grub Screw M8x8 (Single)
48	LS370HV2-48	Log Pusher Connection (For LS370HV2 only)
	LS520HV2-48	Log Pusher Connection (For LS520HV2 only)
49	LS520HV2-49	Lower Plastic Insert
50	LS520HV2-50	Upper Plastic Insert
51	LS520HV2-51	Log Pusher
52	SN10.S	Steel Nut M10 Zinc
53	FWM10.S	Flat Washer M10 Zinc
54	SS1025.S	Hex Head Set Screw M10 x 25 Zinc
55	LS520HV2-55	Wheel Cap
56	LS370HV2-56	Shaft Circlip A14 (For LS370HV2 only)
	LS520HV2-56	Shaft Circlip A14 (For LS520HV2 only)
57	LS370HV2-57	Wheel (For LS370HV2 only)
	LS520HV2-57	Wheel (For LS520HV2 only)
58	FWM6.S	Flat Washer M6 Zinc
59	LS520HV2-59	Wheel Frame Plate
60	HHB855.S	Hex Head Bolt M8 x 55 Zinc
61	SWM8.S	Spring Washer M8 Zinc
62	FWM8.S	Flat Washer M8 Zinc
63	LS370HV2-63	Gear Pump Cover (For LS370HV2 only)
	LS520HV2-63	Gear Pump Cover (For LS520HV2 only)
64	LS520HV2-64	O-Ring, (Ex: 16.01 In: 10.77 Cs: 2.62)
65	LS520HV2-65	Gear Housing Plate
66	LS520HV2-66	Circlip 10mm
67	LS520HV2-67	Gear Shaft
68	SB-2.5	Steel Ball 2.5mm
69	LS520HV2-69	Pump Gear
70	LS520HV2-70	Pin 2.5x4
71	FWM6.S	Flat Washer M6 Zinc
72	LS520HV2-72	Bolt M5x180
73	LS520HV2-73	Motor Cover
74	LS520HV2-74	Motor Shaft Seal FB11x26x7
75	SN8.S	Steel Nut M8 Zinc
76	SCB835.SB	Socket Cap Bolt M8 X 35 Black
77	LS370HV2-77	Motor (For LS370HV2 only)

NOTE: It is our policy to continually improve products and as such we reserve the right to alter data, specifications and component parts without prior notice. There may be alternative versions of this product, please contact us should you require this information.

IMPORTANT: No liability is accepted for incorrect use of product. Spare parts must be fitted by a competent person

WARRANTY: Guarantee is 12 months from purchase date, proof of which will be required for any claim.

Sealey Group, Kempson Way, Suffolk Business Park, Bury St Edmunds, Suffolk. IP32 7AR



01284 757500



01284 703534



sales@sealey.co.uk



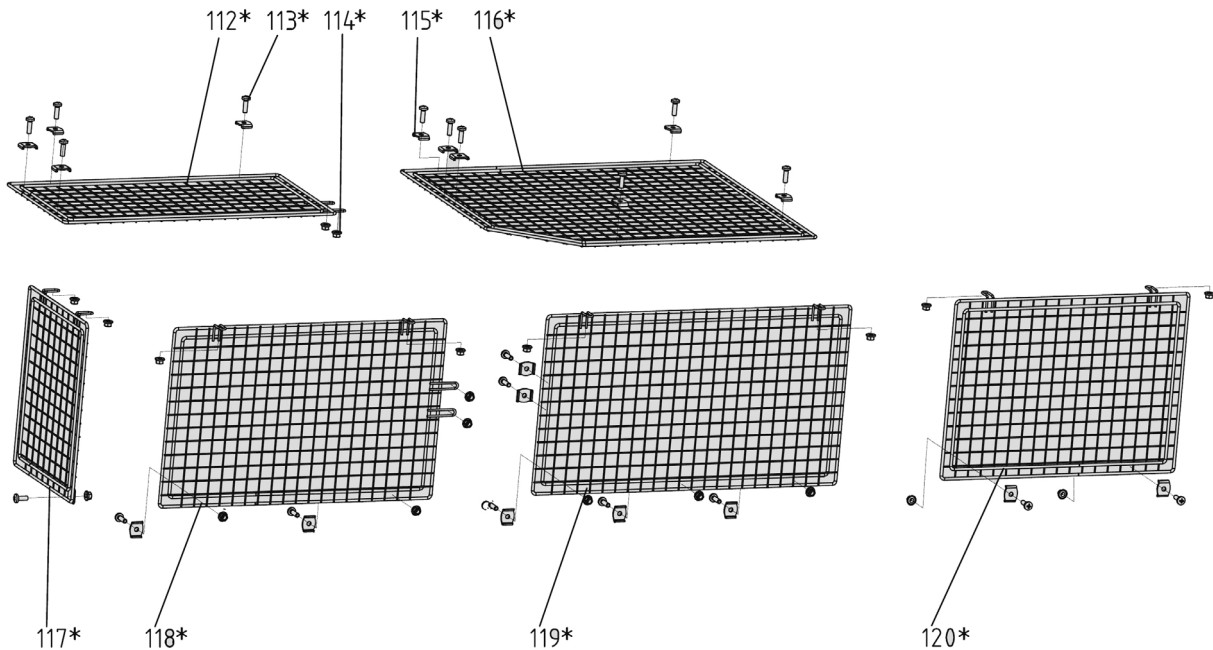
www.sealey.co.uk



Parts Information: Horizontal Log Splitter Model No: LS370H.V2 & LS520H.V2

Item	Part No.	Description
77	LS520H.V2-77	Motor (For LS520H.V2 only)
78	LS520H.V2-78	Motor Fan
79	RE231.V3-15	Ext Circlip 12.7mm Id.
80	LS520H.V2-80	Motor Cover
81	SWM5.S	Spring Washer M5 Zinc
82	LS520H.V2-82	Screw M5x10
83	LS520H.V2-83	Leg
84	SN8.S	Steel Nut M8 Zinc
85	LS520H.V2-85	Carriage Bolt M8x12
86	LS520H.V2-86	Cable & Plug
87	SCB816.SB	Socket Head Cap Screw M8x16 Black
88	LS520H.V2-88	Cable Gland
89	FWM5.S	Flat Washer M5 Zinc
90	LS520H.V2-90	Screw M4x10
91	LS520H.V2-91	Switch Box Cover
92	LS520H.V2-92	Airproof Gasket
93	LS520H.V2-93	Connection Terminal
94	LS520H.V2-94	Capacitor
95	LS520H.V2-95	Switch
96	LS520H.V2-96	Switch Box
97	LS520H.V2-97	Waterproof Gasket
98	LS520H.V2-98	Motor Support Shoe (Left)
99	LS520H.V2-99	Motor Support Shoe (Right)
100	LS520H.V2-100	Pin 8x24
101	LS520H.V2-101	O-Ring, (Ex: 50.91 In: 47.35 Cs: 1.78)

Item	Part No.	Description
102	LS520H.V2-102	Sliding Sleeve / Sliding Sleeve
103	SS830.S	Hex Head Set Screw M8 x 30 Zinc
104	SWM14.S	Spring Washer M14 Zinc
105	SCB612.SB	Socket Head Cap Screw M6x12 Black
106	LS370H.V2-106	Guard Bottom Plate (For LS370H.V2 only)
	LS520H.V2-106	Guard Bottom Plate (For LS520H.V2 only)
107	NLN6.S	Nyloc Nut M6 Zinc
108	LS370H.V2-108	Log Tray (A) (For LS370H.V2 only)
	LS520H.V2-108	Log Tray (A) (For LS520H.V2 only)
109	LS520H.V2-109	Support Strut (A)
110	LS370H.V2-110	Log Tray (B) (For LS370H.V2 only)
	LS520H.V2-110	Log Tray (B) (For LS520H.V2 only)
111	LS520H.V2-111	Support Strut (B)
112	LS370H.V2-112	Top Guard Plate (B) (For LS370H.V2 only)
	LS520H.V2-112	Top Guard Plate (B) (For LS520H.V2 only)
113	LS520H.V2-113	Screw M6x20
114	NLN6.S	Nyloc Nut M6 Zinc
115	LS520H.V2-115	U-Spacer
116	LS520H.V2-116	Top Guard Plate (A)
117	LS520H.V2-117	Left Guard Plate
118	LS370H.V2-118	Rear Guard Plate (B) (For LS370H.V2 only)
	LS520H.V2-118	Rear Guard Plate (B) (For LS520H.V2 only)
119	LS520H.V2-119	Rear Guard Plate (A)
120	LS520H.V2-120	Front Guard Plate



NOTE: It is our policy to continually improve products and as such we reserve the right to alter data, specifications and component parts without prior notice. There may be alternative versions of this product, please contact us should you require this information.

IMPORTANT: No liability is accepted for incorrect use of product. Spare parts must be fitted by a competent person

WARRANTY: Guarantee is 12 months from purchase date, proof of which will be required for any claim.

Sealey Group, Kempson Way, Suffolk Business Park, Bury St Edmunds, Suffolk. IP32 7AR



01284 757500



01284 703534



sales@sealey.co.uk



www.sealey.co.uk