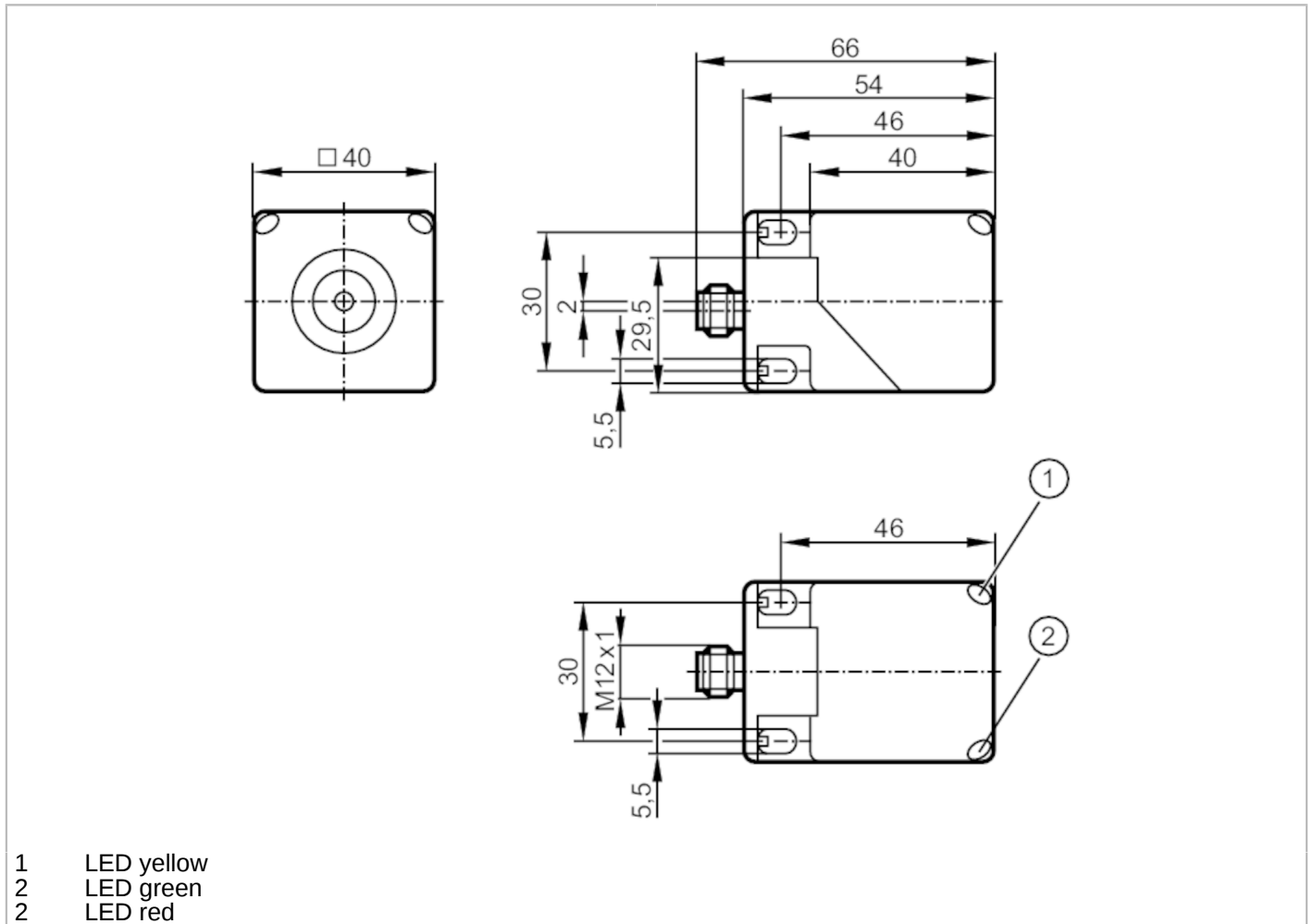


DTC510



RFID read/write head HF

DTCHF MCRWCOUS03



Application	
Radio approval for	Europe; USA; Canada; Japan; Australia; China; Taiwan; India; Singapore
Electrical data	
Operating voltage [V]	9...32 DC
Current consumption [mA]	≤ 50 (24 V) / ≤ 80 (12 V)
Protection class	III
Operating frequency [MHz]	13,56
RFID standard	ISO 15693
Detection zone	
Distance to the ID tag [mm]	≤ 60
Interfaces	
Communication interface	CAN
CAN	
Protocol	CANopen

DTC510



RFID read/write head HF

DTCHF MCRWCOUS03

Operating conditions		
Ambient temperature	[°C]	-20...60
Storage temperature	[°C]	-25...80
Protection		IP 67; IP 69K
Tests / approvals		
EMC	EN 301489-3	V 1.6.1
Shock resistance	EN 60068-2-27	40 g 6 ms / repetitive
	EN 60068-2-27	50 g 11 ms / not repetitive
Vibration resistance	EN 60068-2-6	20 g 10...2000 Hz
Radio approval	EN 300 330 V2.1.0	
Mechanical data		
Weight	[g]	189
Housing		rectangular
Sensing face		5 positions selectable
Dimensions	[mm]	40 x 40 x 54
Materials		housing: PA; metal parts: stainless steel
Displays / operating elements		
Display	Preoperational Mode	1 x LED, green lights
	Operational Mode	1 x LED, green flashing
	tag communication	1 x LED, yellow lights
	errors	1 x LED, red flashing
Remarks		
Remarks	For the distances to other ID tags see the respective data sheet (E803xx)	
Pack quantity	1 pcs.	
Electrical connection		
1	not used	
2	U+	
3	grounding	
4	CAN_H	
5	CAN_L	
Connector: 1 x M12, rotatable, locking		