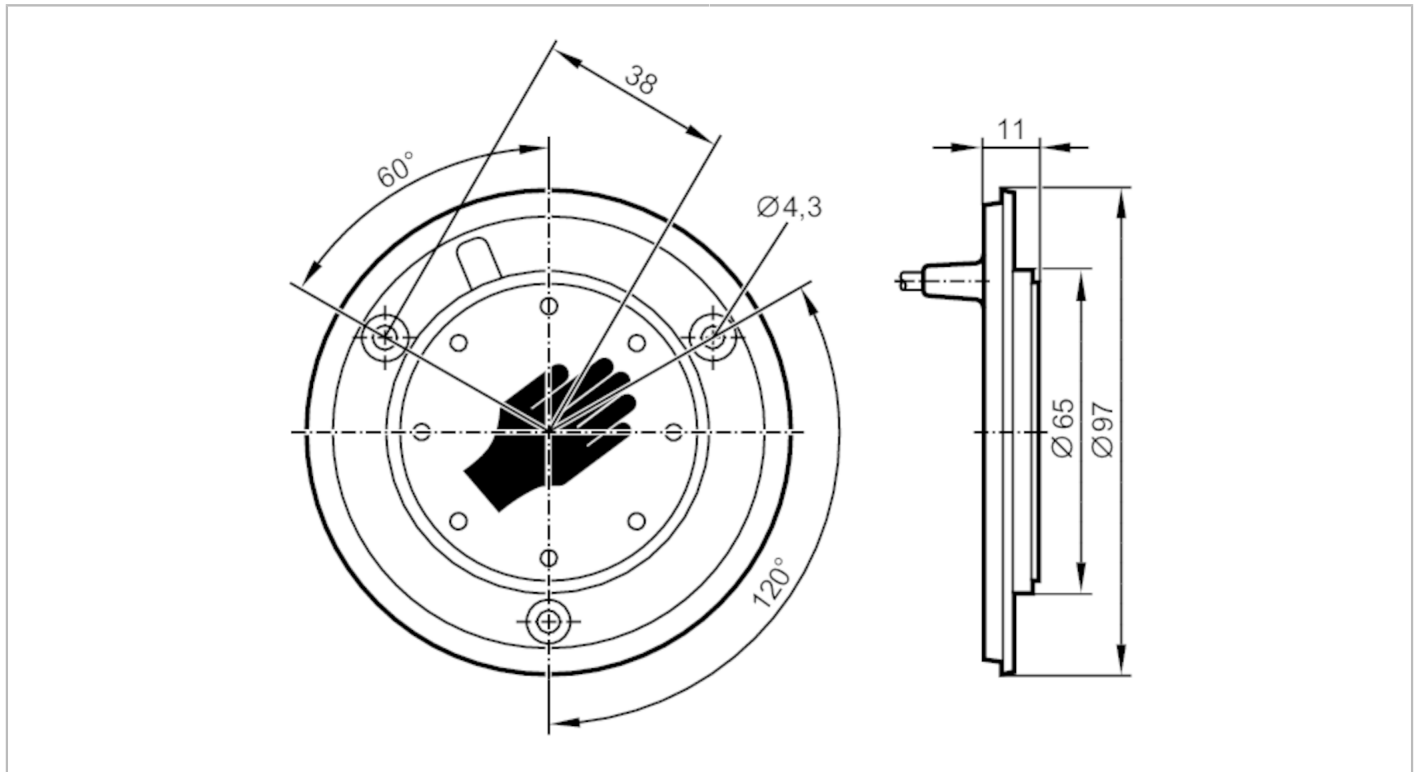


KT5050



Capacitive touch sensor

KTRSH-KGRBPKG/2M



Product characteristics

Electrical design	PNP
Output function	normally open
Dimensions [mm]	Ø 96.9 / L = 11

Application

Operating principle	static
Application	reduced sensitivity

Electrical data

Operating voltage [V]	12...30 DC
Current consumption [mA]	30
Protection class	III
Reverse polarity protection	yes
Max. power-on delay time [ms]	500

Outputs

Electrical design	PNP
Output function	normally open
Permanent current rating of switching output DC [mA]	200
Short-circuit protection	yes
Overload protection	yes

Response times

Response time [ms]	35
--------------------	----

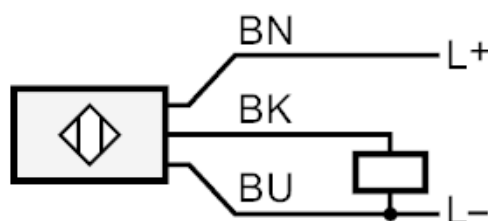
KT5050



Capacitive touch sensor

KTRSH-KGRBPKG/2M

Operating conditions		
Ambient temperature	[°C]	-40...85
Protection		IP 65; IP 67; IP 69K; (on the front)
Mechanical data		
Weight	[g]	142
Dimensions	[mm]	Ø 96.9 / L = 11
Materials		active face: PA Grilamid TR 90UV transparent; housing: PC/ABS black
Displays / operating elements		
Display	switching status	8 x LED, red
	operation	8 x LED, green
Accessories		
Accessories (optional)		surround in different colours
Remarks		
Pack quantity		1 pcs.
Electrical connection		
Cable: 2 m, PUR		
Connection		



Core colours :

BK =	black
BN =	brown
BU =	blue