

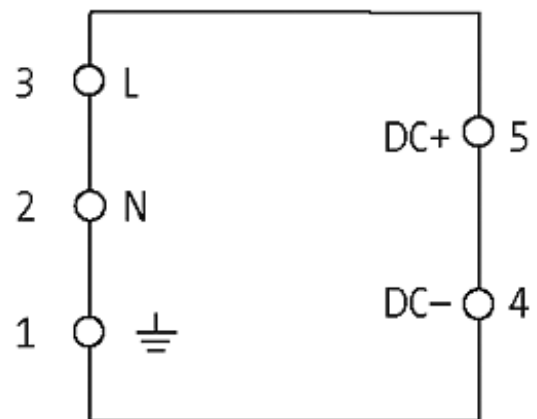
MCS-B POWER SUPPLY 1-PHASE,

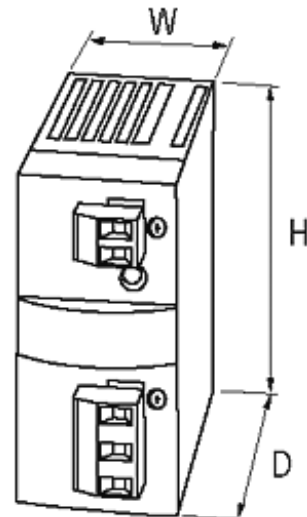
IN: 95-265VAC OUT: 24V/2,5ADC

INPUT: 95...265 V AC

OUTPUT: 24 V DC +3/-1%

Current: 2.5 A

[Link to Product](#)**Illustration**



Product may differ from Image

Approvals



Input

Input voltage	95...265 V AC; 110...300 V DC
Input current	1.04 A (110 V AC); 0.63 A (230 V AC)
Inrush current after 1 ms	max. 20 A
Primary fusing external	max. 10 A
Frequency	50...60 Hz

General data

Standards	(EN 60950-1), (EN 61204-3), (EN 55022 B), (EN 61000-3-2)
Relative humidity	5...95 %, no condensation
Efficiency	85 % (110 V AC); 87 % (230 V AC)
Dimensions H x W x D	76x38x108 mm
Mounting method	DIN-rail mountable TH35 (EN 60715)
Temperature range	0...+40 °C, ...+50 °C derating (storage temperature -20...+85 °C)

Output

Output voltage	24 V DC (SELV), ± 1 %; 22...28 V adjustable
Output current	2.5 A (+40 °C); 2.0 A (+55 °C)
Mains failure bridging time	min. 15 ms (110 V AC); min. 80 ms (230 V AC)
Ripple	max. 50 mVrms
Spikes	max. 120 mV p-p
Unit protection	short-circuit and overload protected
LED display	LED (green) for output voltage
Parallel usage/serial usage	max. 5 units/max. 2 units

Commercial data

country of origin	CZ
customs tariff number	85044090
minimum order quantity	1