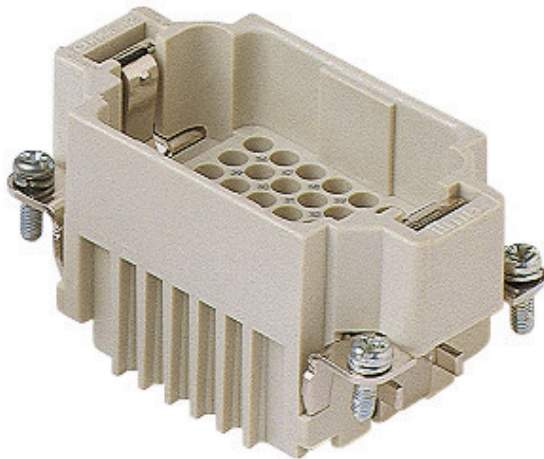


Item code

# CDDM 42



## Brief description:

male insert, 42 poles + PE, crimp connections, 10A 250V, 4kV, 2, size "57.27", CLASS insert series

Product description	
Model	male insert
Version	crimp connections
Series	CDD
Product type	for male contacts 10A
Family	CLASS inserts
Size	size "57.27"
N° of poles	42 poles +
Technical data	
Current	10 A
Voltage	250 V
Sustained impulse voltage	4kV
Pollution degree	2
Operating temperature range (min, max)	-50°C ... +70°C
Plugging cycles	≥ 200
IP degree of protection	IP20 without enclosure; IP65/IP66/IP67/IP68 with enclosure
Connection type PE	Screw
Stripping length PE connection	7 mm
Wire cross section PE	0,14 - 4 mm <sup>2</sup> ; AWG 20 - 12
Tightening torque for PE connection (screwdriver)	M4: 1,2 Nm, 10,6 lb.in (Ph2 or 1,0x5,5mm )
Other technical details	
Characteristics according to EN61984	10A 250V 4kV 2
Insulation resistance	≥ 1 GΩ
Contact resistance	≤ 3 mΩ
Rated voltage according to UL/CSA	600V
UL 94 flammability rating	V-0
Tightening torque for fixing screws (screwdriver)	M3: 0.5 Nm; 4.4 lb.in (Ph1 or 0.8x4 mm)
Weight	45,00 g

Approvals / Standards	
Reference standard	EN 61984 (2001-11)
Quality mark	, EAC
Conformity	CQC, CE
General ordering information	
EAN code	8015747014113
Tariff number	85369095
Country of origin	Made in EU (IT)
ETIM classification	EC000438
Packaging Information	
Packaging length	210,00 mm
Packaging height	130,00 mm
Packaging width	240,00 mm
Packaging weight	2,00 kg
Packaging volume	6,55 dm <sup>3</sup>
Packaging description	Carton box
Packaging quantity	30 Pcs
Packaging EAN code	8015747014120
Sub-packaging weight	0,33 kg
Sub-packaging description	Carton
Sub-packaging quantity	5 Pcs
Sub-packaging EAN barcode	8015747014137

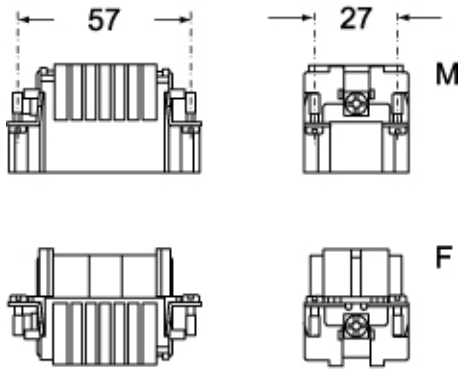
Item code

# CDDM 42

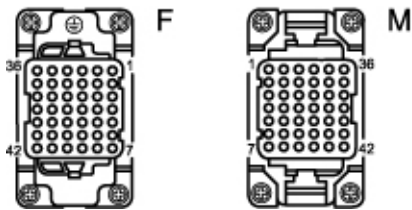


Catalogue drawings

## CDDM 42



## CDDF 42



Catalogue drawings

diagram CDD 42 poles

