

## Dot laser, green, 532 nm, 10 mW

DD532-10-5(21x21x50)  
Order Number: 70101225

Main Parameters (*)	min	typ	max	Unit
Wavelength		532		nm
Optical Output Power		10		mW
Operating Voltage	4.5	5	5.5	V DC
Operating Current	200	350	400	mA
Operating Temperature	15		30	°C
Storage Temperature	-40		80	°C

### Main Data

Warranty 1 years

### Technical Parameters

Lifetime > 5,000 h  
RoHS yes

### Optical Parameters

Beam Shape	Dot
Laser Class	3B
Divergence	D - 0.5 mrad
Beam Diameter	3.5 mm
Size of Laserdot	<5mm@5m
Operating Distance	200 m
Optics	glass lens AR coated
Beam Mode	TEM00
Laser technology	Solid State (YVO4+KTP)
Stability	+/- 20% @ 15-30°C
Focus	collimated
Warm up time	< 15 min

### Electrical Parameters

Potential of Housing isolated

### Mechanical Parameters

Size	21x21x50 mm
Material	aluminium
Cable length	280 mm
Wire type	26AWG, 0,14mm <sup>2</sup>
Output Aperture	5 mm
Housing Color	black
Weight	54 g

(\*) Over the complete operating temperature range

## Features



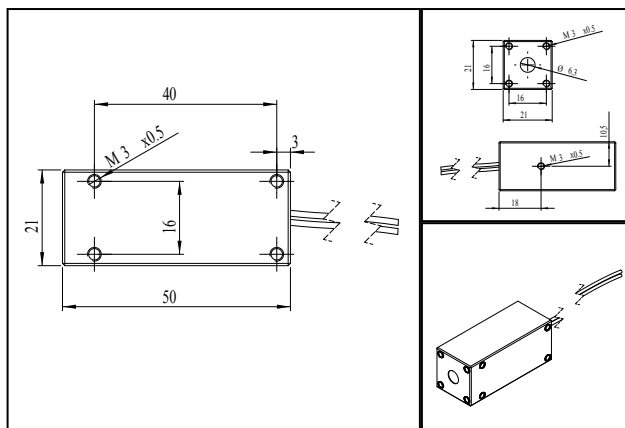
## Picture



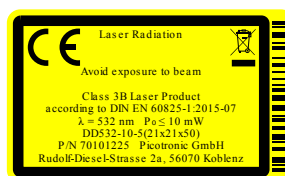
## Cable color

Ground		black	GND
positive		red	4.5 - 5.5, typ 5 V DC

## Drawing



## Safety Label



**Valid Revision**

---

3 | 20-MAR-2013