



LED Retrofit 5.9W E14,E27,B22



Product Overview

LED retrofit lamps are direct replacements for conventional incandescent, halogen, and compact fluorescent (CFL) lamps.

LEDs deliver higher lumens per watt (lm/W) which means significant energy savings while lasting more than ten times longer than incandescent sources. With their directional light, instant on and ability to dim, LEDs are fast becoming the light source of choice.

Features

- More eco-valued.
- Up to 85% energy saving.

Safety and Maintenance

- Switch off supply before installing or removing lamp.
- Allow to cool before handling.
- Do not use in totally enclosed fittings as this will reduce lamp life.
- Do not dispose of in household waste.
- Dispose of in appropriate section of local civic amenity site or recycling centre.

Specifications – E14,E27,B22 Cap

SKU	S8841,S8697	S8839,S8696	S8838,S8695
Lamp Cap	E14	E27	B22
Nominal Power (W)	5.9	5.9	5.9
Voltage	220-240Vac 50-40Hz	220-240Vac 50-40Hz	220-240Vac 50-40Hz
Current (mA)	51	51	51
Nominal Luminous Flux (lm)	470	470	470
CCT (K)	2700K Warm white	2700K Warm white	2700K Warm white
Nominal Lifetime (h)	15000	15000	15000
Dimmable	No	No	No
Switching Cycles	15000	15000	15000
Warm-up time to 60% (S)	0.10	0.10	0.10
Length (mm)	78	74	73
Diameter (mm)	45	45	45
Mercury (mg)			
Clean-up instructions	See website	See website	See website
Retrofit	Yes	Yes	Yes
Equivalent Wattage (W)	40	40	40
Rated Power (W)	5.9	5.9	5.9
Rated Luminous Flux (lm)	470	470	470
Rated Lifetime (h)	15000	15000	15000
Power Factor	0.50	0.50	0.50
Rated Peak Candelas (cd)	80	80	80
Lumen Maintenance Factor at			
Nominal Lifetime	15000	15000	15000
CRI	80	80	80
Start Time (s)	0.50	0.50	0.50
Ambient Temperature Range (°C)	-20 to 40	-20 to 40	-20 to 40

Energy Label – E14,E27,B22 Cap

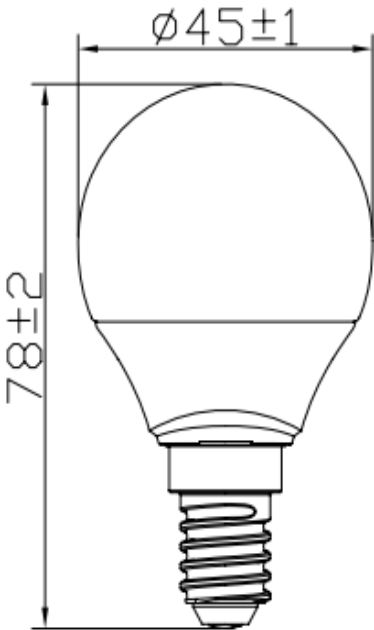
Energy Class	A+	A+	A+
Energy Consumption (kWh/1000)	5.9 (5.9)*	5.9 (5.9)*	5.9 (5.9)*

* The kWh/1000h value published on the energy label is required to be rounded up to an integer according to the EU implementing directive on Energy Labelling. The value to 2 decimal places is given for reference.

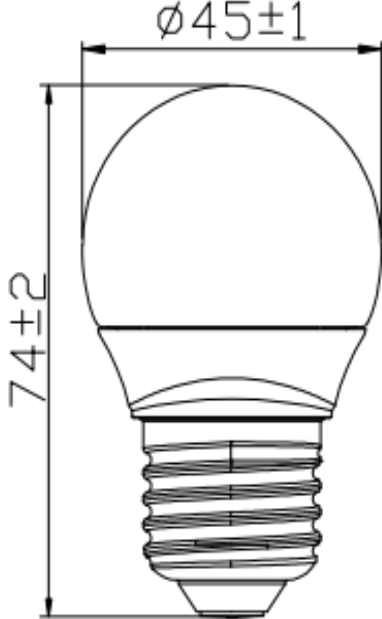
Product Markings – E14,E27,B22 Cap

Voltage	220-240Vac 50-40Hz	220-240Vac 50-40Hz	220-240Vac 50-40Hz
Nominal Power (W)	5.9	5.9	5.9
Current (mA)	51	51	51
CE Mark	Yes	Yes	Yes
WEEE Mark	Yes	Yes	Yes
Batch Code	Yes	Yes	Yes

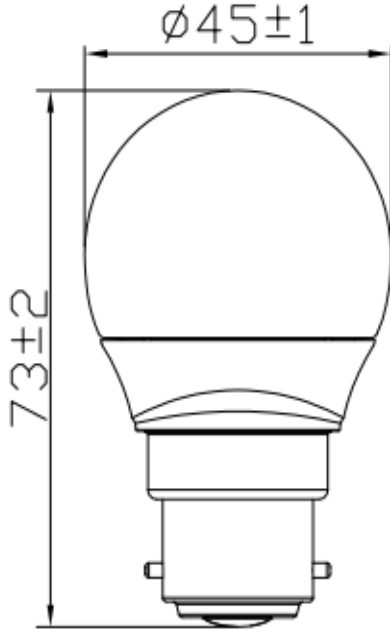
Dimensions



S8841,S8697



S8839,S8696



S8838,S8695

Photometric Information

2700K

