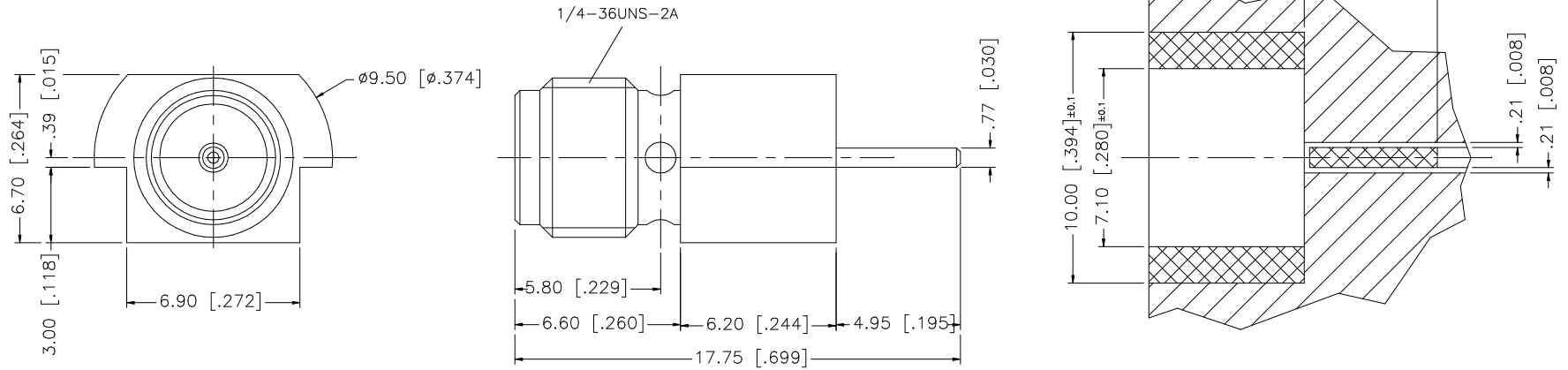


| REV. | DATE     | DESCRIPTION     |
|------|----------|-----------------|
| NC   | 04/06/06 | INITIAL RELEASE |



|   |             |             |         |     |
|---|-------------|-------------|---------|-----|
| 8 |             |             |         |     |
| 7 |             |             |         |     |
| 6 |             |             |         |     |
| 5 |             |             |         |     |
| 4 |             |             |         |     |
| 3 | CONTACT PIN | BER. COPPER | GOLD    | 1   |
| 2 | INSULATOR   | TEFLON      | NATURAL | 1   |
| 1 | BODY        | BRASS       | GOLD    | 1   |
|   | DESCRIPTION | MATERIAL    | FINISH  | QTY |

UNLESS OTHERWISE SPECIFIED DIMENSIONS ARE IN MILLIMETERS. DIMENSIONS IN [ ] ARE IN INCHES AND FOR CUSTOMER REFERENCE ONLY.

UNLESS OTHERWISE SPECIFIED TOLERANCES FOR MILLIMETERS ARE:  
0.5 - 8mm ± 0.20mm  
8 - 30mm ± 0.40mm  
30 - 120mm ± 0.50mm

UNLESS OTHERWISE SPECIFIED TOLERANCES FOR INCHES ARE:  
.020 - .315 = ± 0.007"  
.315 - 1.180 = ± 0.015"  
1.180 - 4.724 = ± 0.020"

DO NOT SCALE DRAWING

| APPROVALS    | DATE               |
|--------------|--------------------|
| DRAWN G.R.S. | 04/06/06           |
| CHECKED      |                    |
| ISSUED       |                    |
| SHEET 1 OF 1 |                    |
| CAD FILE     | C:/132/1132372.DWG |

# Amphenol Connex

|   |            |         |          |
|---|------------|---------|----------|
| PART DESCRIPTION                        |            |         |          |
| SMA END LAUNCH SURFACE MOUNT RECEPTACLE |            |         |          |
| PART NO. 132372                         |            |         |          |
| DWG. NO.                                | 132372.DWG | REV. NC | SCALE NA |