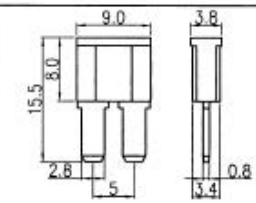
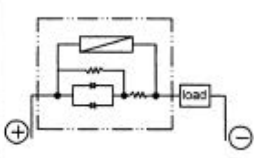
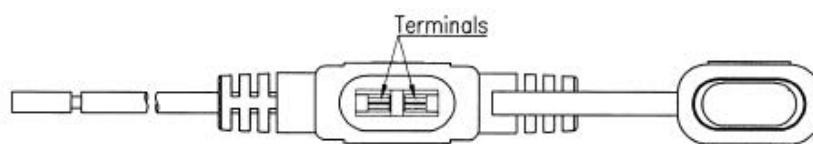
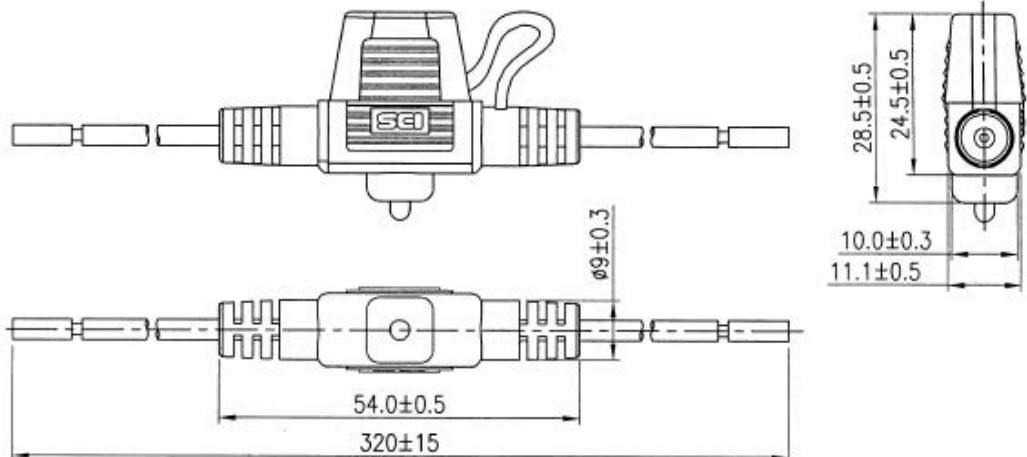
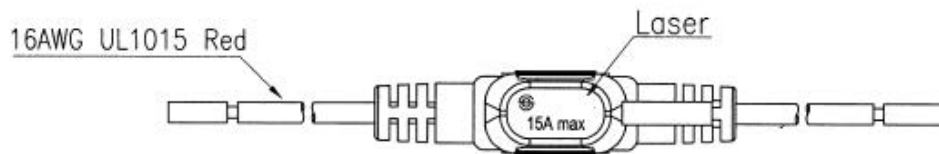
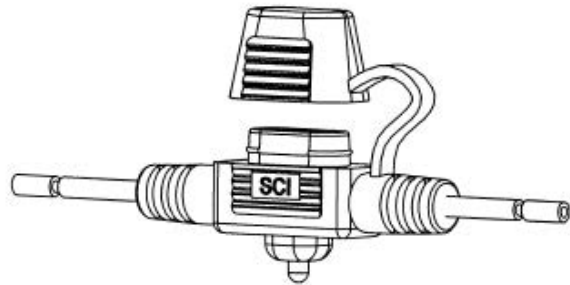


In line fuse holder, wire: 16AGW

Rating	15A 12-24V DC	Micro Blade Fuse Dim	Circuit Diagram
Insulation Resistance	DC 500V 100MΩ Min.		
Dielectric Strength	AC 1000V 1 minute		
Operation Temperature	-20° C _T +85° C		
Fuse Specifications	For Micro Blade Fuses Used Only		

Material:
 Body : Black,PVC(T105°C).
 Red LED indicates when fuse is broken.
 Waterproof: IPX6
 None plarity limited.



Unit: mm

This is a publication by Conrad Electronic SE, Klaus-Conrad-Str. 1, D-92240 Hirschau (www.conrad.com).

All rights including translation reserved. Reproduction by any method, e.g. photocopy, microfilming, or the capture in electronic data processing systems require the prior written approval by the editor. Reprinting, also in part, is prohibited. This publication represents the technical status at the time of printing.

© Copyright 2017 by Conrad Electronic SE.